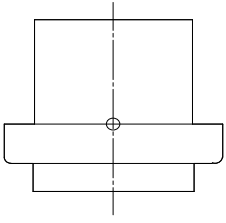
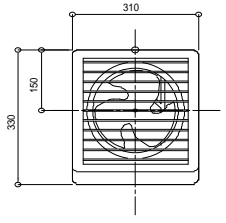
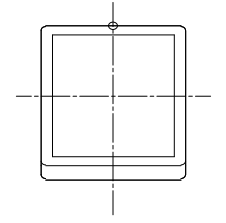
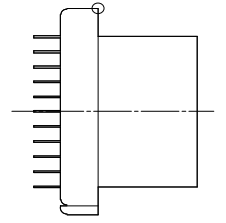
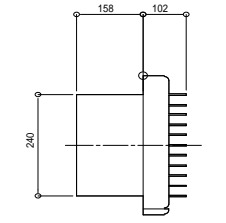
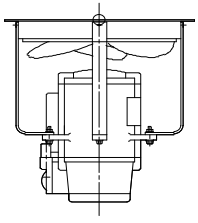
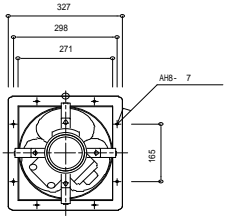
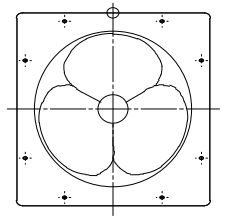
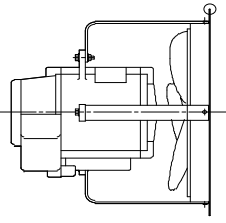
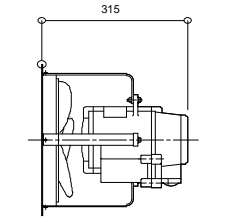
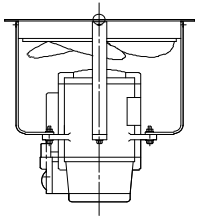
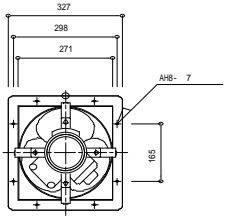
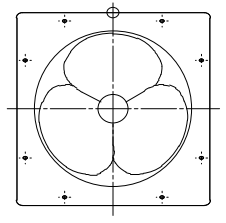
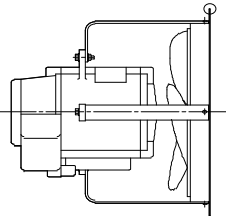
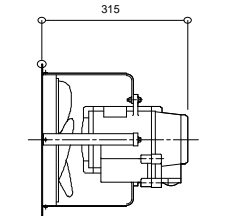
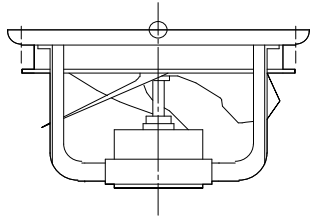
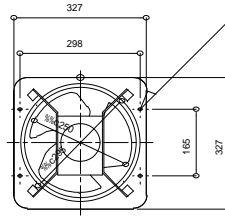
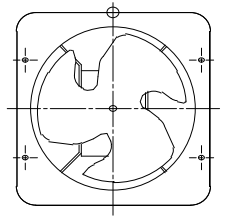
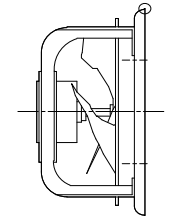
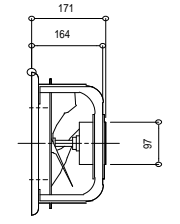
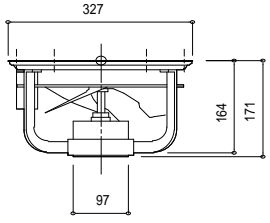
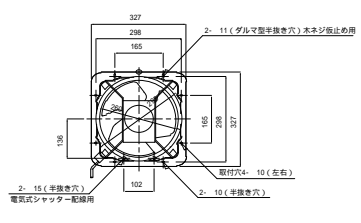
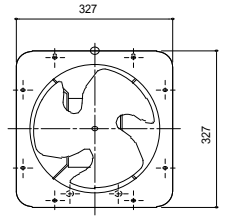
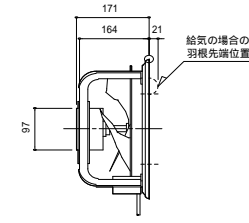
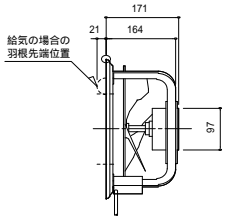
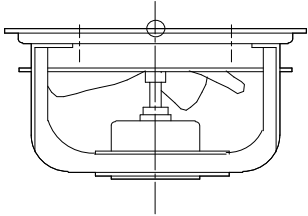
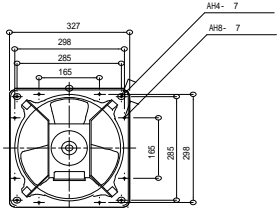
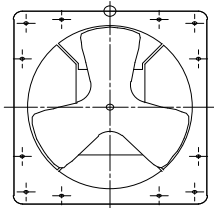
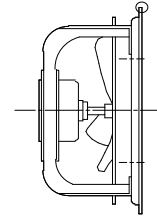
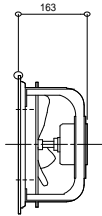
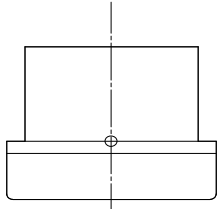
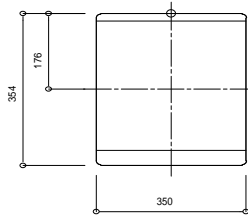
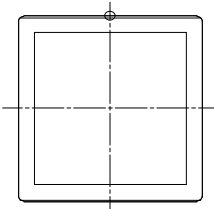
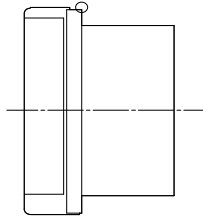
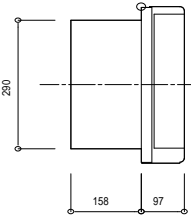
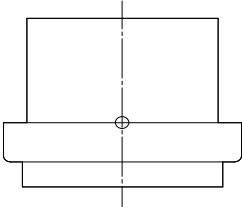
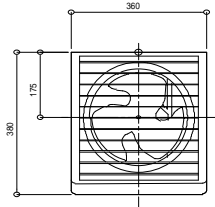
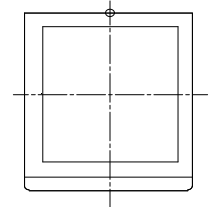
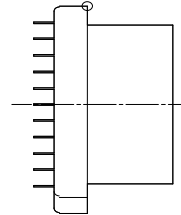
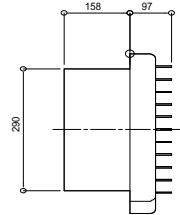
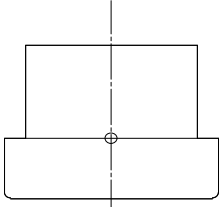
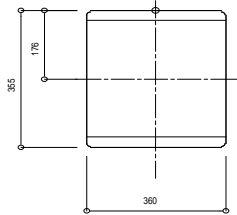
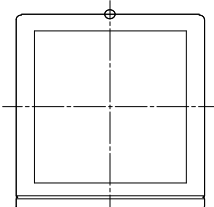
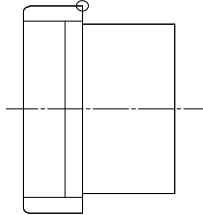
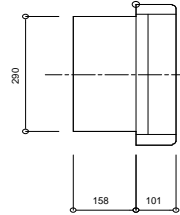
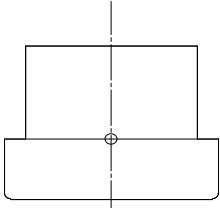
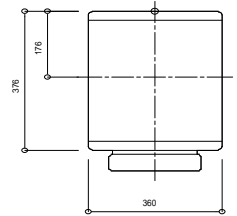
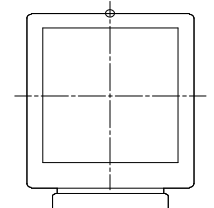
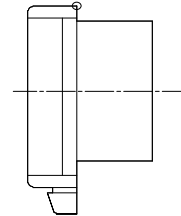
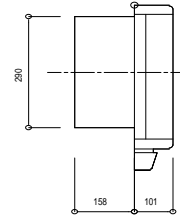
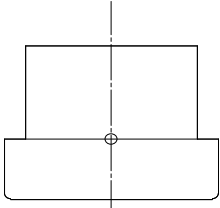
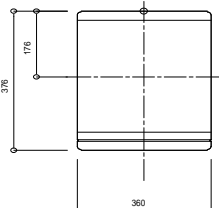
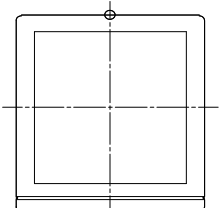
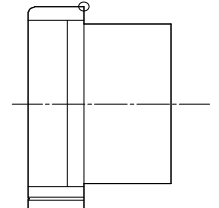
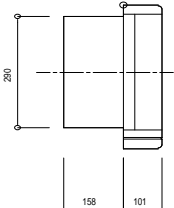
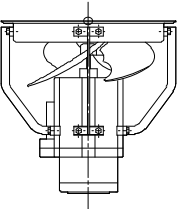
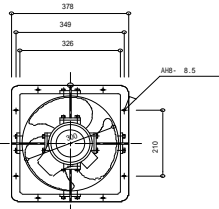
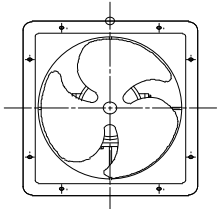
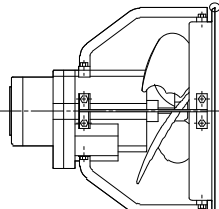
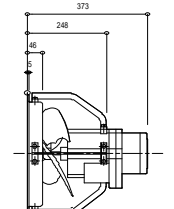
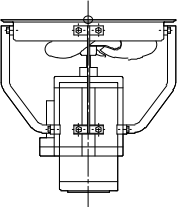
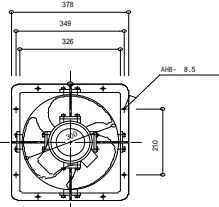
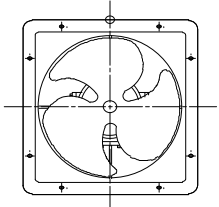
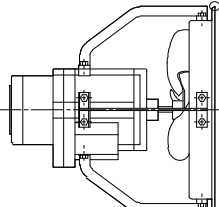
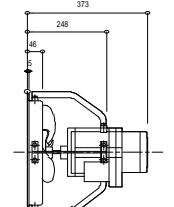
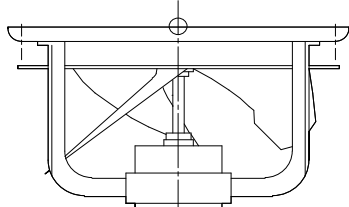
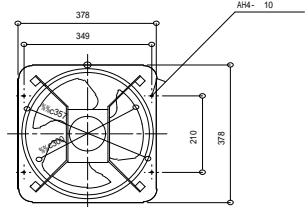
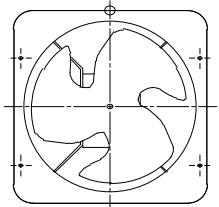
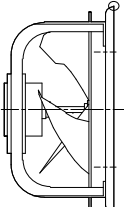
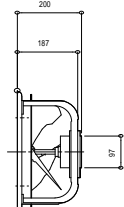
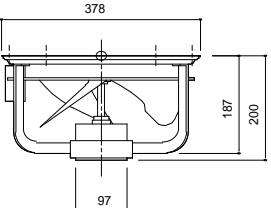
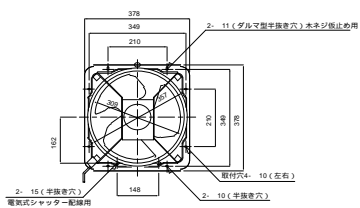
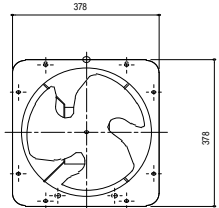
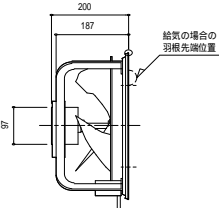
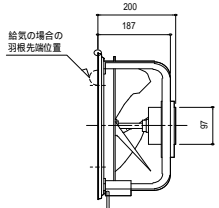
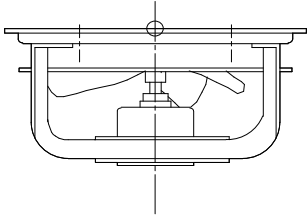
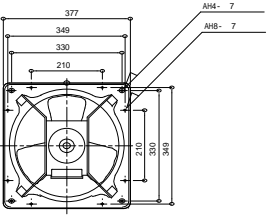
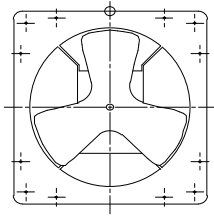
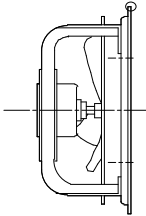
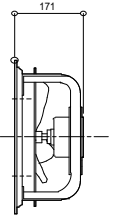
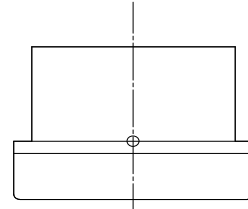
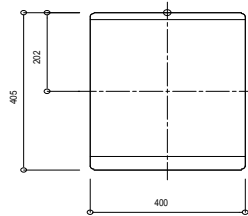
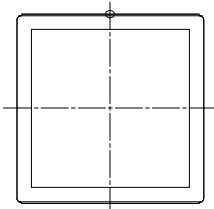
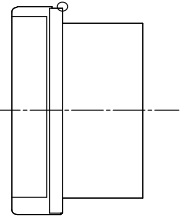
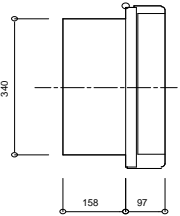
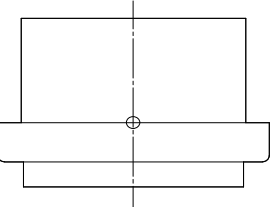
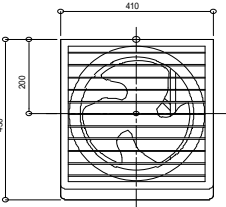
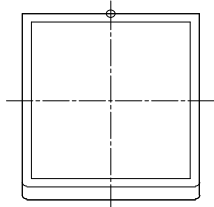
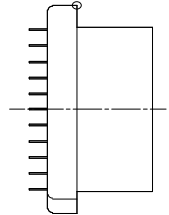
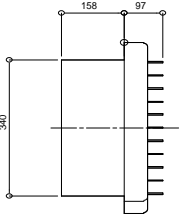
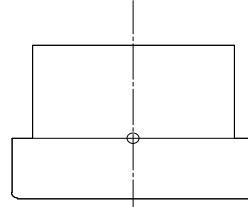
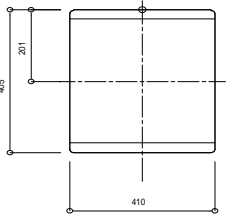
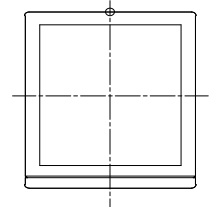
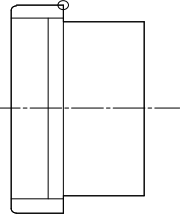
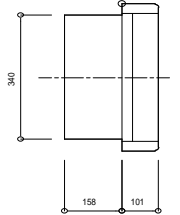
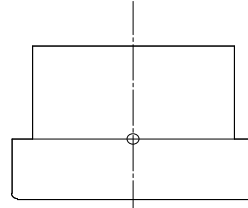
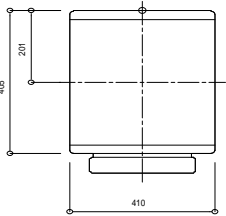
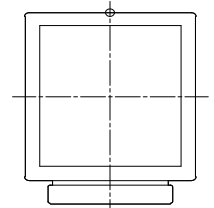
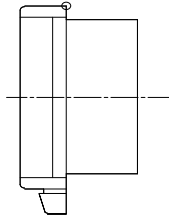
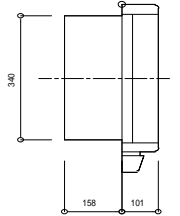
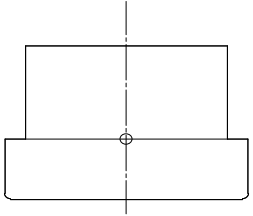
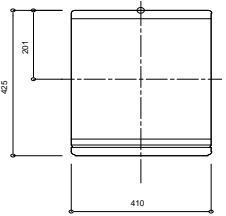
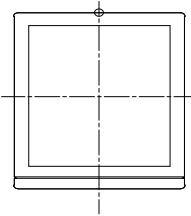
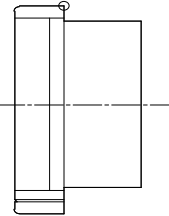
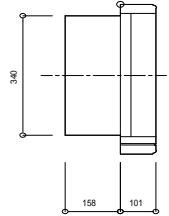
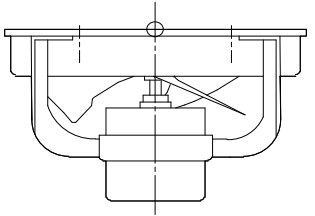
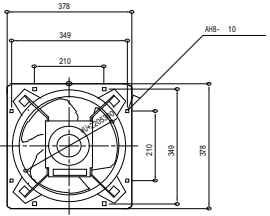
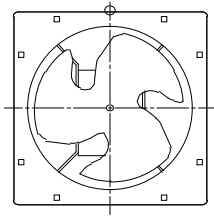
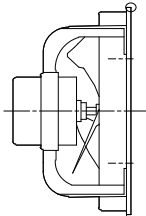
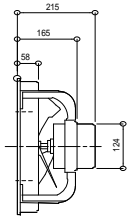
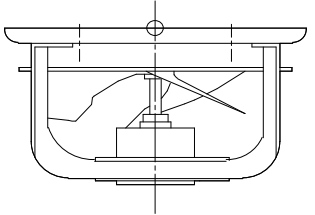
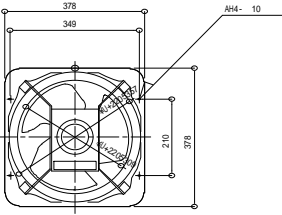
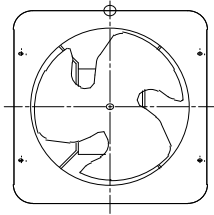
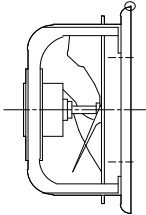
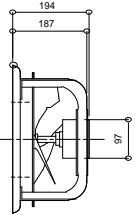
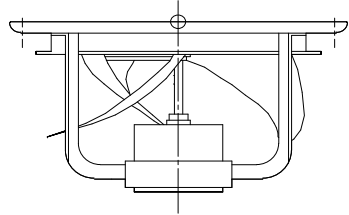
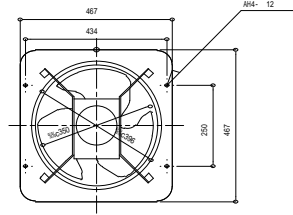
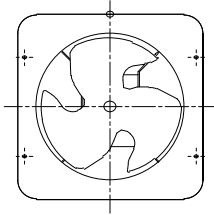
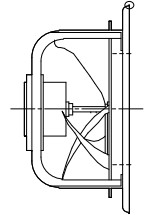
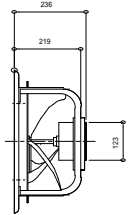
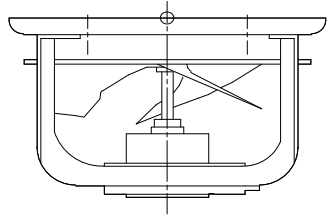
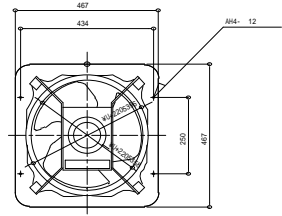
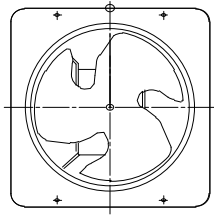
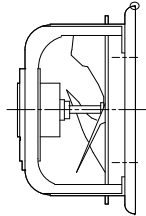
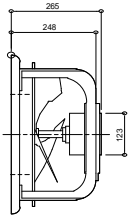


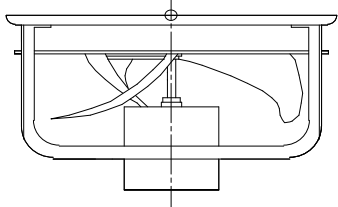
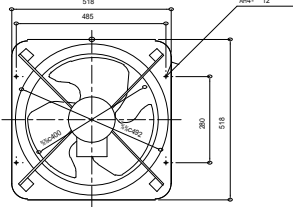
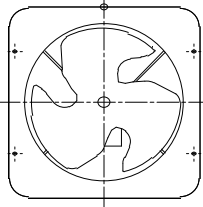
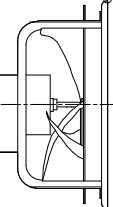
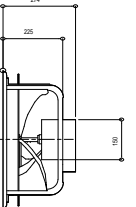
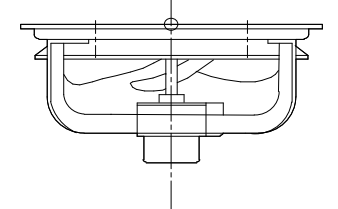
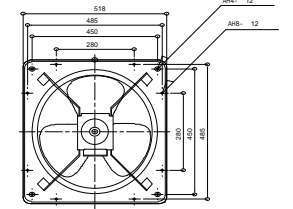
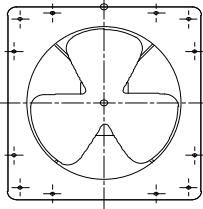
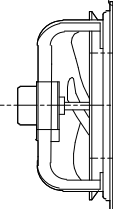
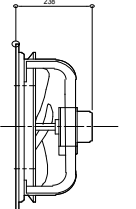
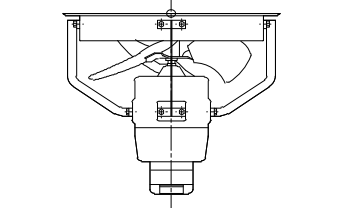
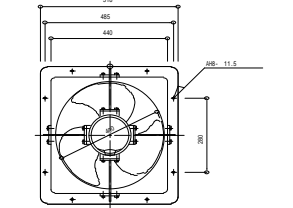
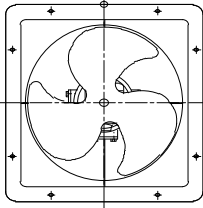
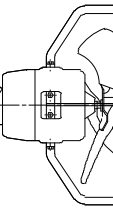
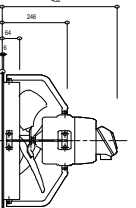
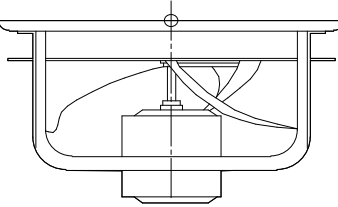
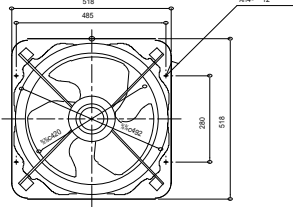
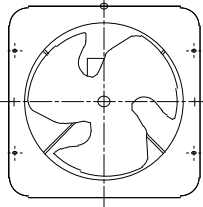
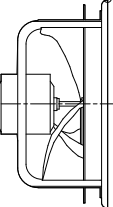
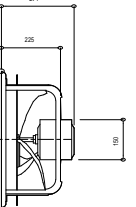
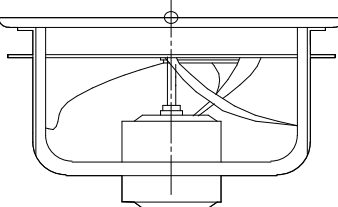
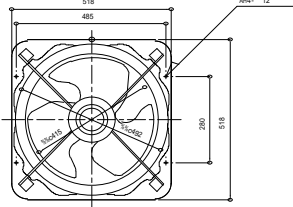
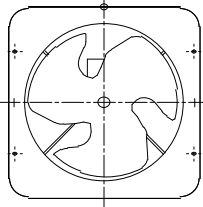
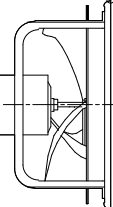
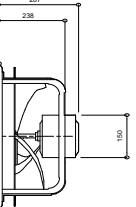
<p>20LSG001.DXF</p> 	<p>20LSG002.DXF</p> 	<p>20LSG003.DXF</p> 	<p>20LSG004.DXF</p> 	<p>20LSG005.DXF</p> 
<p>25GSB301.DXF</p> 	<p>25GSB302.DXF</p> 	<p>25GSB303.DXF</p> 	<p>25GSB304.DXF</p> 	<p>25GSB305.DXF</p> 
<p>25GSBS31.DXF</p> 	<p>25GSBS32.DXF</p> 	<p>25GSBS33.DXF</p> 	<p>25GSBS34.DXF</p> 	<p>25GSBS35.DXF</p> 
<p>25GSU301.DXF</p> 	<p>25GSU302.DXF</p> 	<p>25GSU303.DXF</p> 	<p>25GSU304.DXF</p> 	<p>25GSU305.DXF</p> 
<p>25GSUD01.DXF</p> 	<p>25GSUD02.DXF</p> 	<p>25GSUD03.DXF</p> 	<p>25GSUD04.DXF</p> 	<p>25GSUD05.DXF</p> 

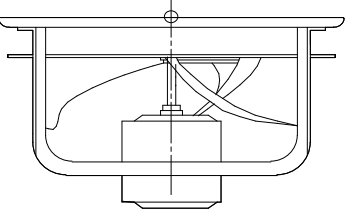
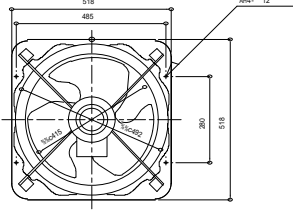
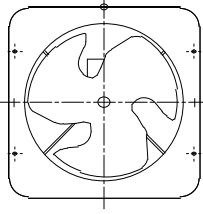
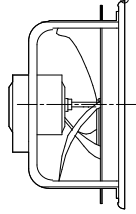
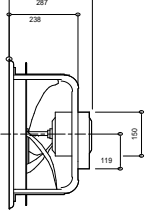
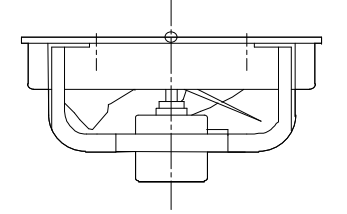
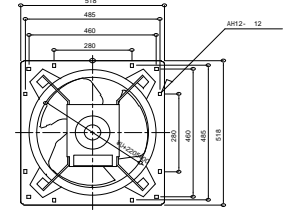
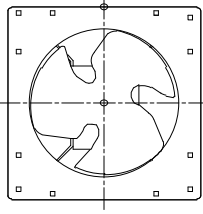
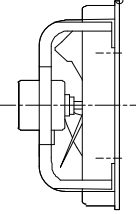
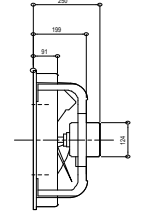
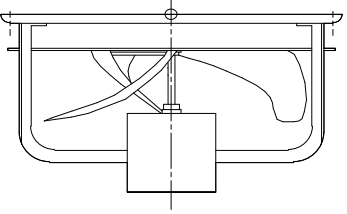
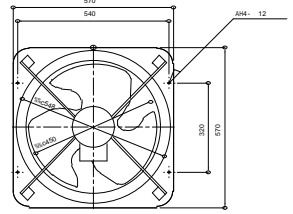
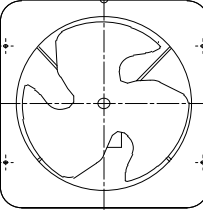
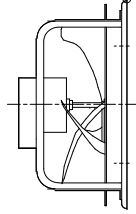
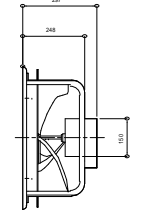
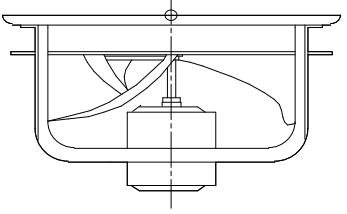
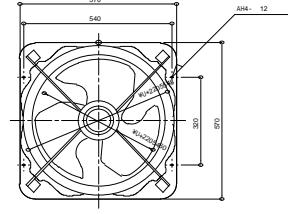
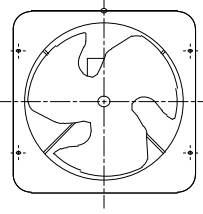
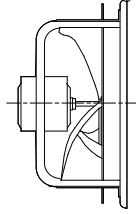
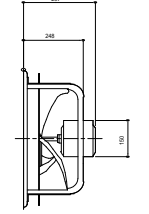
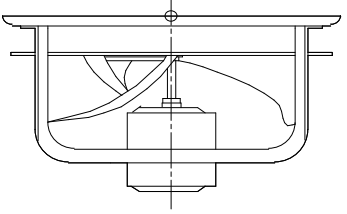
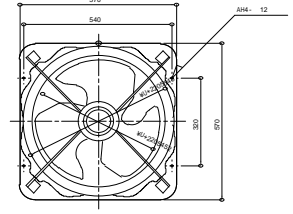
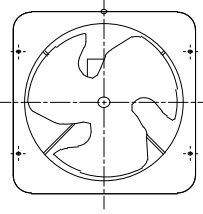
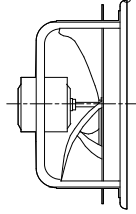
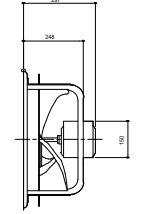
<p>25GSX401.DXF</p> 	<p>25GSX402.DXF</p> 	<p>25GSX403.DXF</p> 	<p>25GSX404.DXF</p> 	<p>25GSX405.DXF</p> 
<p>25LSEWC1.DXF</p> 	<p>25LSEWC2.DXF</p> 	<p>25LSEWC3.DXF</p> 	<p>25LSEWC4.DXF</p> 	<p>25LSEWC5.DXF</p> 
<p>25LSG001.DXF</p> 	<p>25LSG002.DXF</p> 	<p>25LSG003.DXF</p> 	<p>25LSG004.DXF</p> 	<p>25LSG005.DXF</p> 
<p>25LSM001.DXF</p> 	<p>25LSM002.DXF</p> 	<p>25LSM003.DXF</p> 	<p>25LSM004.DXF</p> 	<p>25LSM005.DXF</p> 
<p>25LST001.DXF</p> 	<p>25LST002.DXF</p> 	<p>25LST003.DXF</p> 	<p>25LST004.DXF</p> 	<p>25LST005.DXF</p> 

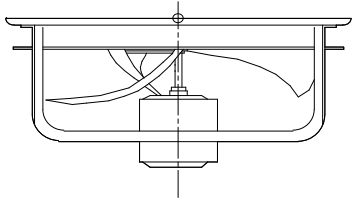
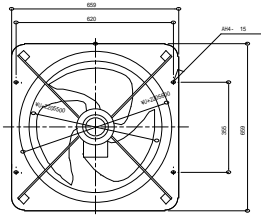
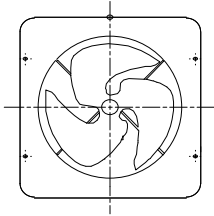
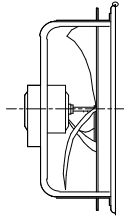
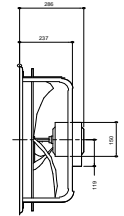
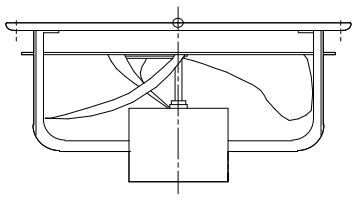
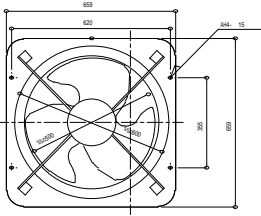
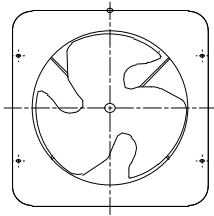
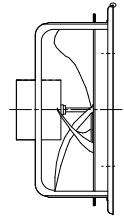
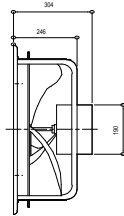
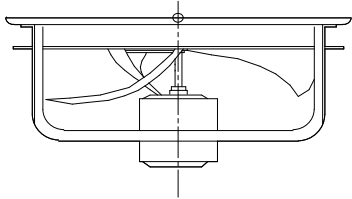
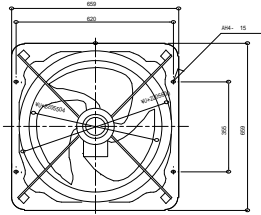
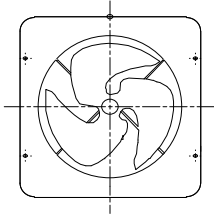
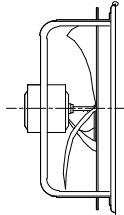
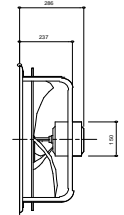
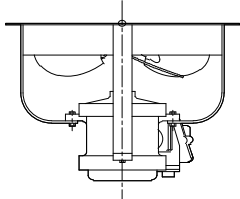
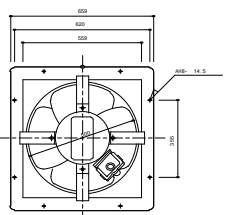
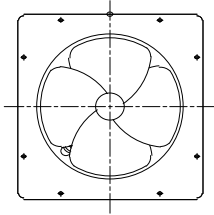
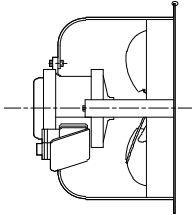
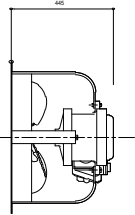
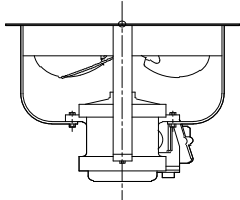
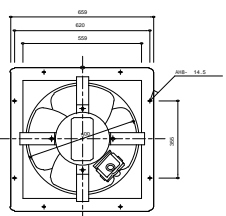
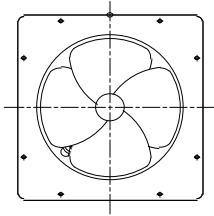
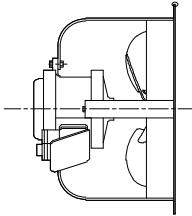
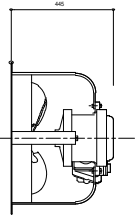
<p>25LSX001.DXF</p> 	<p>25LSX002.DXF</p> 	<p>25LSX003.DXF</p> 	<p>25LSX004.DXF</p> 	<p>25LSX005.DXF</p> 
<p>30GSB301.DXF</p> 	<p>30GSB302.DXF</p> 	<p>30GSB303.DXF</p> 	<p>30GSB304.DXF</p> 	<p>30GSB305.DXF</p> 
<p>30GSBS31.DXF</p> 	<p>30GSBS32.DXF</p> 	<p>30GSBS33.DXF</p> 	<p>30GSBS34.DXF</p> 	<p>30GSBS35.DXF</p> 
<p>30GSU301.DXF</p> 	<p>30GSU302.DXF</p> 	<p>30GSU303.DXF</p> 	<p>30GSU304.DXF</p> 	<p>30GSU305.DXF</p> 
<p>30GSUD01.DXF</p> 	<p>30GSUD02.DXF</p> 	<p>30GSUD03.DXF</p> 	<p>30GSUD04.DXF</p> 	<p>30GSUD05.DXF</p> 

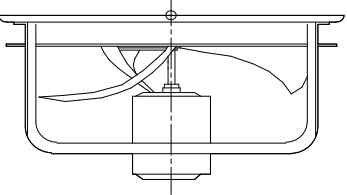
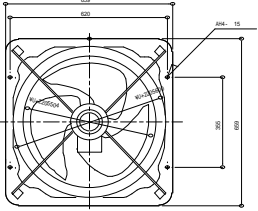
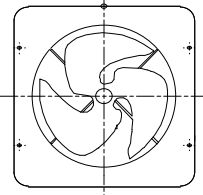
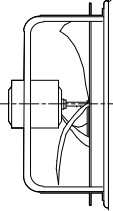
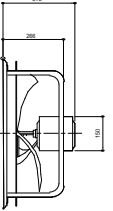
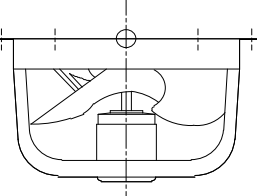
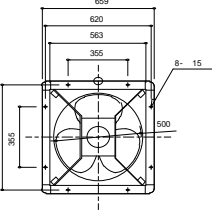
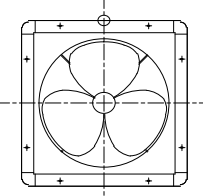
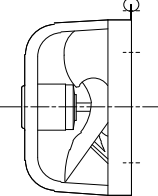
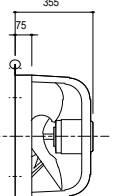
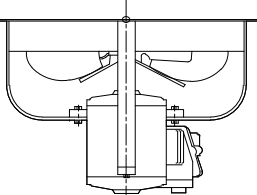
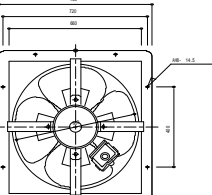
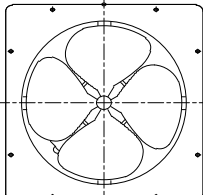
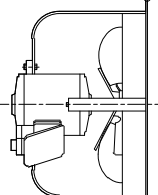
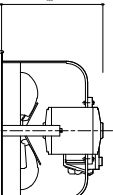
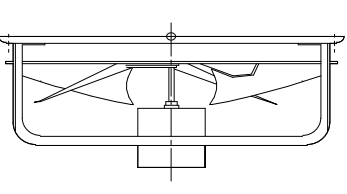
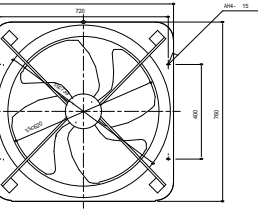
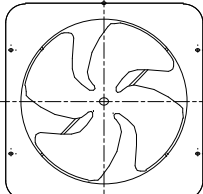
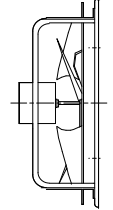
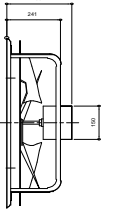
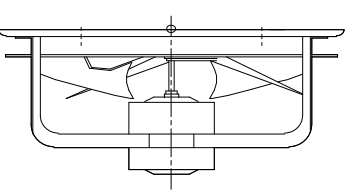
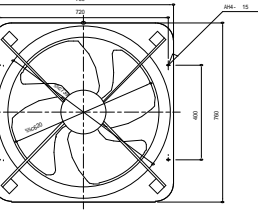
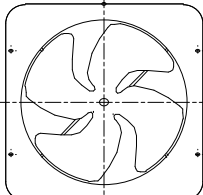
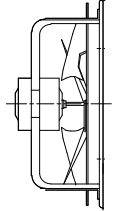
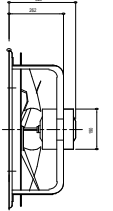
<p>30GSX401.DXF</p> 	<p>30GSX402.DXF</p> 	<p>30GSX403.DXF</p> 	<p>30GSX404.DXF</p> 	<p>30GSX405.DXF</p> 
<p>30LSEWC1.DXF</p> 	<p>30LSEWC2.DXF</p> 	<p>30LSEWC3.DXF</p> 	<p>30LSEWC4.DXF</p> 	<p>30LSEWC5.DXF</p> 
<p>30LSG001.DXF</p> 	<p>30LSG002.DXF</p> 	<p>30LSG003.DXF</p> 	<p>30LSG004.DXF</p> 	<p>30LSG005.DXF</p> 
<p>30LSM001.DXF</p> 	<p>30LSM002.DXF</p> 	<p>30LSM003.DXF</p> 	<p>30LSM004.DXF</p> 	<p>30LSM005.DXF</p> 
<p>30LST001.DXF</p> 	<p>30LST002.DXF</p> 	<p>30LST003.DXF</p> 	<p>30LST004.DXF</p> 	<p>30LST005.DXF</p> 

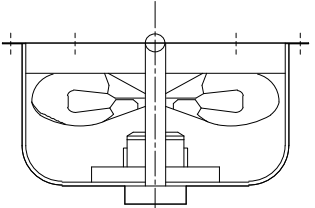
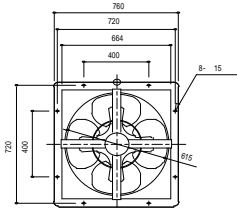
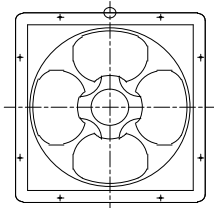
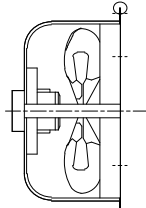
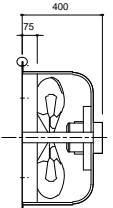
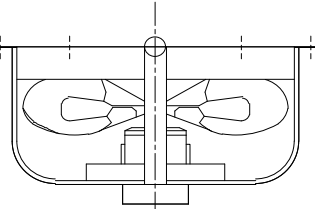
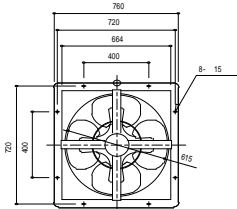
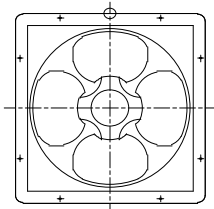
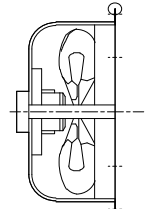
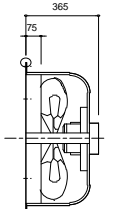
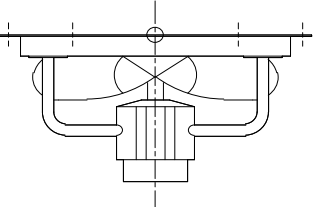
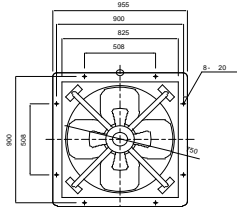
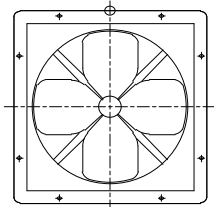
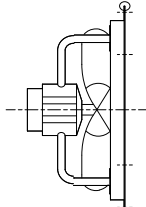
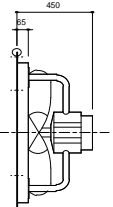
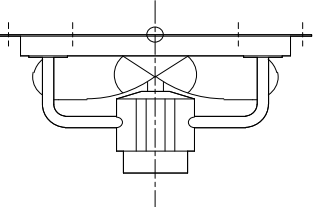
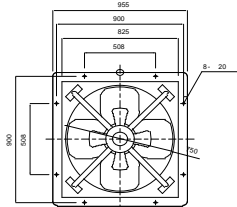
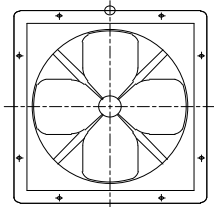
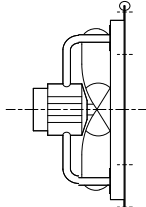
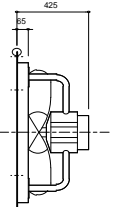
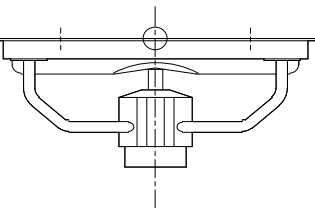
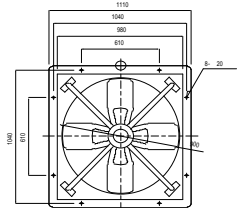
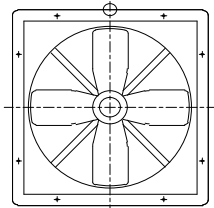
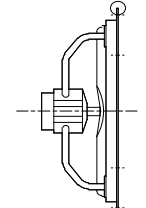
<p>30LSX001.DXF</p> 	<p>30LSX002.DXF</p> 	<p>30LSX003.DXF</p> 	<p>30LSX004.DXF</p> 	<p>30LSX005.DXF</p> 
<p>30MSX401.DXF</p> 	<p>30MSX402.DXF</p> 	<p>30MSX403.DXF</p> 	<p>30MSX404.DXF</p> 	<p>30MSX405.DXF</p> 
<p>30MTU301.DXF</p> 	<p>30MTU302.DXF</p> 	<p>30MTU303.DXF</p> 	<p>30MTU304.DXF</p> 	<p>30MTU305.DXF</p> 
<p>35GSU301.DXF</p> 	<p>35GSU302.DXF</p> 	<p>35GSU303.DXF</p> 	<p>35GSU304.DXF</p> 	<p>35GSU305.DXF</p> 
<p>35GSV301.DXF</p> 	<p>35GSV302.DXF</p> 	<p>35GSV303.DXF</p> 	<p>35GSV304.DXF</p> 	<p>35GSV305.DXF</p> 

<p>40GSV301.DXF</p> 	<p>40GSV302.DXF</p> 	<p>40GSV303.DXF</p> 	<p>40GSV304.DXF</p> 	<p>40GSV305.DXF</p> 
<p>40GSX401.DXF</p> 	<p>40GSX402.DXF</p> 	<p>40GSX403.DXF</p> 	<p>40GSX404.DXF</p> 	<p>40GSX405.DXF</p> 
<p>40GTB301.DXF</p> 	<p>40GTB302.DXF</p> 	<p>40GTB303.DXF</p> 	<p>40GTB304.DXF</p> 	<p>40GTB305.DXF</p> 
<p>40GTV301.DXF</p> 	<p>40GTV302.DXF</p> 	<p>40GTV303.DXF</p> 	<p>40GTV304.DXF</p> 	<p>40GTV305.DXF</p> 
<p>40KTV301.DXF</p> 	<p>40KTV302.DXF</p> 	<p>40KTV303.DXF</p> 	<p>40KTV304.DXF</p> 	<p>40KTV305.DXF</p> 

<p>40MSV301.DXF</p> 	<p>40MSV302.DXF</p> 	<p>40MSV303.DXF</p> 	<p>40MSV304.DXF</p> 	<p>40MSV305.DXF</p> 
<p>40MSX401.DXF</p> 	<p>40MSX402.DXF</p> 	<p>40MSX403.DXF</p> 	<p>40MSX404.DXF</p> 	<p>40MSX405.DXF</p> 
<p>45GSV301.DXF</p> 	<p>45GSV302.DXF</p> 	<p>45GSV303.DXF</p> 	<p>45GSV304.DXF</p> 	<p>45GSV305.DXF</p> 
<p>45GTV301.DXF</p> 	<p>45GTV302.DXF</p> 	<p>45GTV303.DXF</p> 	<p>45GTV304.DXF</p> 	<p>45GTV305.DXF</p> 
<p>45MTV301.DXF</p> 	<p>45MTV302.DXF</p> 	<p>45MTV303.DXF</p> 	<p>45MTV304.DXF</p> 	<p>45MTV305.DXF</p> 

<p>50GSU301.DXF</p> 	<p>50GSU302.DXF</p> 	<p>50GSU303.DXF</p> 	<p>50GSU304.DXF</p> 	<p>50GSU305.DXF</p> 
<p>50GTV301.DXF</p> 	<p>50GTV302.DXF</p> 	<p>50GTV303.DXF</p> 	<p>50GTV304.DXF</p> 	<p>50GTV305.DXF</p> 
<p>50KTV301.DXF</p> 	<p>50KTV302.DXF</p> 	<p>50KTV303.DXF</p> 	<p>50KTV304.DXF</p> 	<p>50KTV305.DXF</p> 
<p>50MTB301.DXF</p> 	<p>50MTB302.DXF</p> 	<p>50MTB303.DXF</p> 	<p>50MTB304.DXF</p> 	<p>50MTB305.DXF</p> 
<p>50MTBS31.DXF</p> 	<p>50MTBS32.DXF</p> 	<p>50MTBS33.DXF</p> 	<p>50MTBS34.DXF</p> 	<p>50MTBS35.DXF</p> 

<p>50MTV301.DXF</p> 	<p>50MTV302.DXF</p> 	<p>50MTV303.DXF</p> 	<p>50MTV304.DXF</p> 	<p>50MTV305.DXF</p> 
<p>50MTX501.DXF</p> 	<p>50MTX502.DXF</p> 	<p>50MTX503.DXF</p> 	<p>50MTX504.DXF</p> 	<p>50MTX505.DXF</p> 
<p>60MTB301.DXF</p> 	<p>60MTB302.DXF</p> 	<p>60MTB303.DXF</p> 	<p>60MTB304.DXF</p> 	<p>60MTB305.DXF</p> 
<p>60MTU301.DXF</p> 	<p>60MTU302.DXF</p> 	<p>60MTU303.DXF</p> 	<p>60MTU304.DXF</p> 	<p>60MTU305.DXF</p> 
<p>60MTV301.DXF</p> 	<p>60MTV302.DXF</p> 	<p>60MTV303.DXF</p> 	<p>60MTV304.DXF</p> 	<p>60MTV305.DXF</p> 

<p>60MTX501.DXF</p> 	<p>60MTX502.DXF</p> 	<p>60MTX503.DXF</p> 	<p>60MTX504.DXF</p> 	<p>60MTX505.DXF</p> 
<p>60MTXS51.DXF</p> 	<p>60MTXS52.DXF</p> 	<p>60MTXS53.DXF</p> 	<p>60MTXS54.DXF</p> 	<p>60MTXS55.DXF</p> 
<p>75KTU401.DXF</p> 	<p>75KTU402.DXF</p> 	<p>75KTU403.DXF</p> 	<p>75KTU404.DXF</p> 	<p>75KTU405.DXF</p> 
<p>75KTUS41.DXF</p> 	<p>75KTUS42.DXF</p> 	<p>75KTUS43.DXF</p> 	<p>75KTUS44.DXF</p> 	<p>75KTUS45.DXF</p> 
<p>90KTU401.DXF</p> 	<p>90KTU402.DXF</p> 	<p>90KTU403.DXF</p> 	<p>90KTU404.DXF</p> 	<p>90KTU405.DXF</p> 