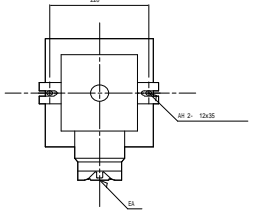
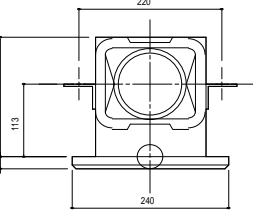
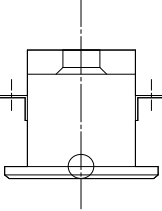
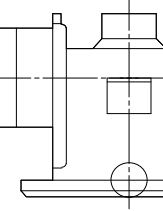
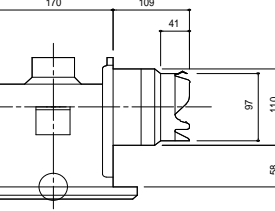
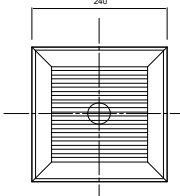
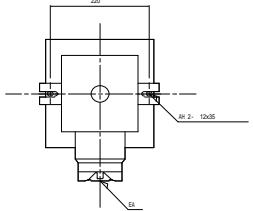
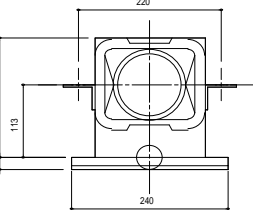
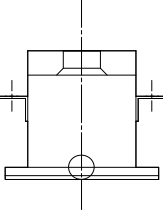
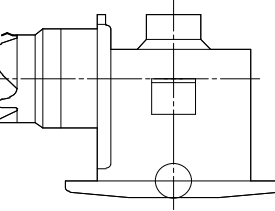
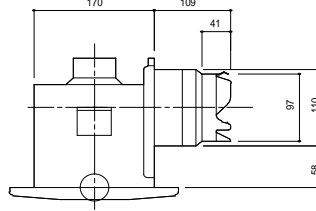
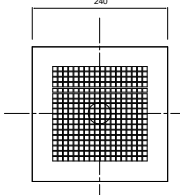
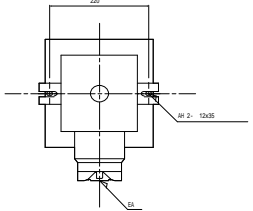
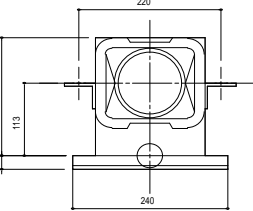
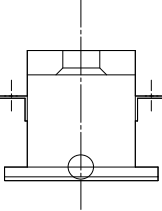
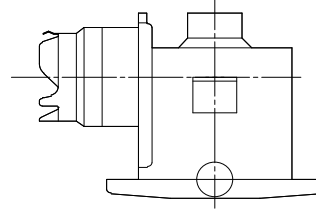
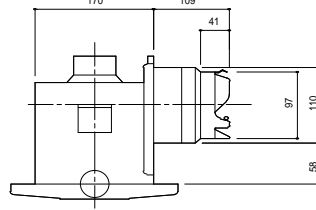
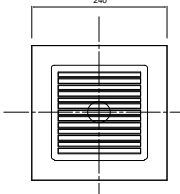
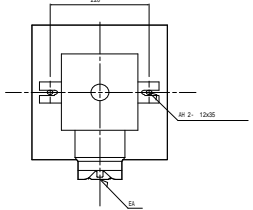
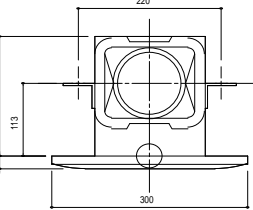
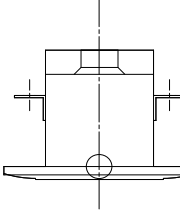
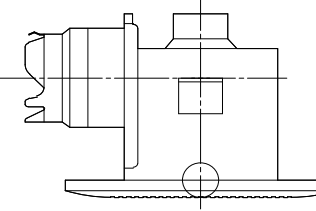
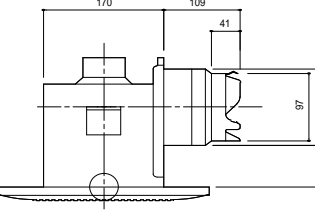
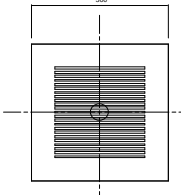
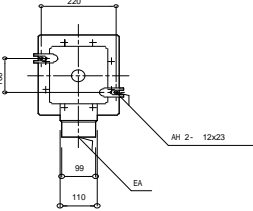
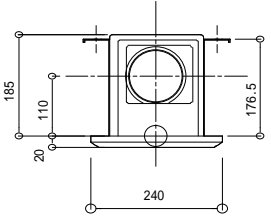
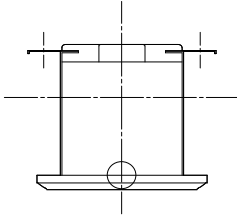
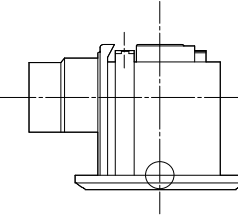
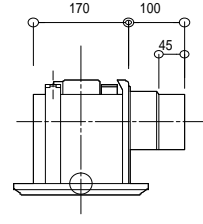
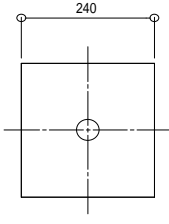
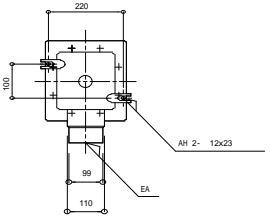
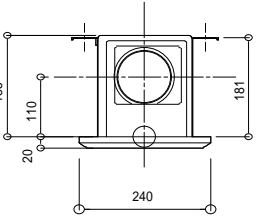
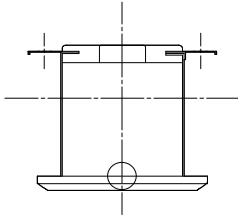
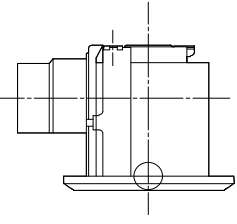
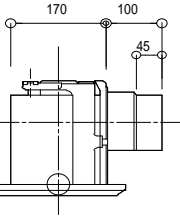
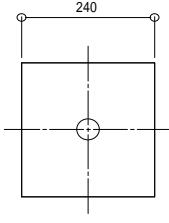
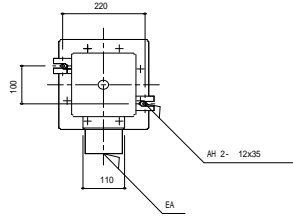
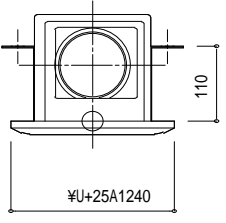
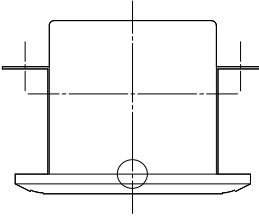
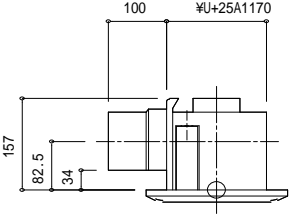
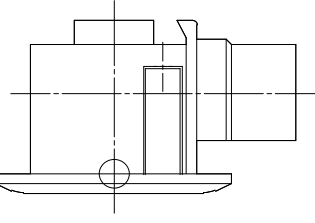
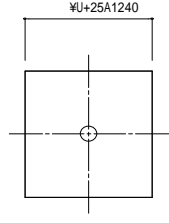
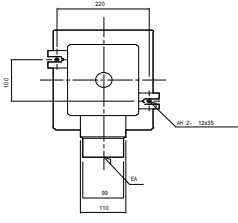
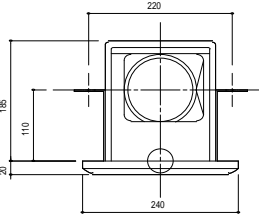
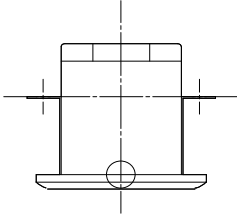
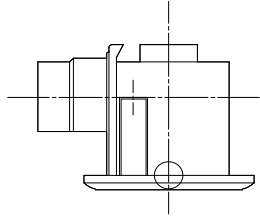
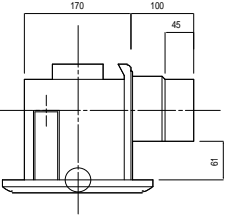
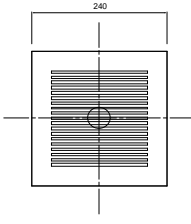
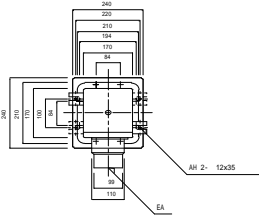
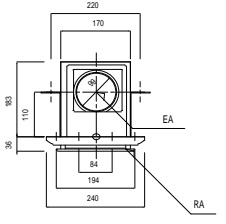
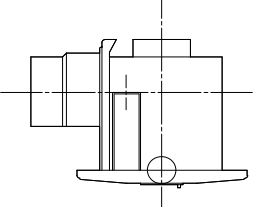
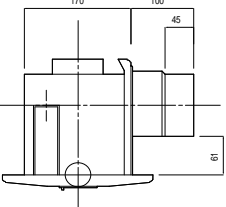
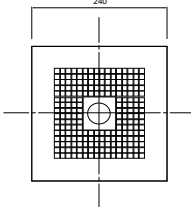
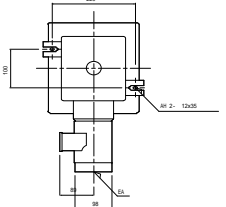
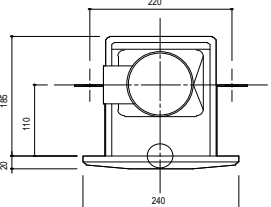
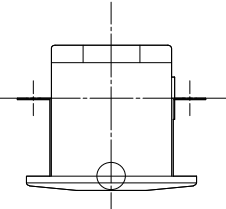
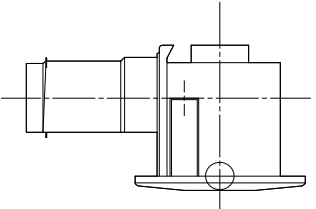
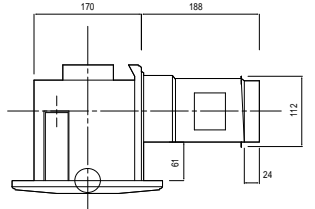
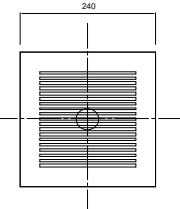
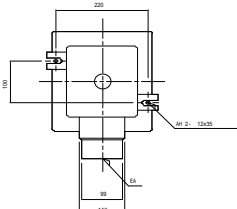
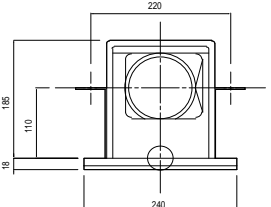
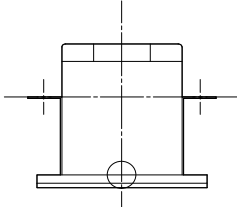
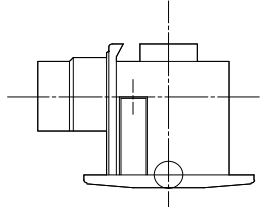
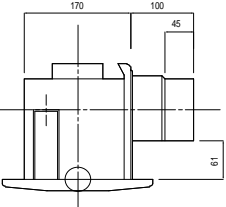
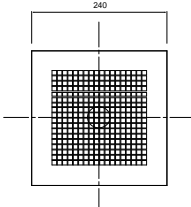
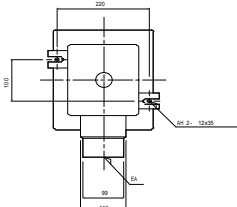
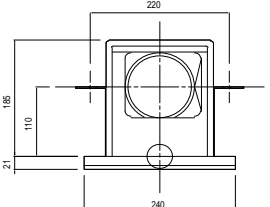
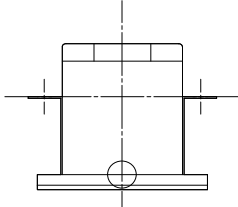
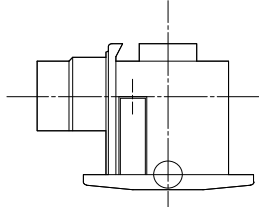
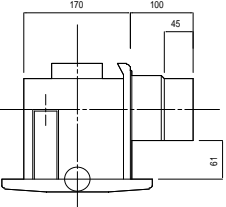
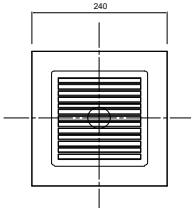
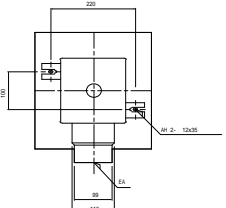
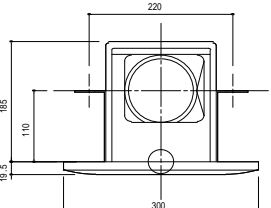
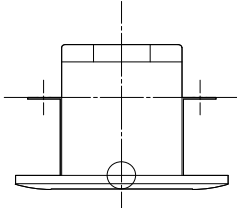
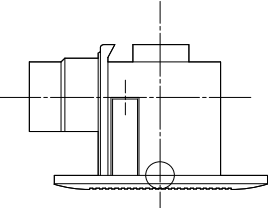
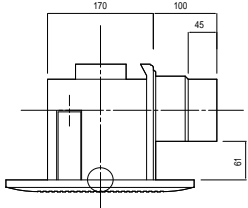
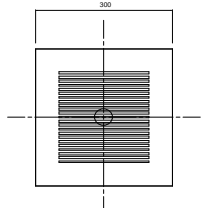
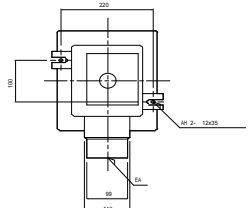
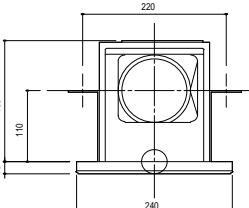
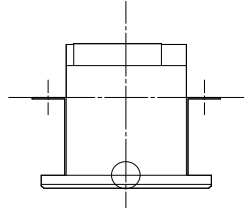
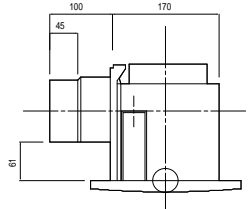
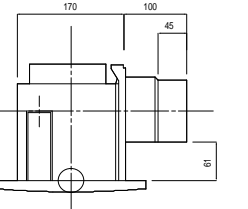
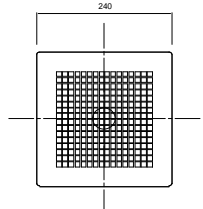
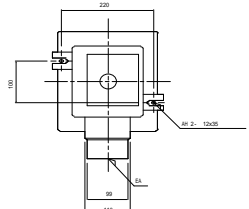
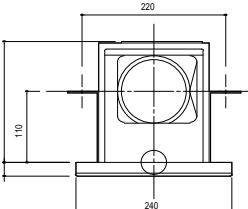
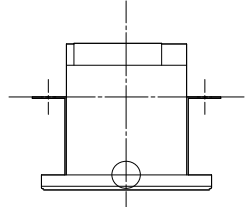
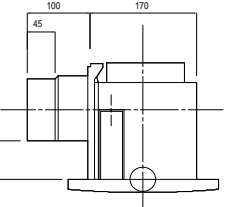
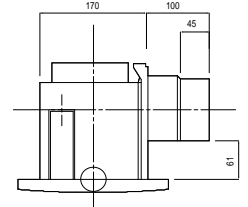
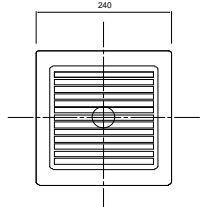
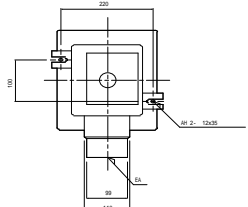
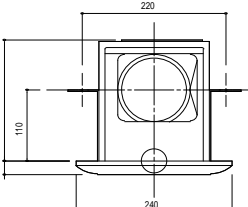
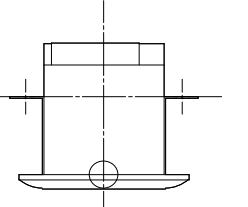
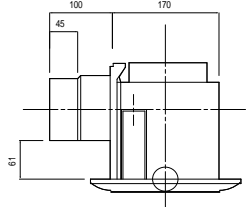
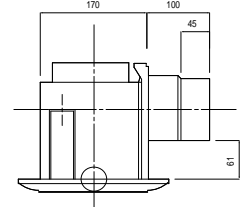
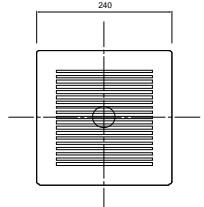
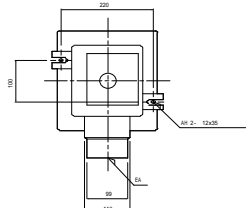
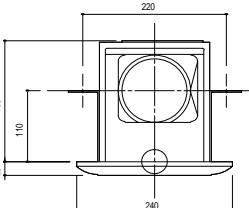
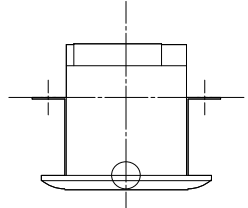
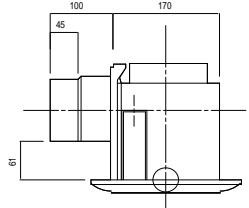
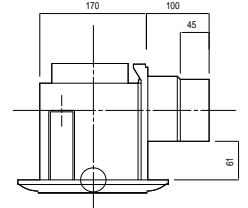


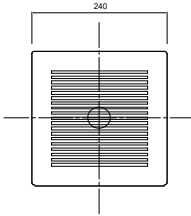
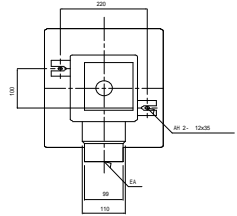
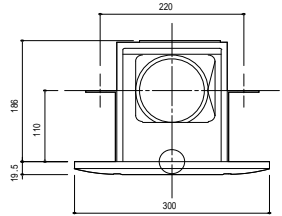
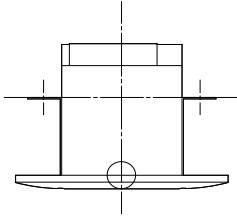
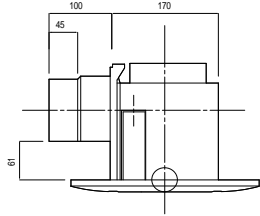
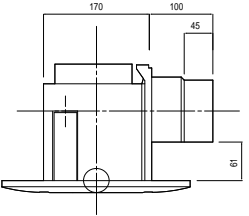
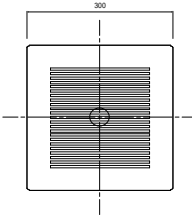
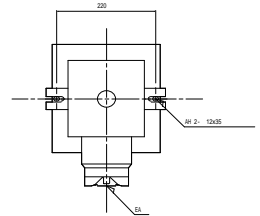
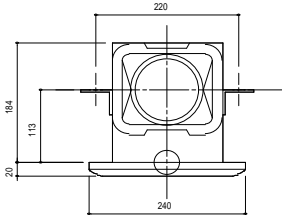
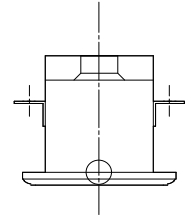
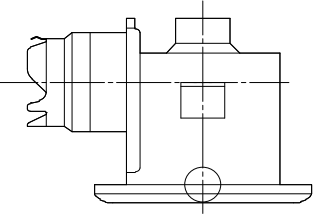
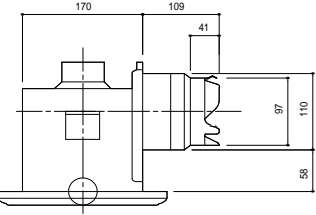
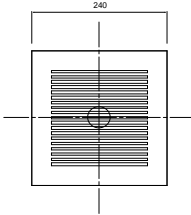
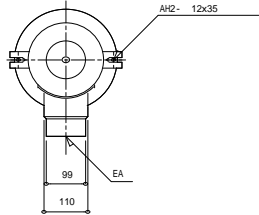
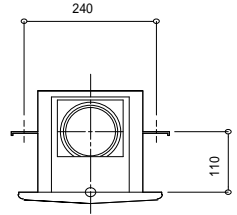
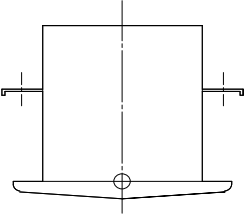
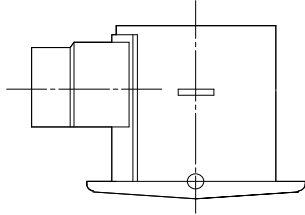
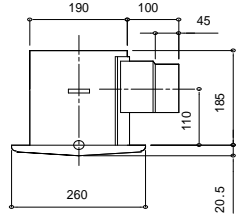
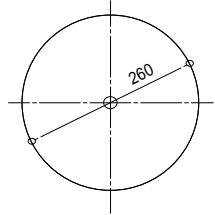
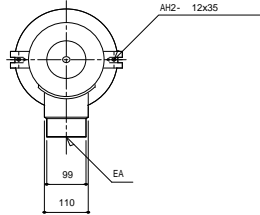
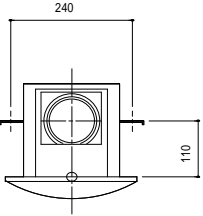
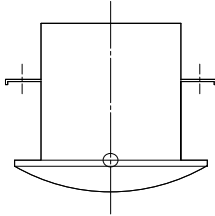
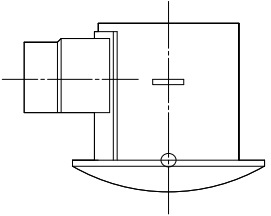
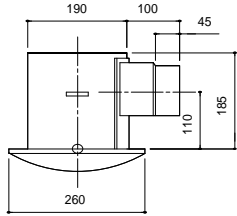
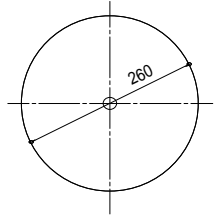
<p>17B71501.DXF</p> 	<p>17B71502.DXF</p> 	<p>17B71503.DXF</p> 	<p>17B71504.DXF</p> 	<p>17B71505.DXF</p> 
<p>17B71506.DXF</p> 	<p>17B75601.DXF</p> 	<p>17B75602.DXF</p> 	<p>17B75603.DXF</p> 	<p>17B75604.DXF</p> 
<p>17B75605.DXF</p> 	<p>17B75606.DXF</p> 	<p>17B77701.DXF</p> 	<p>17B77702.DXF</p> 	<p>17B77703.DXF</p> 
<p>17B77704.DXF</p> 	<p>17B77705.DXF</p> 	<p>17B77706.DXF</p> 	<p>17B79301.DXF</p> 	<p>17B79302.DXF</p> 
<p>17B79303.DXF</p> 	<p>17B79304.DXF</p> 	<p>17B79305.DXF</p> 	<p>17B79306.DXF</p> 	<p>17C6BL01.DXF</p> 

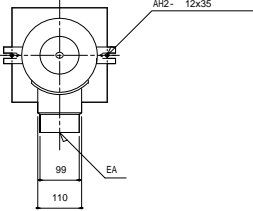
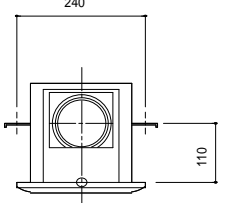
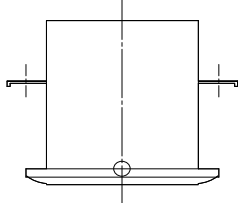
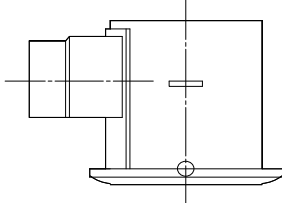
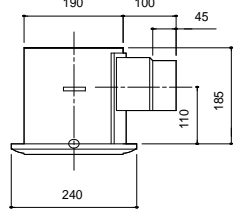
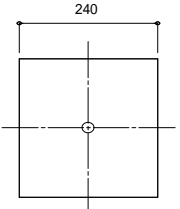
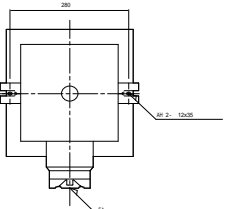
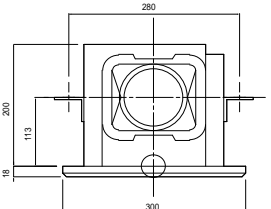
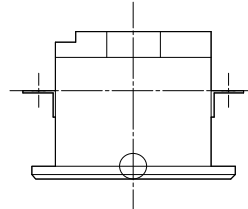
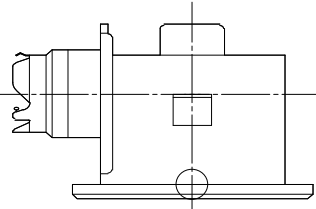
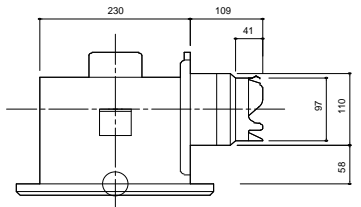
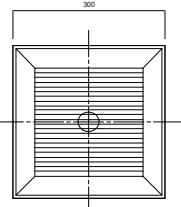
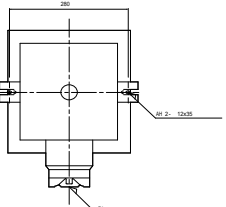
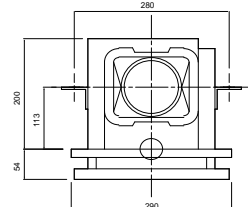
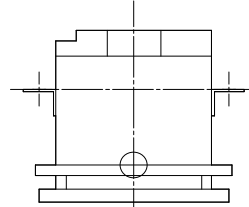
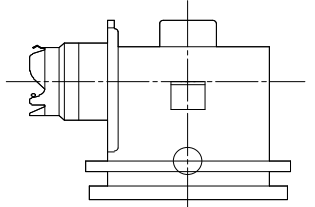
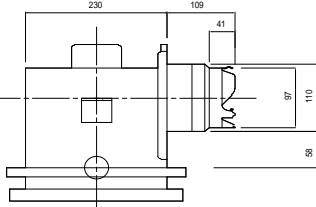
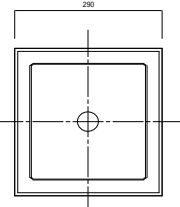
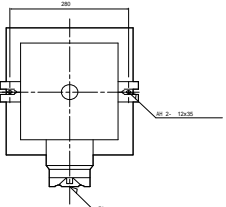
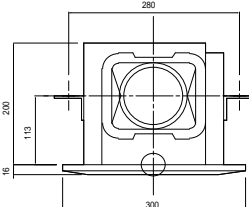
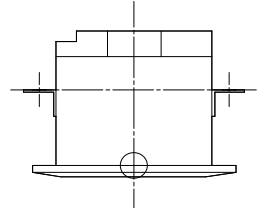
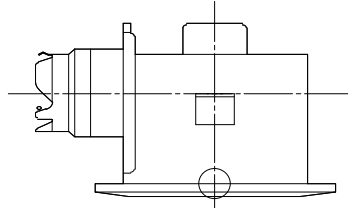
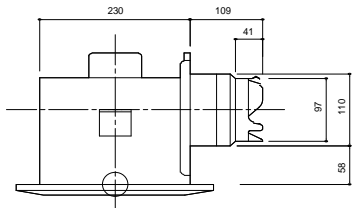
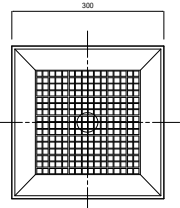
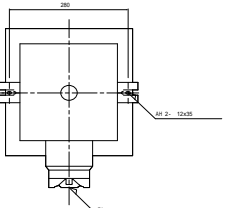
<p>17C6BL02.DXF</p> 	<p>17C6BL03.DXF</p> 	<p>17C6BL04.DXF</p> 	<p>17C6BL05.DXF</p> 	<p>17C6BL06.DXF</p> 
<p>17C6BL11.DXF</p> 	<p>17C6BL12.DXF</p> 	<p>17C6BL13.DXF</p> 	<p>17C6BL14.DXF</p> 	<p>17C6BL15.DXF</p> 
<p>17C6BL16.DXF</p> 	<p>17C6U001.DXF</p> 	<p>17C6U002.DXF</p> 	<p>17C6U003.DXF</p> 	<p>17C6U004.DXF</p> 
<p>17C6U005.DXF</p> 	<p>17C6U006.DXF</p> 	<p>17C70001.DXF</p> 	<p>17C70002.DXF</p> 	<p>17C70003.DXF</p> 
<p>17C70004.DXF</p> 	<p>17C70005.DXF</p> 	<p>17C70006.DXF</p> 	<p>17CA6001.DXF</p> 	<p>17CA6002.DXF</p> 

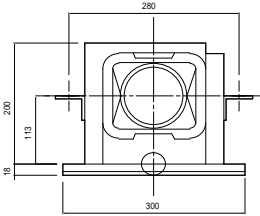
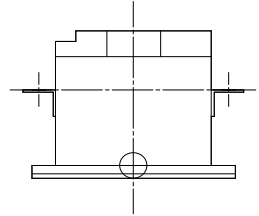
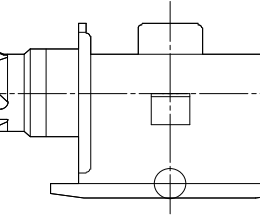
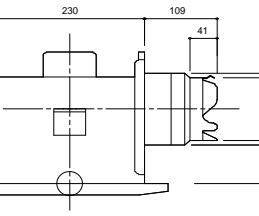
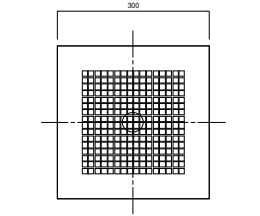
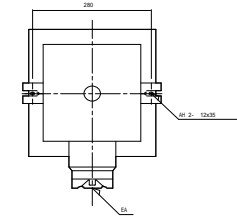
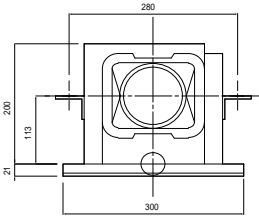
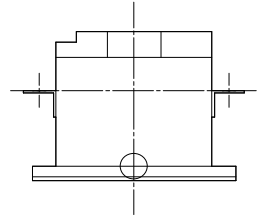
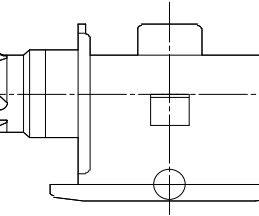
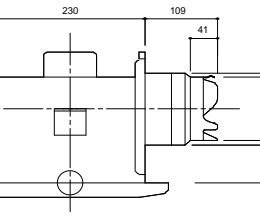
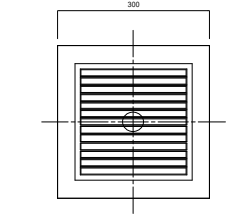
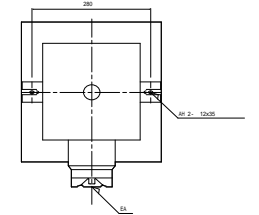
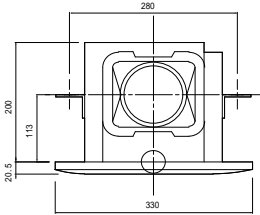
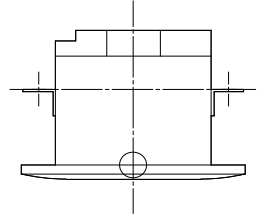
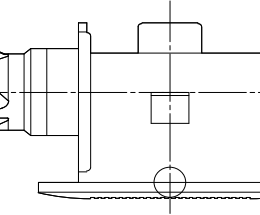
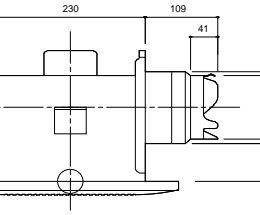
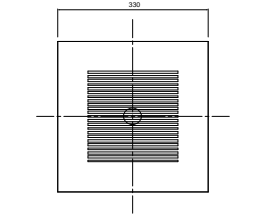
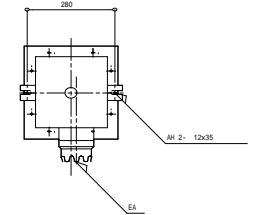
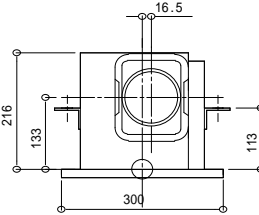
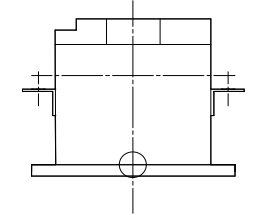
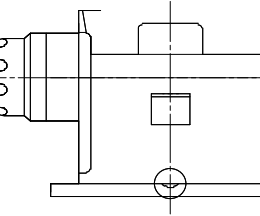
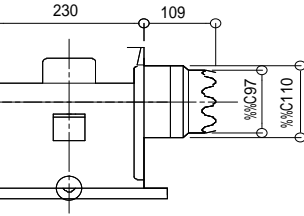
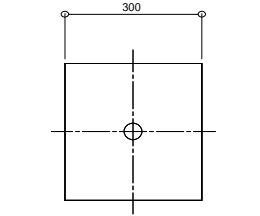
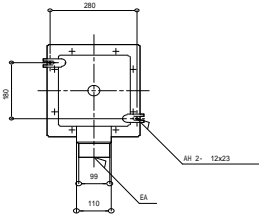
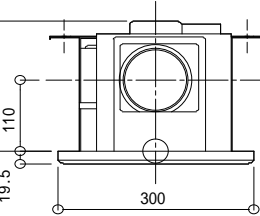
<p>17CA6003.DXF</p>	<p>17CA6004.DXF</p>	<p>17CA6005.DXF</p>	<p>17CA6006.DXF</p>	<p>17CAS601.DXF</p>
<p>17CAS602.DXF</p>	<p>17CAS603.DXF</p>	<p>17CAS604.DXF</p>	<p>17CAS605.DXF</p>	<p>17CAS606.DXF</p>
<p>17CD7V01.DXF</p>	<p>17CD7V02.DXF</p>	<p>17CD7V03.DXF</p>	<p>17CD7V04.DXF</p>	<p>17CD7V05.DXF</p>
<p>17CD7V06.DXF</p>	<p>17CFR7V1.DXF</p>	<p>17CFR7V2.DXF</p>	<p>17CFR7V3.DXF</p>	<p>17CFR7V4.DXF</p>
<p>17CFR7V5.DXF</p>	<p>17CFR7V6.DXF</p>	<p>17CR7001.DXF</p>	<p>17CR7002.DXF</p>	<p>17CR7003.DXF</p>

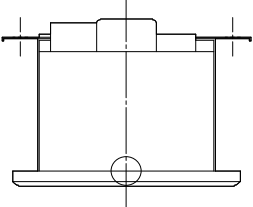
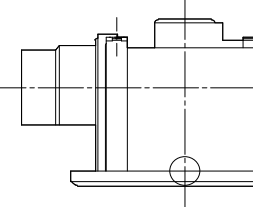
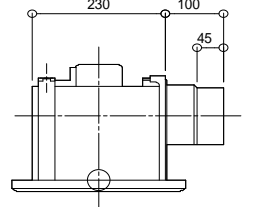
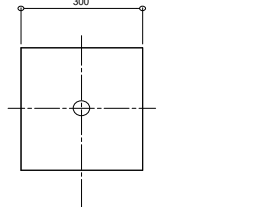
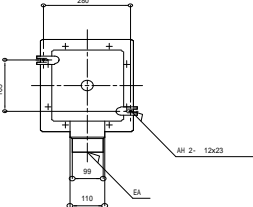
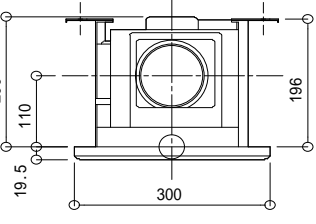
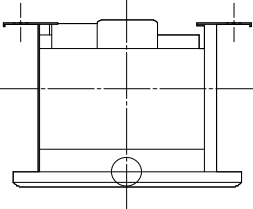
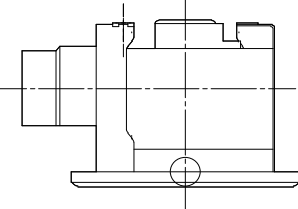
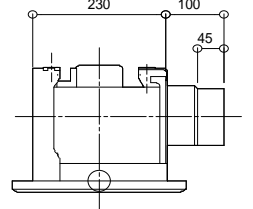
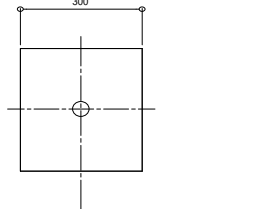
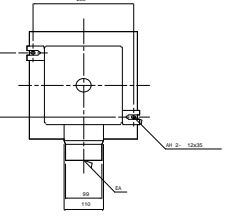
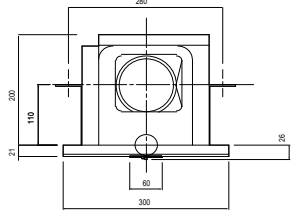
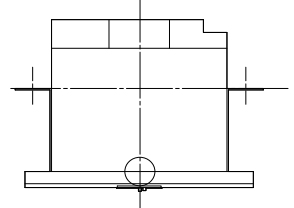
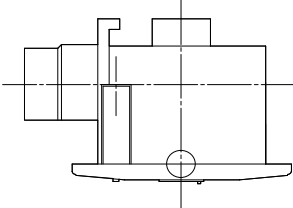
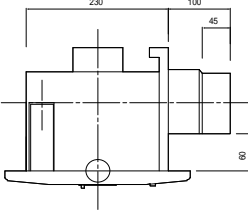
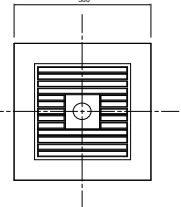
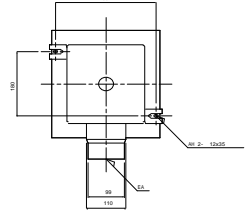
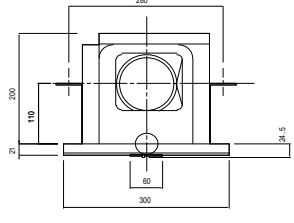
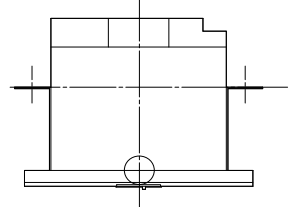
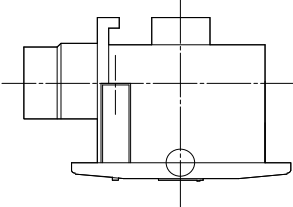
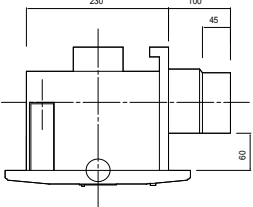
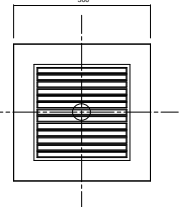
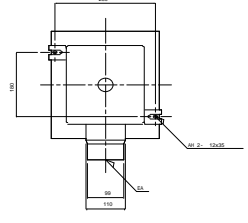
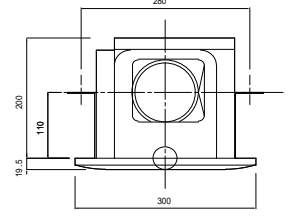
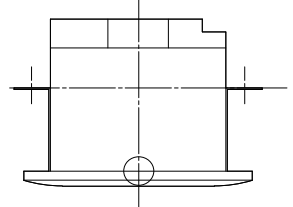
<p>17CR7004.DXF</p> 	<p>17CR7005.DXF</p> 	<p>17CR7006.DXF</p> 	<p>17CS7001.DXF</p> 	<p>17CS7002.DXF</p> 
<p>17CS7003.DXF</p> 	<p>17CS7004.DXF</p> 	<p>17CS7005.DXF</p> 	<p>17CS7006.DXF</p> 	<p>17J75601.DXF</p> 
<p>17J75602.DXF</p> 	<p>17J75603.DXF</p> 	<p>17J75604.DXF</p> 	<p>17J75605.DXF</p> 	<p>17J75606.DXF</p> 
<p>17J77701.DXF</p> 	<p>17J77702.DXF</p> 	<p>17J77703.DXF</p> 	<p>17J77704.DXF</p> 	<p>17J77705.DXF</p> 
<p>17J77706.DXF</p> 	<p>17J79301.DXF</p> 	<p>17J79302.DXF</p> 	<p>17J79303.DXF</p> 	<p>17J79304.DXF</p> 

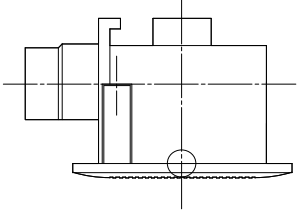
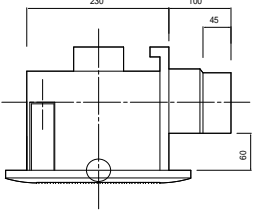
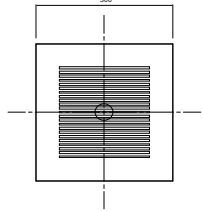
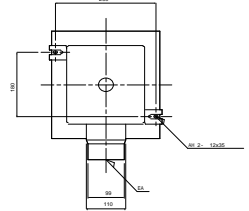
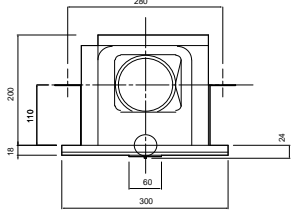
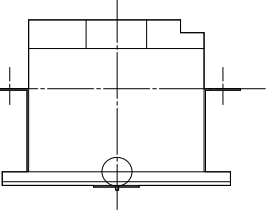
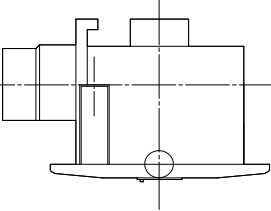
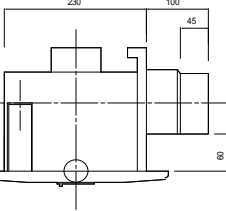
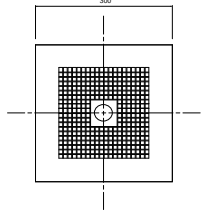
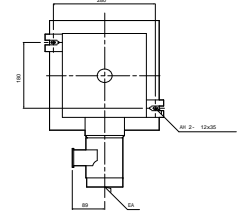
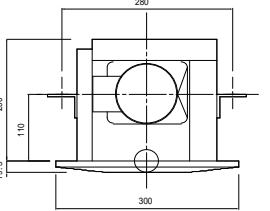
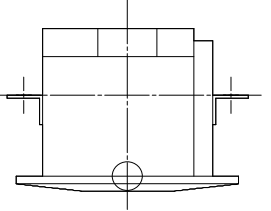
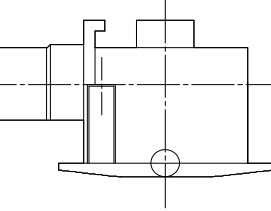
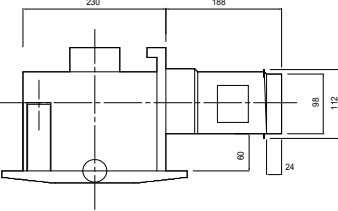
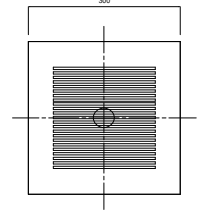
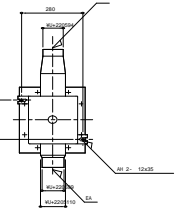
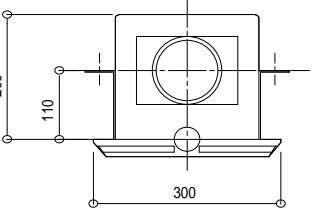
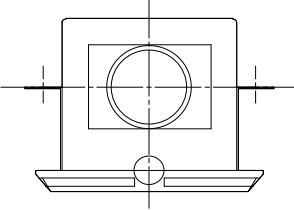
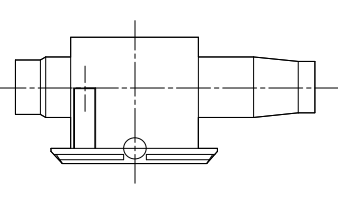
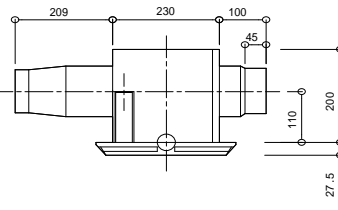
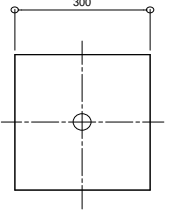
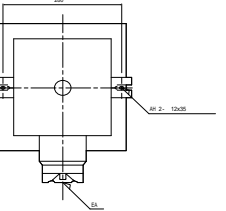
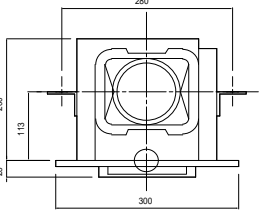
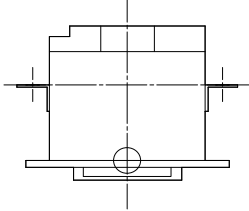
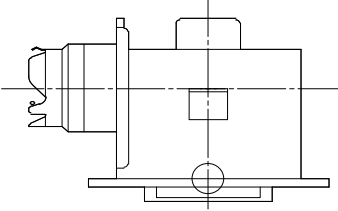
<p>17J79305.DXF</p> 	<p>17J79306.DXF</p> 	<p>17JDK7561.DXF</p> 	<p>17JDK7562.DXF</p> 	<p>17JDK7563.DXF</p> 
<p>17JDK7564.DXF</p> 	<p>17JDK7565.DXF</p> 	<p>17JDK7566.DXF</p> 	<p>17JDK7771.DXF</p> 	<p>17JDK7772.DXF</p> 
<p>17JDK7773.DXF</p> 	<p>17JDK7774.DXF</p> 	<p>17JDK7775.DXF</p> 	<p>17JDK7776.DXF</p> 	<p>17JDK7811.DXF</p> 
<p>17JDK7812.DXF</p> 	<p>17JDK7813.DXF</p> 	<p>17JDK7814.DXF</p> 	<p>17JDK7815.DXF</p> 	<p>17JDK7816.DXF</p> 
<p>17JDK7821.DXF</p> 	<p>17JDK7822.DXF</p> 	<p>17JDK7823.DXF</p> 	<p>17JDK7824.DXF</p> 	<p>17JDK7825.DXF</p> 

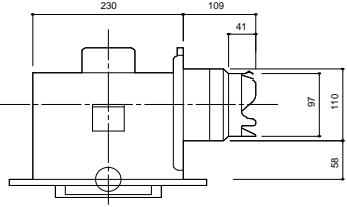
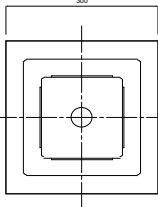
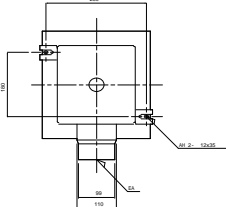
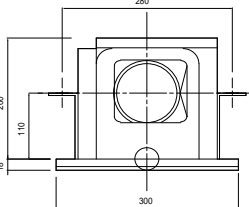
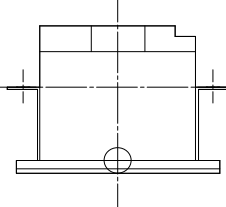
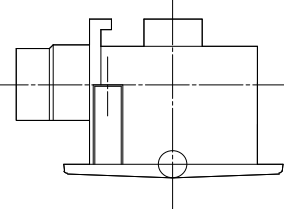
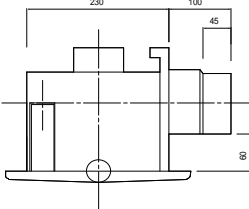
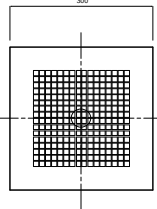
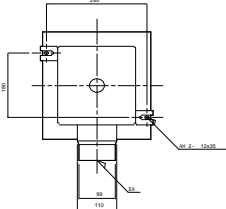
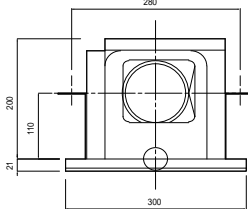
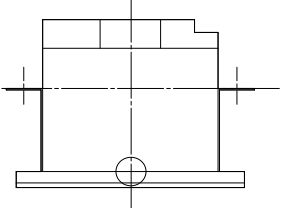
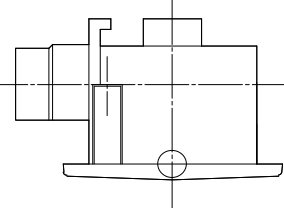
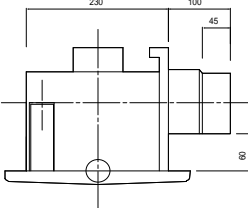
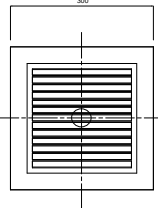
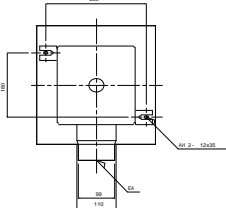
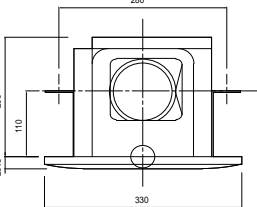
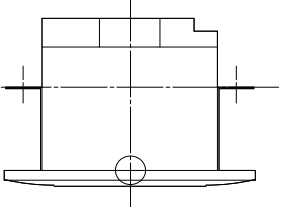
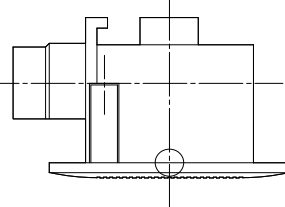
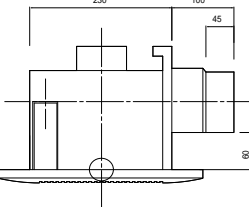
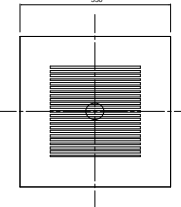
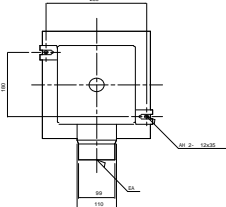
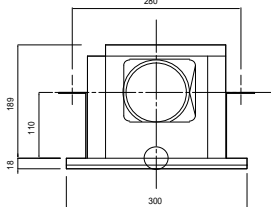
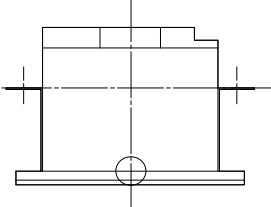
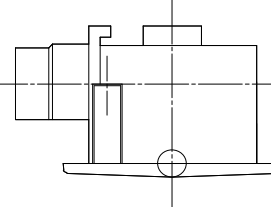
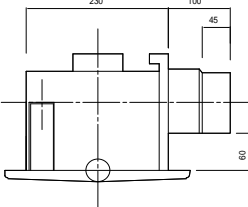
<p>17JDK7826.DXF</p> 	<p>17JDK7931.DXF</p> 	<p>17JDK7932.DXF</p> 	<p>17JDK7933.DXF</p> 	<p>17JDK7934.DXF</p> 
<p>17JDK7935.DXF</p> 	<p>17JDK7936.DXF</p> 	<p>17S70001.DXF</p> 	<p>17S70002.DXF</p> 	<p>17S70003.DXF</p> 
<p>17S70004.DXF</p> 	<p>17S70005.DXF</p> 	<p>17S70006.DXF</p> 	<p>20MC1001.DXF</p> 	<p>20MC1002.DXF</p> 
<p>20MC1003.DXF</p> 	<p>20MC1004.DXF</p> 	<p>20MC1005.DXF</p> 	<p>20MC1006.DXF</p> 	<p>20MCB101.DXF</p> 
<p>20MCB102.DXF</p> 	<p>20MCB103.DXF</p> 	<p>20MCB104.DXF</p> 	<p>20MCB105.DXF</p> 	<p>20MCB106.DXF</p> 

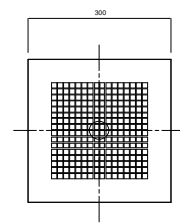
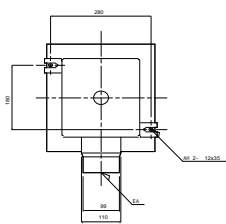
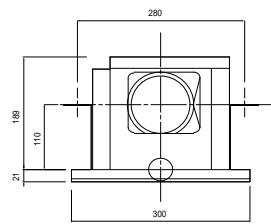
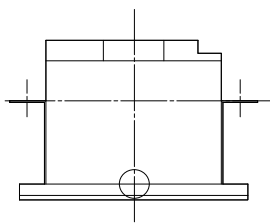
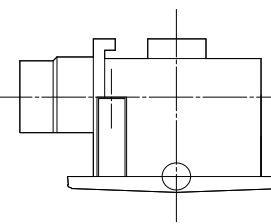
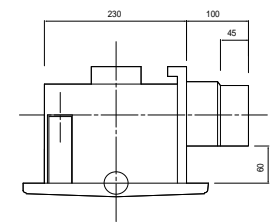
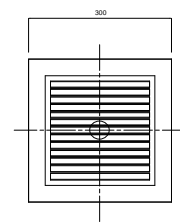
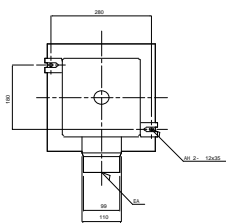
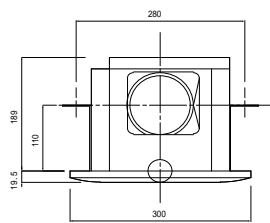
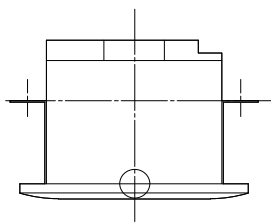
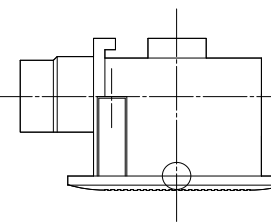
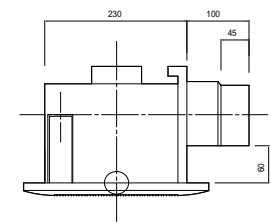
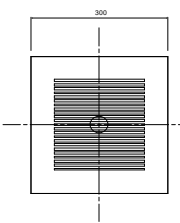
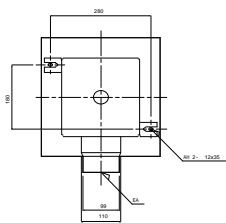
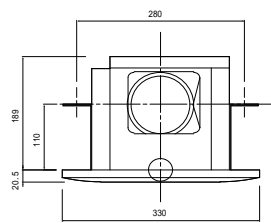
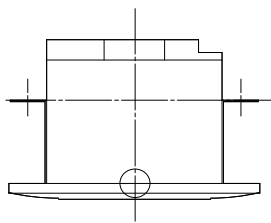
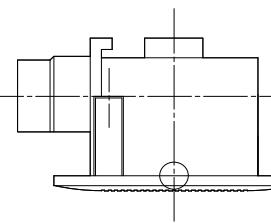
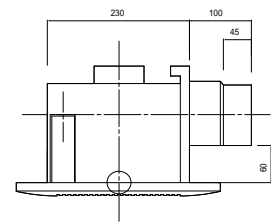
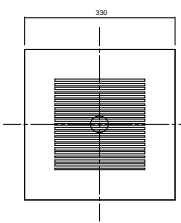
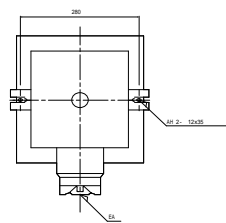
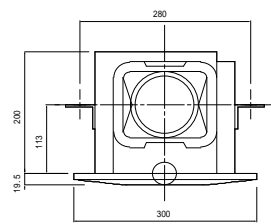
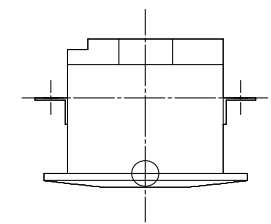
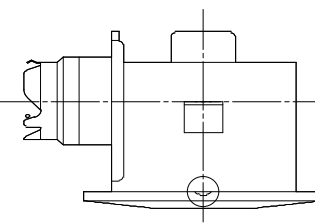
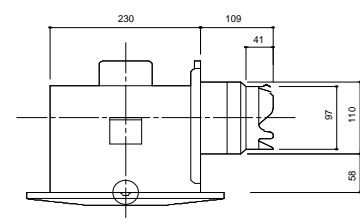
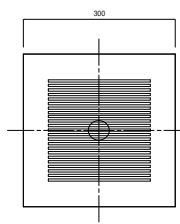
<p>20MK1001.DXF</p> 	<p>20MK1002.DXF</p> 	<p>20MK1003.DXF</p> 	<p>20MK1004.DXF</p> 	<p>20MK1005.DXF</p> 
<p>20MK1006.DXF</p> 	<p>24B71501.DXF</p> 	<p>24B71502.DXF</p> 	<p>24B71503.DXF</p> 	<p>24B71504.DXF</p> 
<p>24B71505.DXF</p> 	<p>24B71506.DXF</p> 	<p>24B72101.DXF</p> 	<p>24B72102.DXF</p> 	<p>24B72103.DXF</p> 
<p>24B72104.DXF</p> 	<p>24B72105.DXF</p> 	<p>24B72106.DXF</p> 	<p>24B73401.DXF</p> 	<p>24B73402.DXF</p> 
<p>24B73403.DXF</p> 	<p>24B73404.DXF</p> 	<p>24B73405.DXF</p> 	<p>24B73406.DXF</p> 	<p>24B75601.DXF</p> 

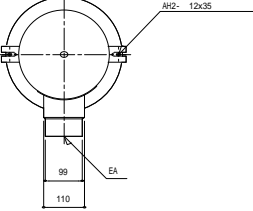
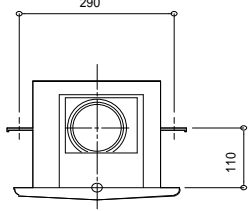
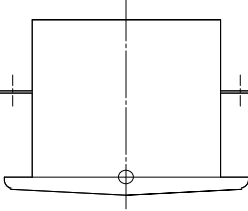
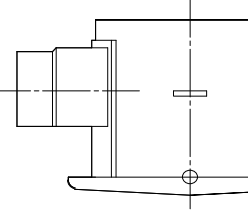
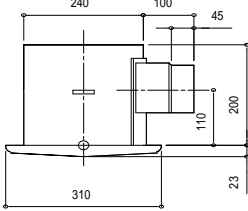
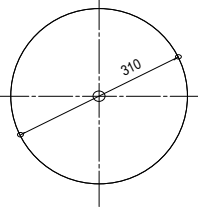
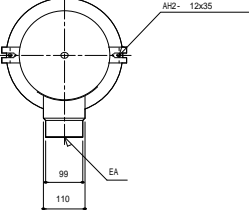
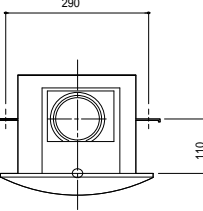
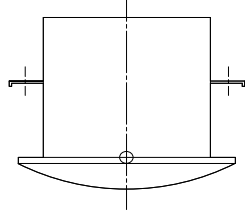
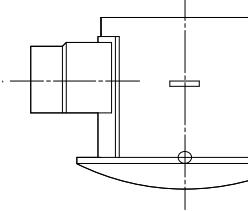
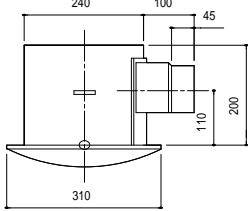
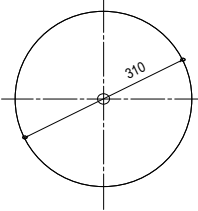
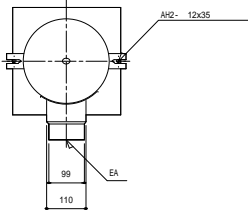
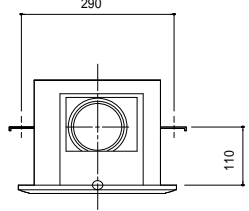
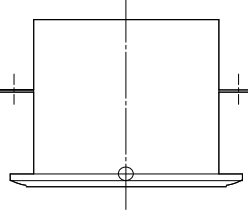
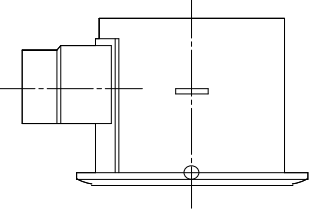
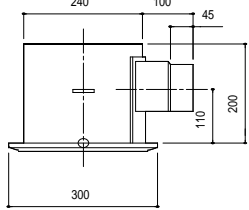
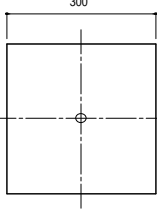
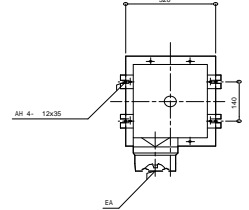
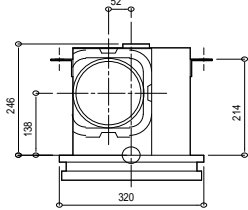
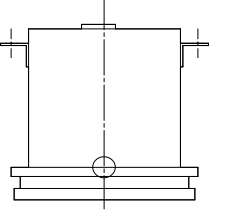
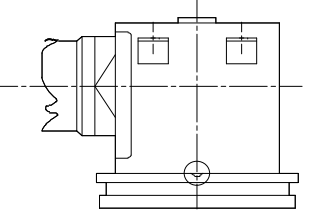
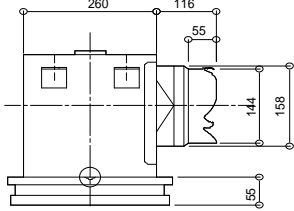
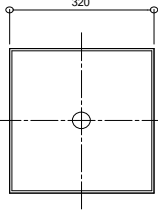
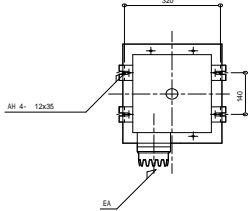
<p>24B75602.DXF</p> 	<p>24B75603.DXF</p> 	<p>24B75604.DXF</p> 	<p>24B75605.DXF</p> 	<p>24B75606.DXF</p> 
<p>24B77701.DXF</p> 	<p>24B77702.DXF</p> 	<p>24B77703.DXF</p> 	<p>24B77704.DXF</p> 	<p>24B77705.DXF</p> 
<p>24B77706.DXF</p> 	<p>24B79301.DXF</p> 	<p>24B79302.DXF</p> 	<p>24B79303.DXF</p> 	<p>24B79304.DXF</p> 
<p>24B79305.DXF</p> 	<p>24B79306.DXF</p> 	<p>24BM6K01.DXF</p> 	<p>24BM6K02.DXF</p> 	<p>24BM6K03.DXF</p> 
<p>24BM6K04.DXF</p> 	<p>24BM6K05.DXF</p> 	<p>24BM6K06.DXF</p> 	<p>24C6BL01.DXF</p> 	<p>24C6BL02.DXF</p> 

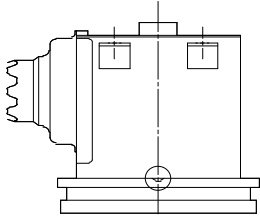
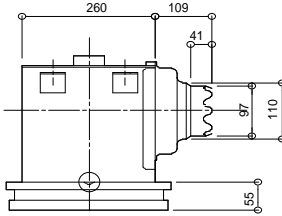
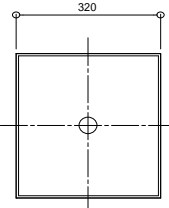
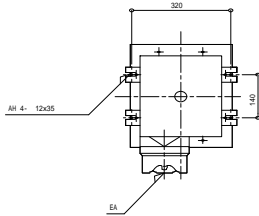
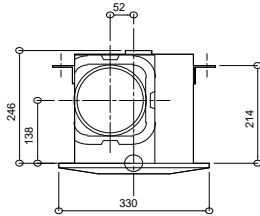
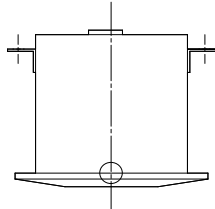
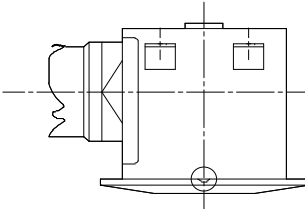
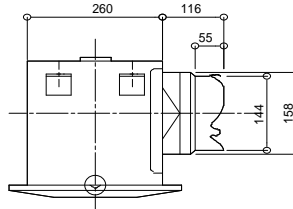
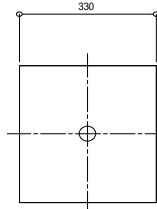
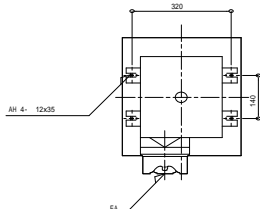
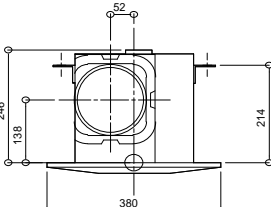
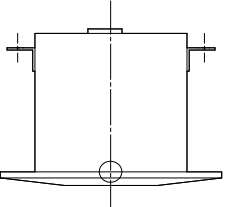
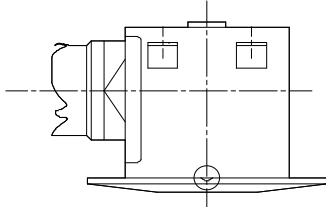
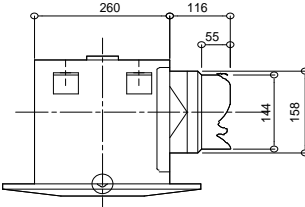
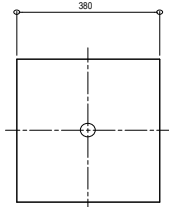
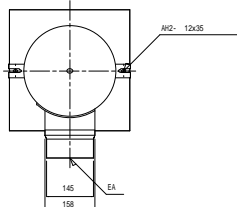
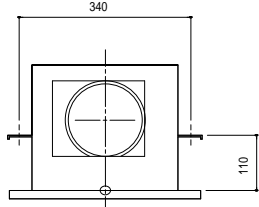
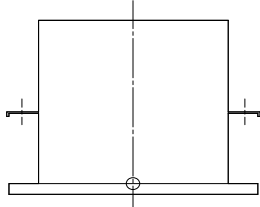
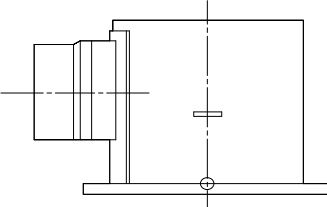
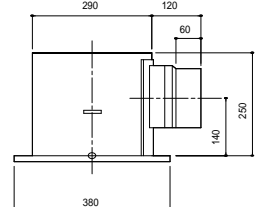
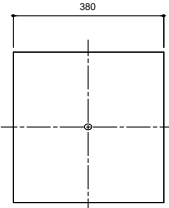
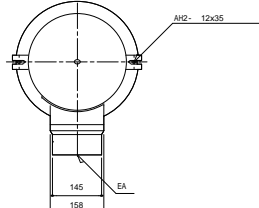
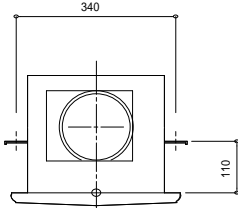
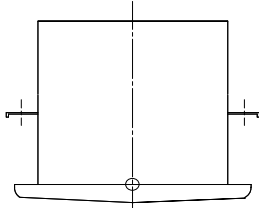
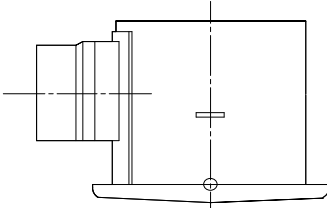
<p>24C6BL03.DXF</p> 	<p>24C6BL04.DXF</p> 	<p>24C6BL05.DXF</p> 	<p>24C6BL06.DXF</p> 	<p>24C6BL11.DXF</p> 
<p>24C6BL12.DXF</p> 	<p>24C6BL13.DXF</p> 	<p>24C6BL14.DXF</p> 	<p>24C6BL15.DXF</p> 	<p>24C6BL16.DXF</p> 
<p>24CFR7V1.DXF</p> 	<p>24CFR7V2.DXF</p> 	<p>24CFR7V3.DXF</p> 	<p>24CFR7V4.DXF</p> 	<p>24CFR7V5.DXF</p> 
<p>24CFR7V6.DXF</p> 	<p>24CFT7V1.DXF</p> 	<p>24CFT7V2.DXF</p> 	<p>24CFT7V3.DXF</p> 	<p>24CFT7V4.DXF</p> 
<p>24CFT7V5.DXF</p> 	<p>24CFT7V6.DXF</p> 	<p>24CHH701.DXF</p> 	<p>24CHH702.DXF</p> 	<p>24CHH703.DXF</p> 

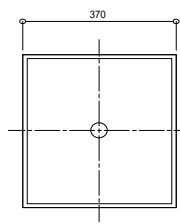
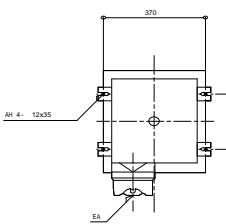
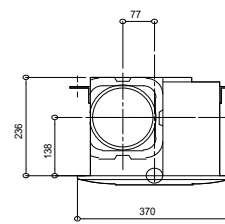
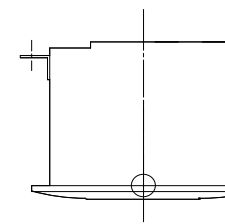
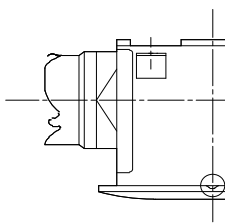
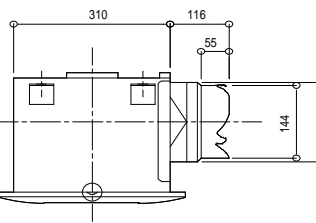
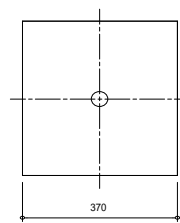
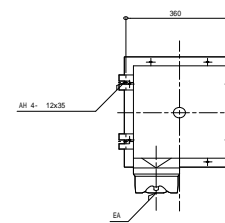
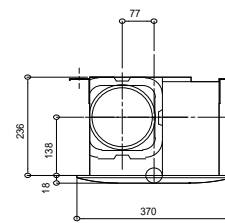
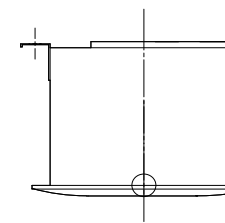
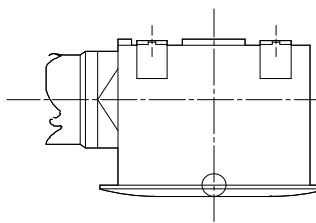
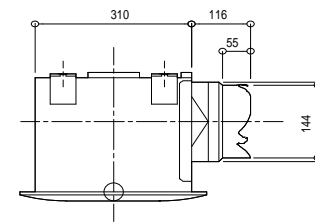
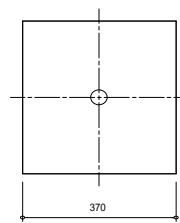
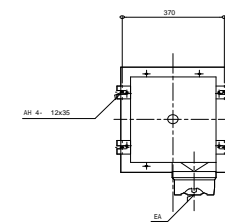
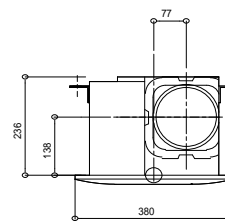
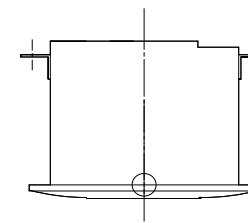
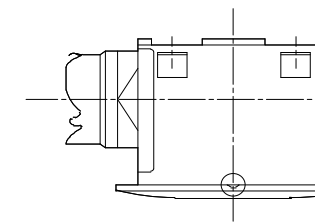
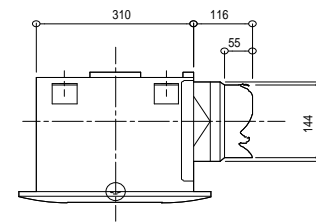
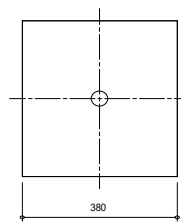
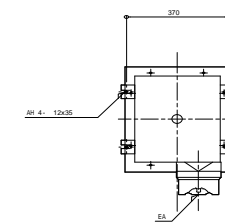
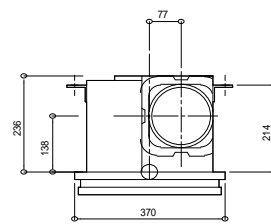
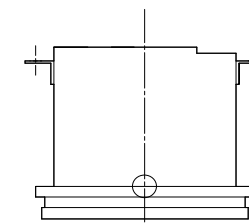
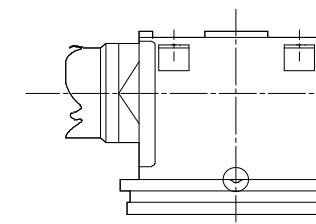
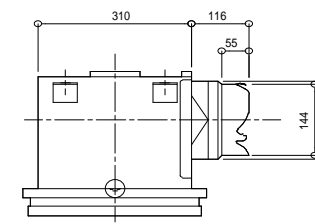
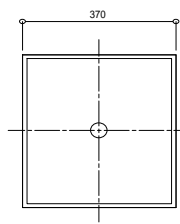
<p>24CHH704.DXF</p> 	<p>24CHH705.DXF</p> 	<p>24CHH706.DXF</p> 	<p>24CR7001.DXF</p> 	<p>24CR7002.DXF</p> 
<p>24CR7003.DXF</p> 	<p>24CR7004.DXF</p> 	<p>24CR7005.DXF</p> 	<p>24CR7006.DXF</p> 	<p>24CS7001.DXF</p> 
<p>24CS7002.DXF</p> 	<p>24CS7003.DXF</p> 	<p>24CS7004.DXF</p> 	<p>24CS7005.DXF</p> 	<p>24CS7006.DXF</p> 
<p>24CVS601.DXF</p> 	<p>24CVS602.DXF</p> 	<p>24CVS603.DXF</p> 	<p>24CVS604.DXF</p> 	<p>24CVS605.DXF</p> 
<p>24CVS606.DXF</p> 	<p>24FP7001.DXF</p> 	<p>24FP7002.DXF</p> 	<p>24FP7003.DXF</p> 	<p>24FP7004.DXF</p> 

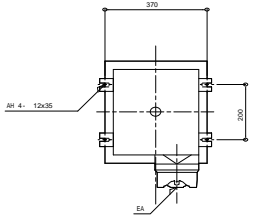
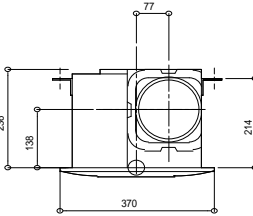
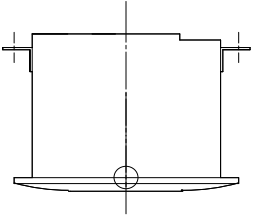
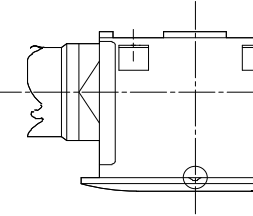
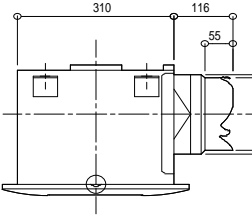
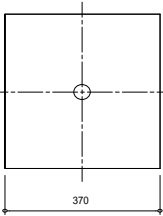
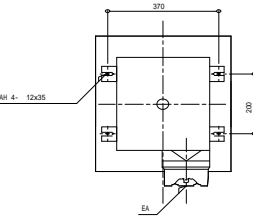
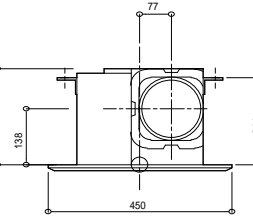
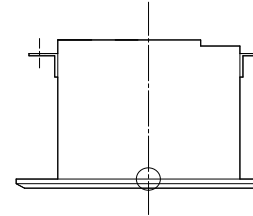
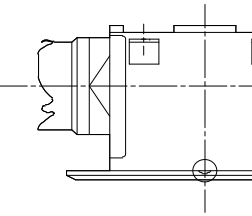
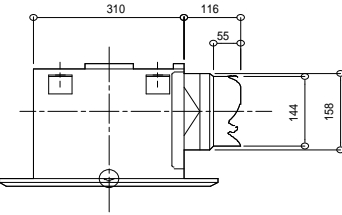
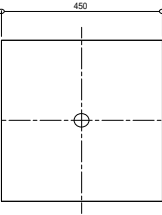
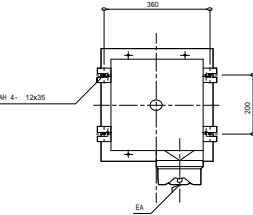
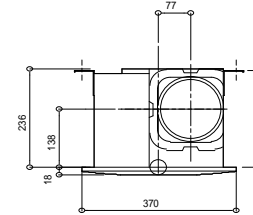
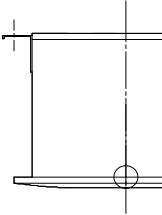
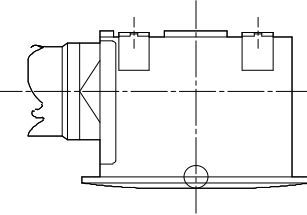
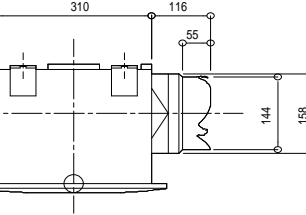
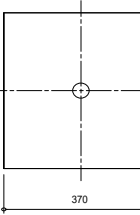
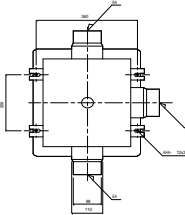
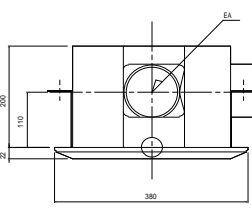
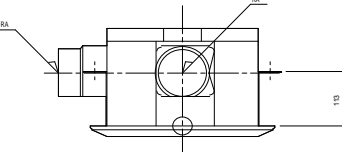
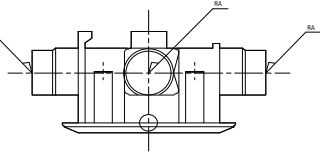
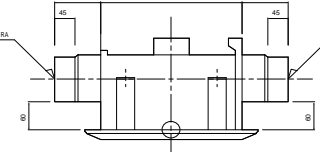
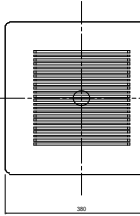
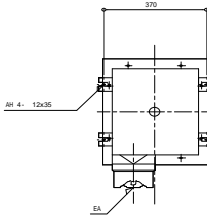
<p>24FP7005.DXF</p> 	<p>24FP7006.DXF</p> 	<p>24J75601.DXF</p> 	<p>24J75602.DXF</p> 	<p>24J75603.DXF</p> 
<p>24J75604.DXF</p> 	<p>24J75605.DXF</p> 	<p>24J75606.DXF</p> 	<p>24J77701.DXF</p> 	<p>24J77702.DXF</p> 
<p>24J77703.DXF</p> 	<p>24J77704.DXF</p> 	<p>24J77705.DXF</p> 	<p>24J77706.DXF</p> 	<p>24J79301.DXF</p> 
<p>24J79302.DXF</p> 	<p>24J79303.DXF</p> 	<p>24J79304.DXF</p> 	<p>24J79305.DXF</p> 	<p>24J79306.DXF</p> 
<p>24JD7561.DXF</p> 	<p>24JD7562.DXF</p> 	<p>24JD7563.DXF</p> 	<p>24JD7564.DXF</p> 	<p>24JD7565.DXF</p> 

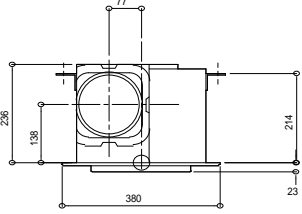
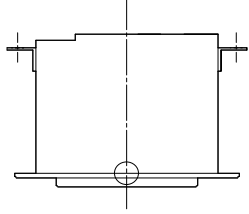
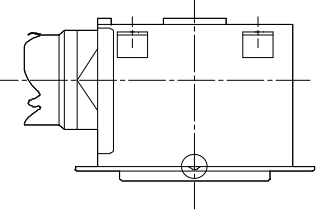
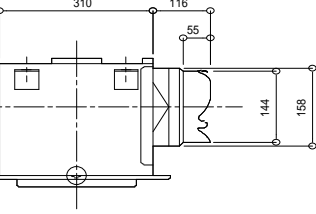
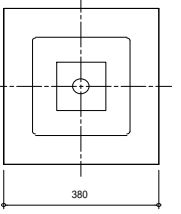
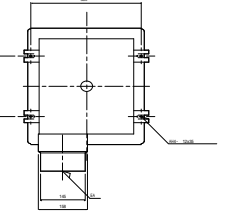
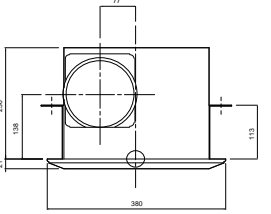
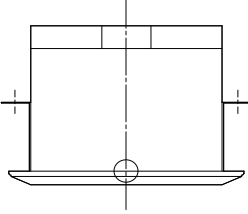
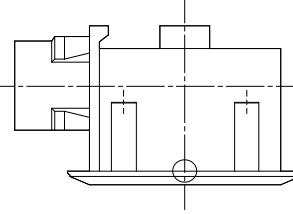
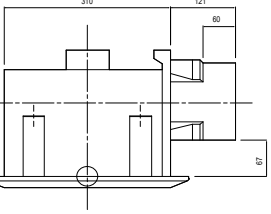
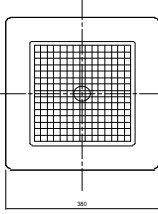
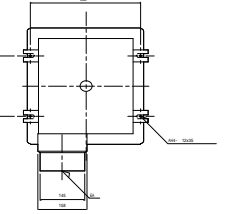
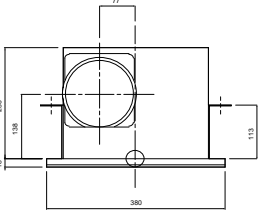
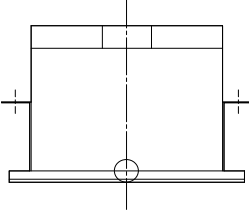
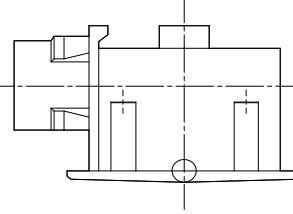
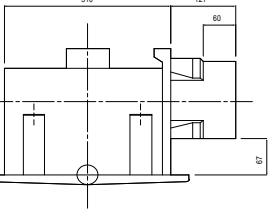
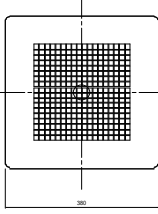
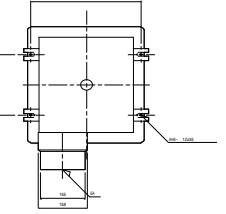
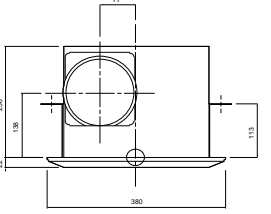
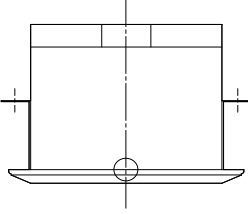
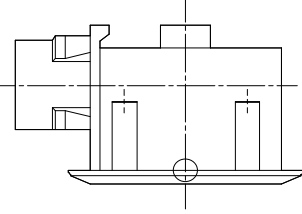
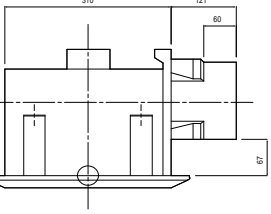
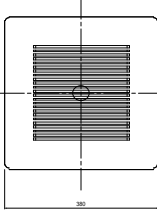
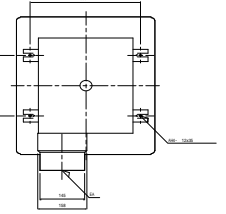
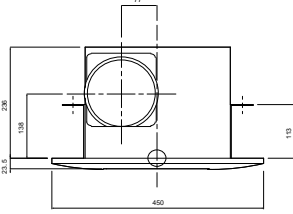
<p>24JD7566.DXF</p> 	<p>24JD7771.DXF</p> 	<p>24JD7772.DXF</p> 	<p>24JD7773.DXF</p> 	<p>24JD7774.DXF</p> 
<p>24JD7775.DXF</p> 	<p>24JD7776.DXF</p> 	<p>24JD7811.DXF</p> 	<p>24JD7812.DXF</p> 	<p>24JD7813.DXF</p> 
<p>24JD7814.DXF</p> 	<p>24JD7815.DXF</p> 	<p>24JD7816.DXF</p> 	<p>24JD7931.DXF</p> 	<p>24JD7932.DXF</p> 
<p>24JD7933.DXF</p> 	<p>24JD7934.DXF</p> 	<p>24JD7935.DXF</p> 	<p>24JD7936.DXF</p> 	<p>24S70001.DXF</p> 
<p>24S70002.DXF</p> 	<p>24S70003.DXF</p> 	<p>24S70004.DXF</p> 	<p>24S70005.DXF</p> 	<p>24S70006.DXF</p> 

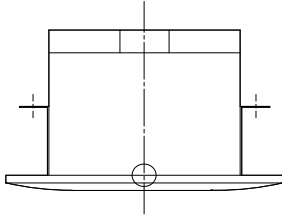
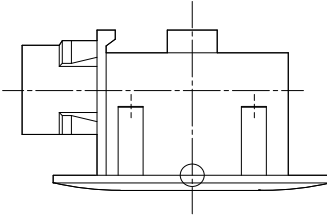
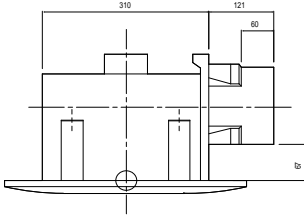
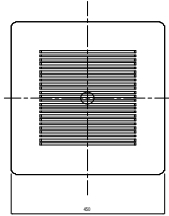
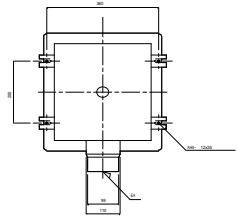
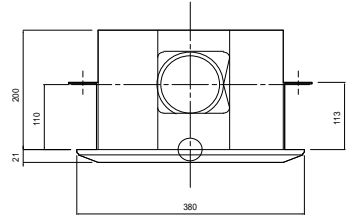
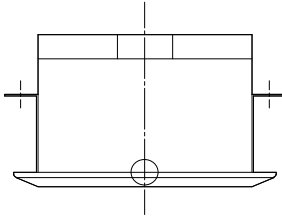
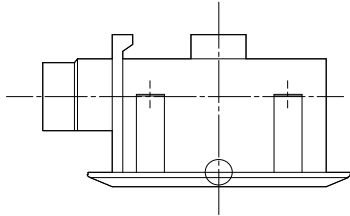
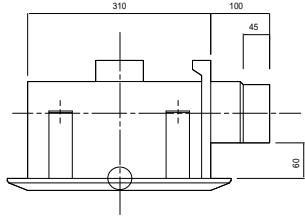
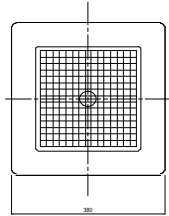
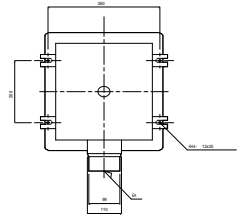
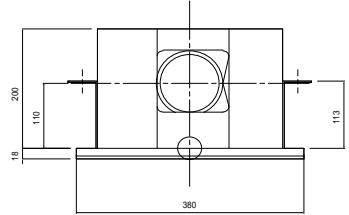
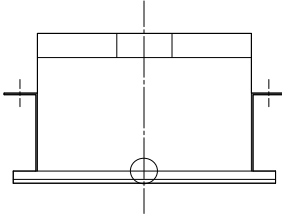
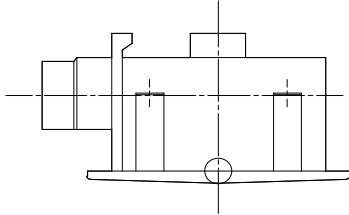
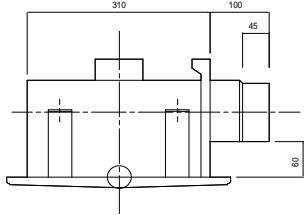
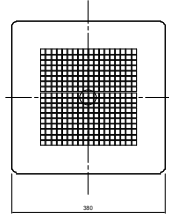
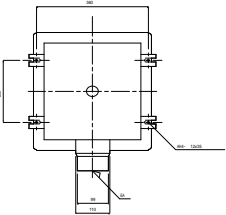
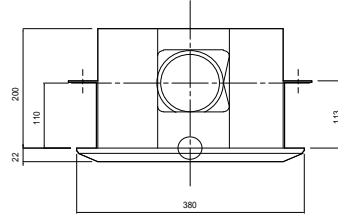
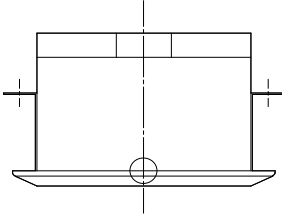
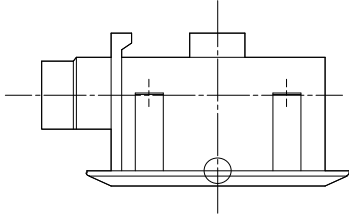
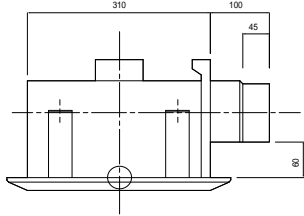
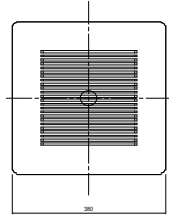
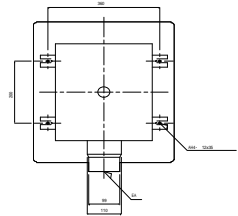
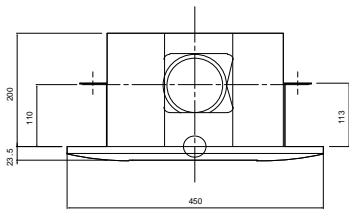
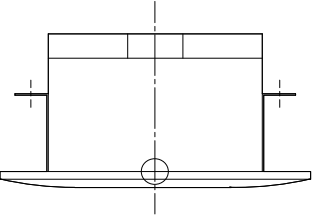
<p>25MC1001.DXF</p> 	<p>25MC1002.DXF</p> 	<p>25MC1003.DXF</p> 	<p>25MC1004.DXF</p> 	<p>25MC1005.DXF</p> 
<p>25MC1006.DXF</p> 	<p>25MCB101.DXF</p> 	<p>25MCB102.DXF</p> 	<p>25MCB103.DXF</p> 	<p>25MCB104.DXF</p> 
<p>25MCB105.DXF</p> 	<p>25MCB106.DXF</p> 	<p>25MK1001.DXF</p> 	<p>25MK1002.DXF</p> 	<p>25MK1003.DXF</p> 
<p>25MK1004.DXF</p> 	<p>25MK1005.DXF</p> 	<p>25MK1006.DXF</p> 	<p>27B72501.DXF</p> 	<p>27B72502.DXF</p> 
<p>27B72503.DXF</p> 	<p>27B72504.DXF</p> 	<p>27B72505.DXF</p> 	<p>27B72506.DXF</p> 	<p>27BMS601.DXF</p> 

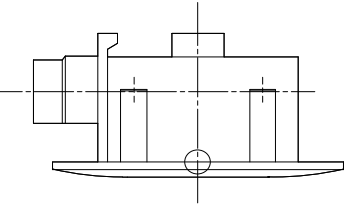
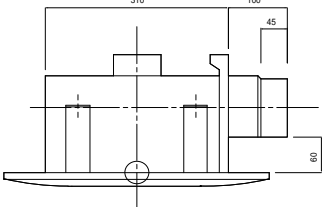
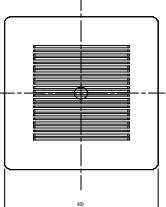
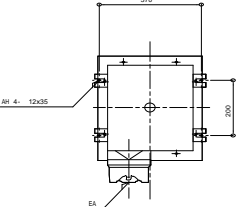
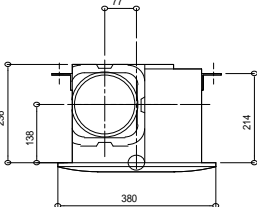
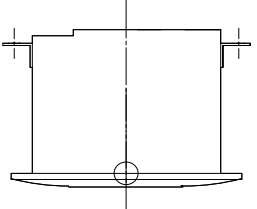
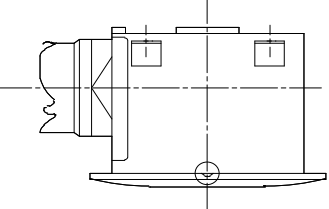
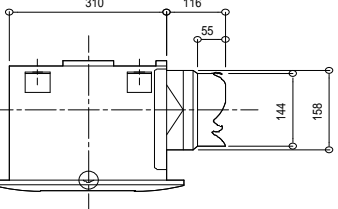
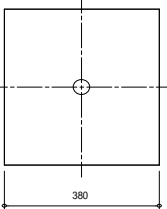
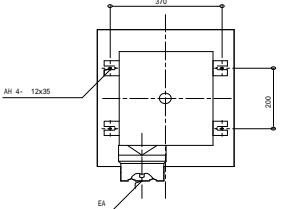
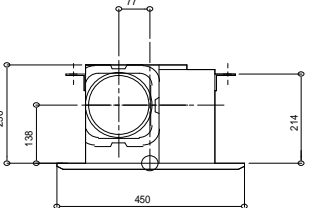
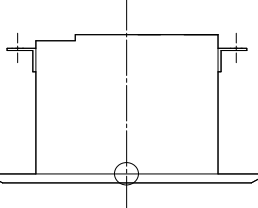
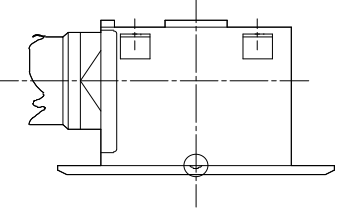
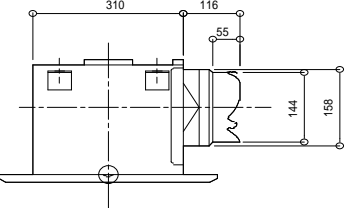
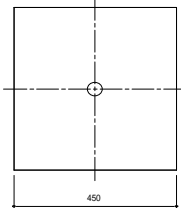
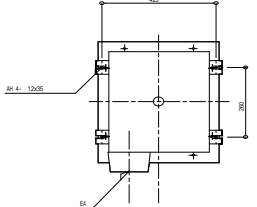
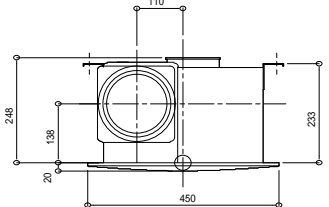
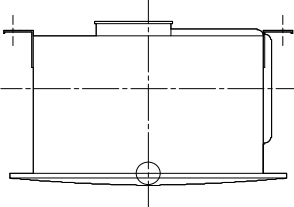
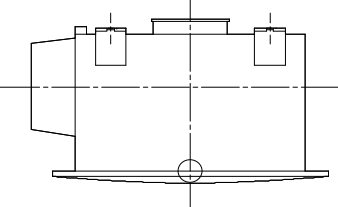
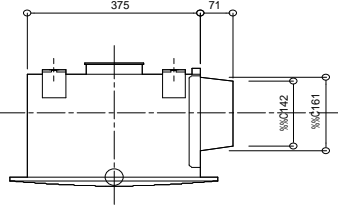
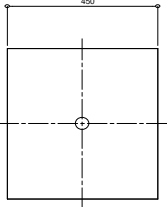
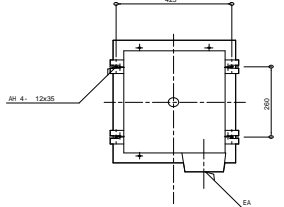
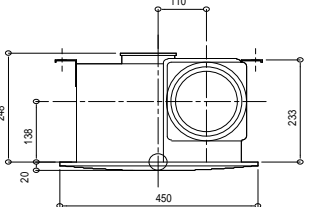
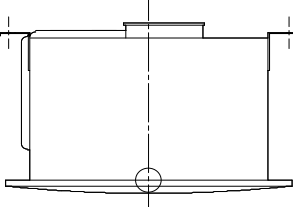
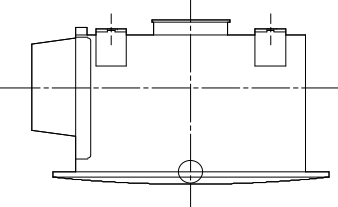
<p>27MS6214.DXF</p> 	<p>27MS6215.DXF</p> 	<p>27MS6216.DXF</p> 	<p>27S70001.DXF</p> 	<p>27S70002.DXF</p> 
<p>27S70003.DXF</p> 	<p>27S70004.DXF</p> 	<p>27S70005.DXF</p> 	<p>27S70006.DXF</p> 	<p>27S79301.DXF</p> 
<p>27S79302.DXF</p> 	<p>27S79303.DXF</p> 	<p>27S79304.DXF</p> 	<p>27S79305.DXF</p> 	<p>27S79306.DXF</p> 
<p>30MB1631.DXF</p> 	<p>30MB1632.DXF</p> 	<p>30MB1633.DXF</p> 	<p>30MB1634.DXF</p> 	<p>30MB1635.DXF</p> 
<p>30MB1636.DXF</p> 	<p>30MC1001.DXF</p> 	<p>30MC1002.DXF</p> 	<p>30MC1003.DXF</p> 	<p>30MC1004.DXF</p> 

<p>32B7H256.DXF</p> 	<p>32B7H341.DXF</p> 	<p>32B7H342.DXF</p> 	<p>32B7H343.DXF</p> 	<p>32B7H344.DXF</p> 
<p>32B7H345.DXF</p> 	<p>32B7H346.DXF</p> 	<p>32B7HB21.DXF</p> 	<p>32B7HB22.DXF</p> 	<p>32B7HB23.DXF</p> 
<p>32B7HB24.DXF</p> 	<p>32B7HB25.DXF</p> 	<p>32B7HB26.DXF</p> 	<p>32B7M001.DXF</p> 	<p>32B7M002.DXF</p> 
<p>32B7M003.DXF</p> 	<p>32B7M004.DXF</p> 	<p>32B7M005.DXF</p> 	<p>32B7M006.DXF</p> 	<p>32B7M251.DXF</p> 
<p>32B7M252.DXF</p> 	<p>32B7M253.DXF</p> 	<p>32B7M254.DXF</p> 	<p>32B7M255.DXF</p> 	<p>32B7M256.DXF</p> 

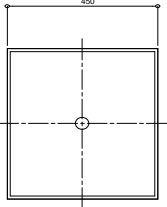
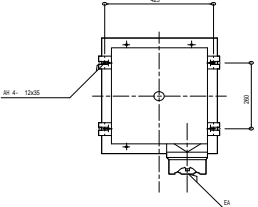
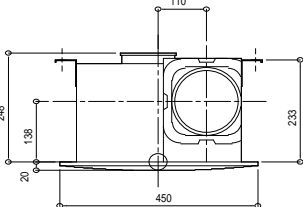
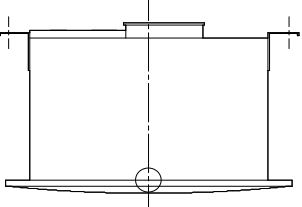
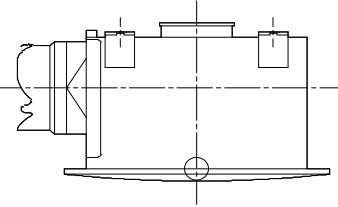
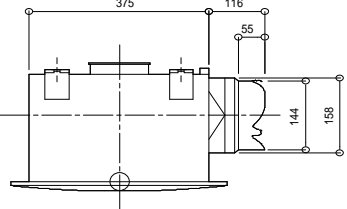
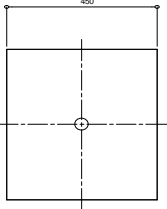
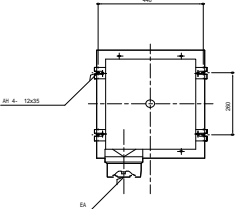
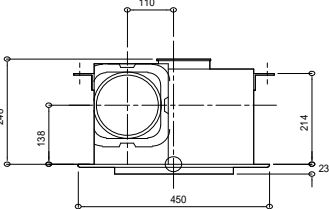
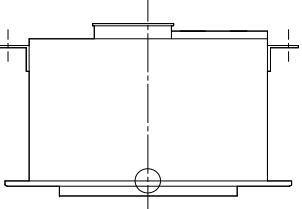
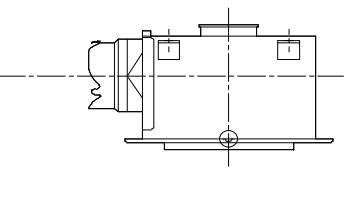
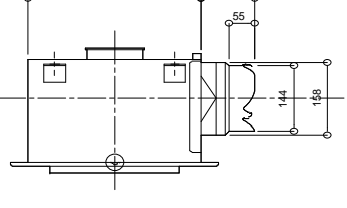
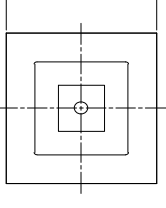
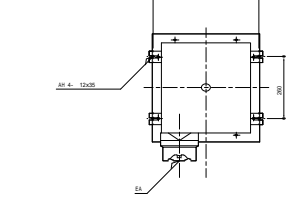
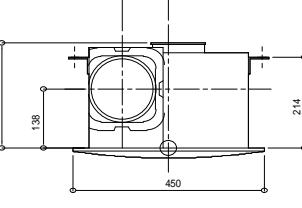
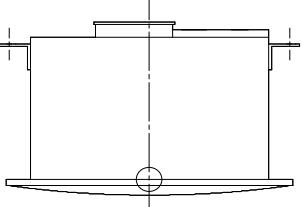
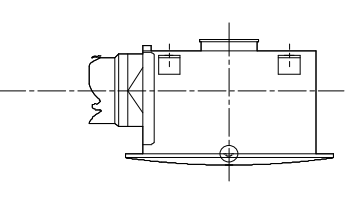
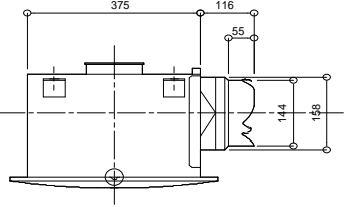
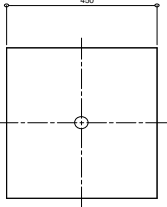
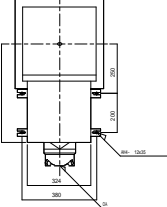
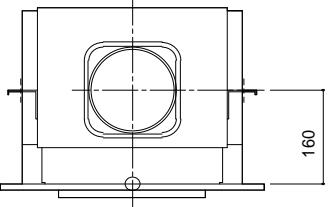
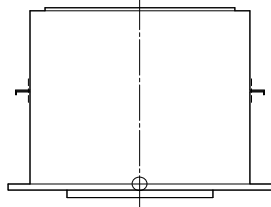
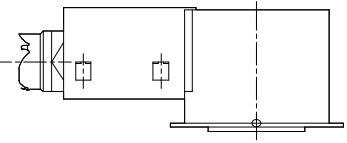
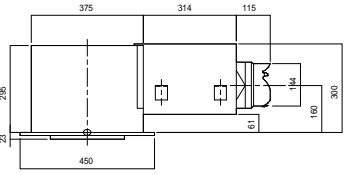
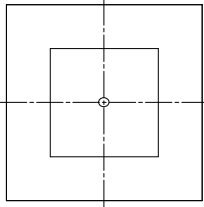
<p>32B7M341.DXF</p> 	<p>32B7M342.DXF</p> 	<p>32B7M343.DXF</p> 	<p>32B7M344.DXF</p> 	<p>32B7M345.DXF</p> 
<p>32B7M346.DXF</p> 	<p>32B7M931.DXF</p> 	<p>32B7M932.DXF</p> 	<p>32B7M933.DXF</p> 	<p>32B7M934.DXF</p> 
<p>32B7M935.DXF</p> 	<p>32B7M936.DXF</p> 	<p>32B7MB21.DXF</p> 	<p>32B7MB22.DXF</p> 	<p>32B7MB23.DXF</p> 
<p>32B7MB24.DXF</p> 	<p>32B7MB25.DXF</p> 	<p>32B7MB26.DXF</p> 	<p>32CDT701.DXF</p> 	<p>32CDT702.DXF</p> 
<p>32CDT703.DXF</p> 	<p>32CDT704.DXF</p> 	<p>32CDT705.DXF</p> 	<p>32CDT706.DXF</p> 	<p>32FP7001.DXF</p> 

<p>32FP7002.DXF</p> 	<p>32FP7003.DXF</p> 	<p>32FP7004.DXF</p> 	<p>32FP7005.DXF</p> 	<p>32FP7006.DXF</p> 
<p>32J74701.DXF</p> 	<p>32J74702.DXF</p> 	<p>32J74703.DXF</p> 	<p>32J74704.DXF</p> 	<p>32J74705.DXF</p> 
<p>32J74706.DXF</p> 	<p>32J75601.DXF</p> 	<p>32J75602.DXF</p> 	<p>32J75603.DXF</p> 	<p>32J75604.DXF</p> 
<p>32J75605.DXF</p> 	<p>32J75606.DXF</p> 	<p>32J78101.DXF</p> 	<p>32J78102.DXF</p> 	<p>32J78103.DXF</p> 
<p>32J78104.DXF</p> 	<p>32J78105.DXF</p> 	<p>32J78106.DXF</p> 	<p>32J79301.DXF</p> 	<p>32J79302.DXF</p> 

<p>32J79303.DXF</p> 	<p>32J79304.DXF</p> 	<p>32J79305.DXF</p> 	<p>32J79306.DXF</p> 	<p>32JSD741.DXF</p> 
<p>32JSD742.DXF</p> 	<p>32JSD743.DXF</p> 	<p>32JSD744.DXF</p> 	<p>32JSD745.DXF</p> 	<p>32JSD746.DXF</p> 
<p>32JSD751.DXF</p> 	<p>32JSD752.DXF</p> 	<p>32JSD753.DXF</p> 	<p>32JSD754.DXF</p> 	<p>32JSD755.DXF</p> 
<p>32JSD756.DXF</p> 	<p>32JSD781.DXF</p> 	<p>32JSD782.DXF</p> 	<p>32JSD783.DXF</p> 	<p>32JSD784.DXF</p> 
<p>32JSD785.DXF</p> 	<p>32JSD786.DXF</p> 	<p>32JSD791.DXF</p> 	<p>32JSD792.DXF</p> 	<p>32JSD793.DXF</p> 

<p>32JSD794.DXF</p> 	<p>32JSD795.DXF</p> 	<p>32JSD796.DXF</p> 	<p>32S70001.DXF</p> 	<p>32S70002.DXF</p> 
<p>32S70003.DXF</p> 	<p>32S70004.DXF</p> 	<p>32S70005.DXF</p> 	<p>32S70006.DXF</p> 	<p>32S79301.DXF</p> 
<p>32S79302.DXF</p> 	<p>32S79303.DXF</p> 	<p>32S79304.DXF</p> 	<p>32S79305.DXF</p> 	<p>32S79306.DXF</p> 
<p>38B6THK1.DXF</p> 	<p>38B6THK2.DXF</p> 	<p>38B6THK3.DXF</p> 	<p>38B6THK4.DXF</p> 	<p>38B6THK5.DXF</p> 
<p>38B6THK6.DXF</p> 	<p>38B6TMK1.DXF</p> 	<p>38B6TMK2.DXF</p> 	<p>38B6TMK3.DXF</p> 	<p>38B6TMK4.DXF</p> 

38B6TMK5.DXF 	38B6TMK6.DXF 	38B7H251.DXF 	38B7H252.DXF 	38B7H253.DXF
38B7H254.DXF 	38B7H255.DXF 	38B7H256.DXF 	38B7HB31.DXF 	38B7HB32.DXF
38B7HB33.DXF 	38B7HB34.DXF 	38B7HB35.DXF 	38B7HB36.DXF 	38B7M001.DXF
38B7M002.DXF 	38B7M003.DXF 	38B7M004.DXF 	38B7M005.DXF 	38B7M006.DXF
38B7M251.DXF 	38B7M252.DXF 	38B7M253.DXF 	38B7M254.DXF 	38B7M255.DXF

38B7M256.DXF 	38B7MB31.DXF 	38B7MB32.DXF 	38B7MB33.DXF 	38B7MB34.DXF 
38B7MB35.DXF 	38B7MB36.DXF 	38FP7001.DXF 	38FP7002.DXF 	38FP7003.DXF 
38FP7004.DXF 	38FP7005.DXF 	38FP7006.DXF 	38S70001.DXF 	38S70002.DXF 
38S70003.DXF 	38S70004.DXF 	38S70005.DXF 	38S70006.DXF 	38SA7001.DXF 
38SA7002.DXF 	38SA7003.DXF 	38SA7004.DXF 	38SA7005.DXF 	38SA7006.DXF 

<p>8R000001.DXF</p>	<p>8R000002.DXF</p>	<p>8R000003.DXF</p>	<p>8R000004.DXF</p>	<p>8R000005.DXF</p>
<p>8R000006.DXF</p>	<p>C20R0001.DXF</p> <p>*取付可能天井材厚み</p>	<p>C20R0002.DXF</p> <p>*取付可能天井材厚み</p>	<p>C20R0003.DXF</p> <p>*取付可能天井材厚み</p>	<p>C20R0004.DXF</p> <p>*取付可能天井材厚み</p>
<p>C20R0005.DXF</p> <p>*取付可能天井材厚み</p>	<p>C20R0006.DXF</p> <p>*取付可能天井材厚み</p>	<p>C24R0001.DXF</p> <p>*取付可能天井材厚み</p>	<p>C24R0002.DXF</p> <p>*取付可能天井材厚み</p>	<p>C24R0003.DXF</p> <p>*取付可能天井材厚み</p>
<p>C24R0004.DXF</p> <p>*取付可能天井材厚み</p>	<p>C24R0005.DXF</p> <p>*取付可能天井材厚み</p>	<p>C24R0006.DXF</p> <p>*取付可能天井材厚み</p>		