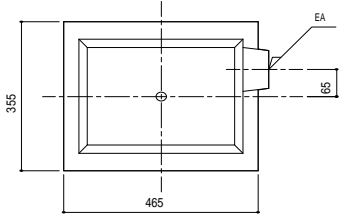
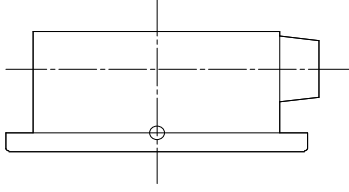
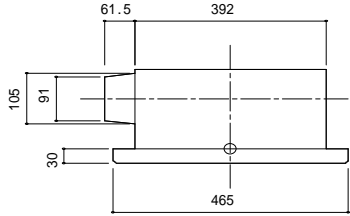
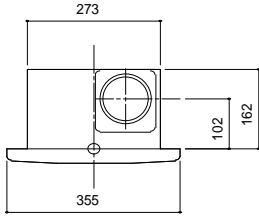
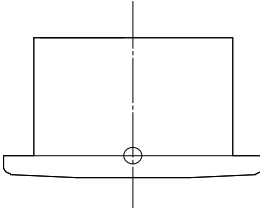
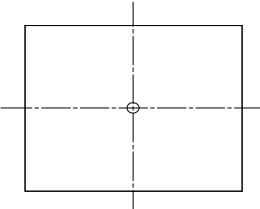
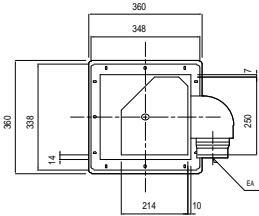
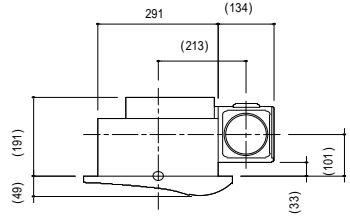
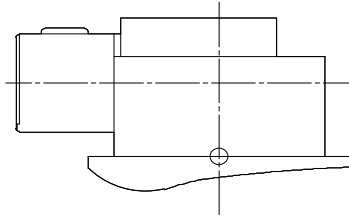
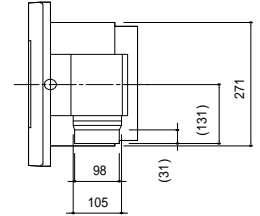
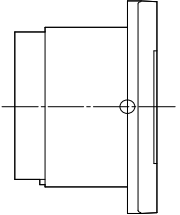
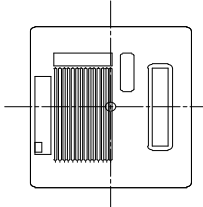
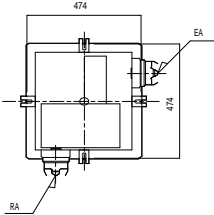
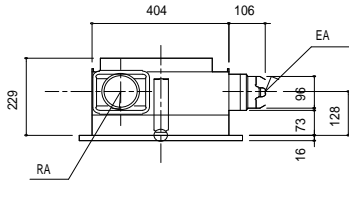
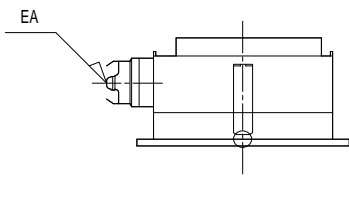
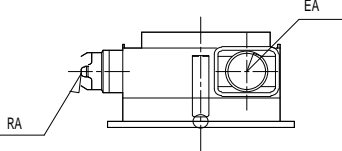
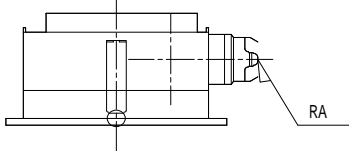
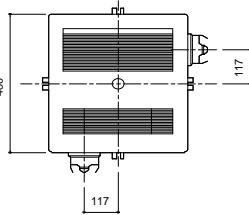
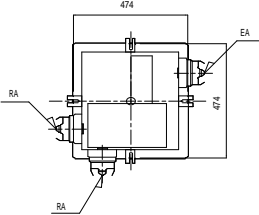
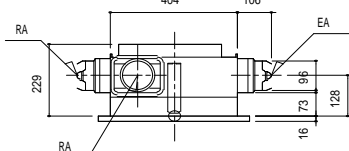
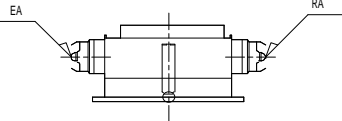
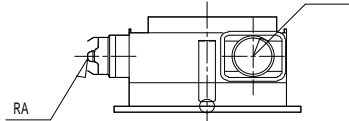
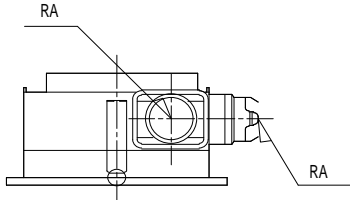
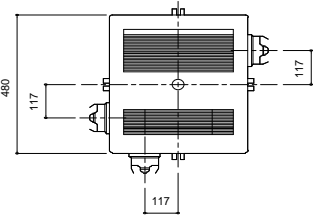
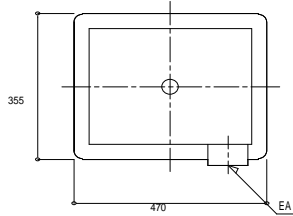
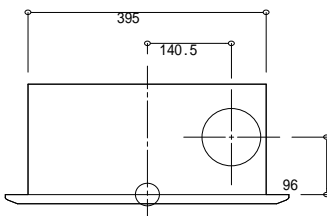
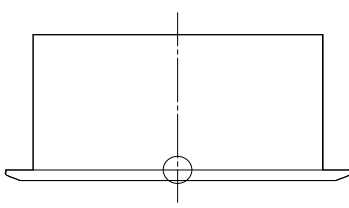
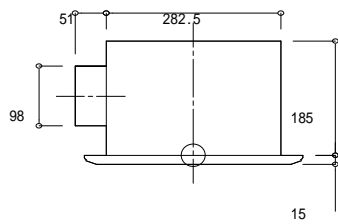
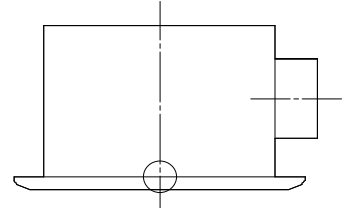
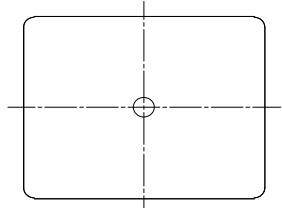
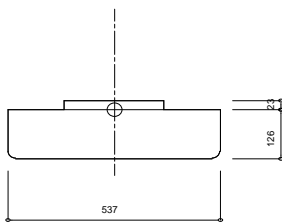
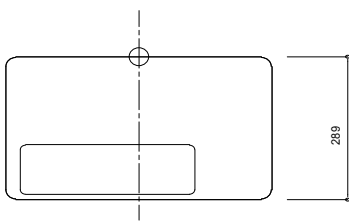
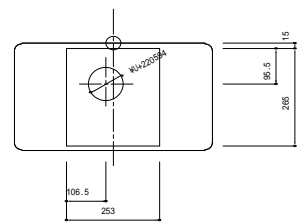
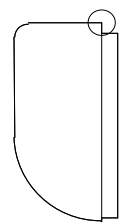
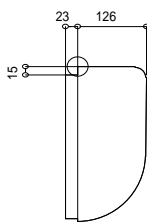
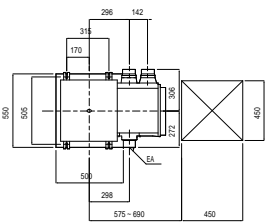
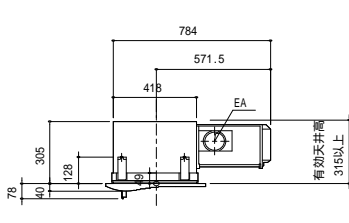
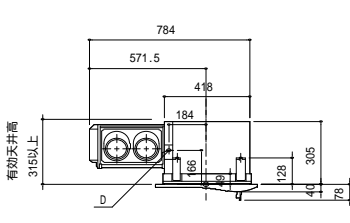
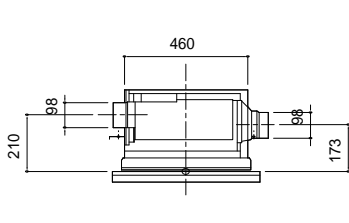
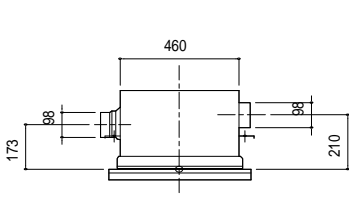
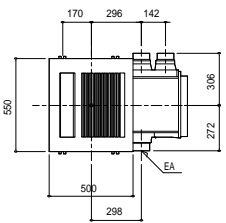
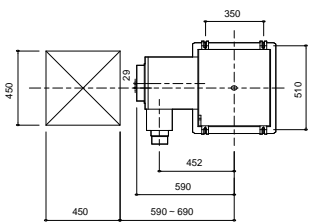
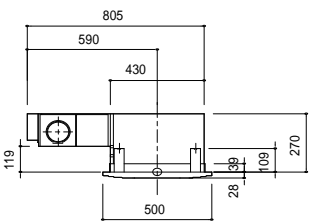
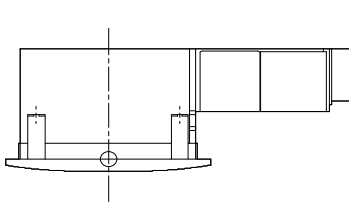
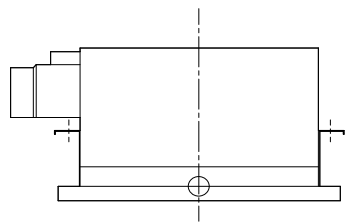
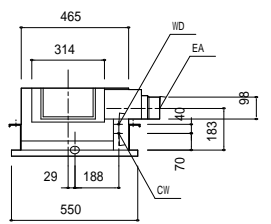
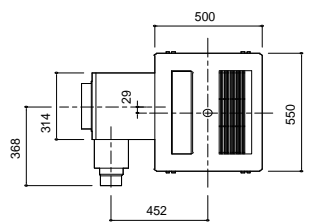
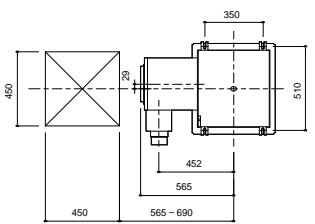
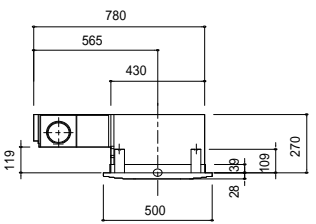
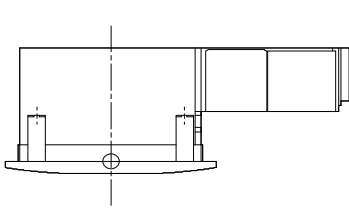
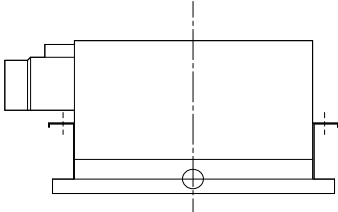
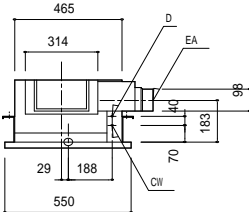
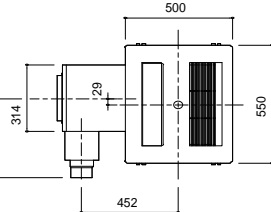
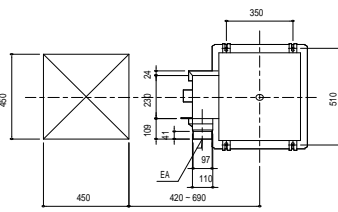
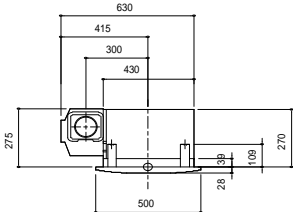
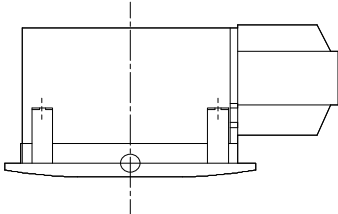
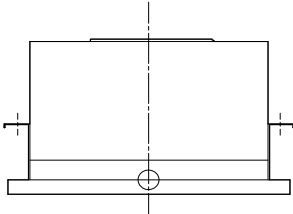
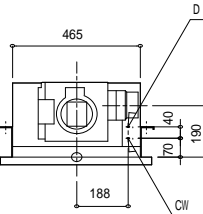
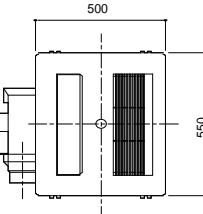
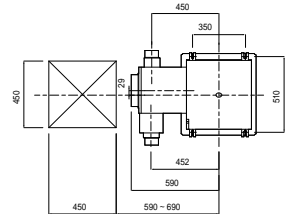
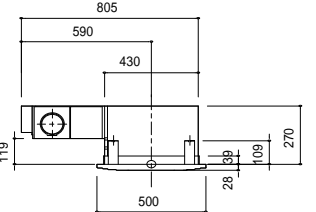
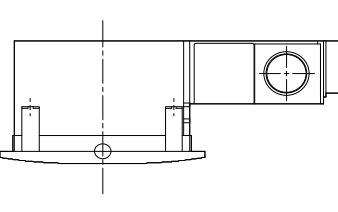
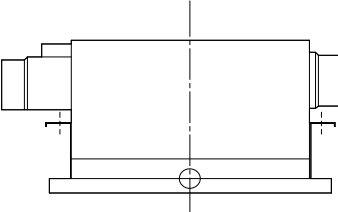
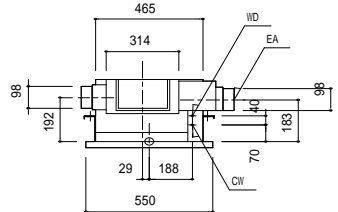
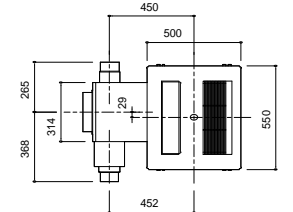
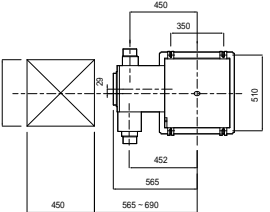
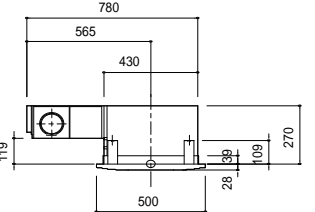
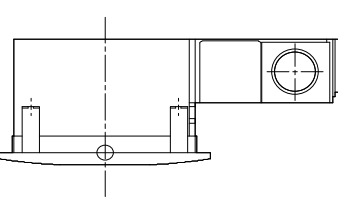
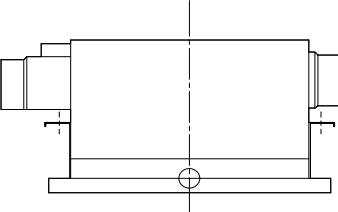
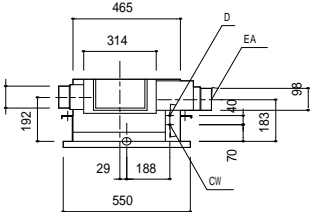
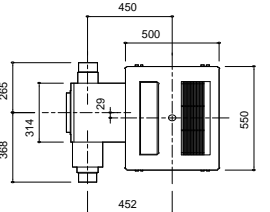
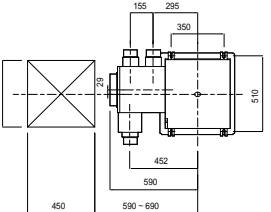
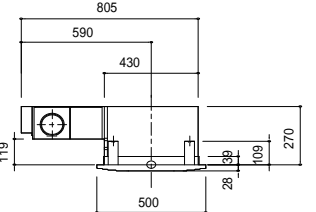
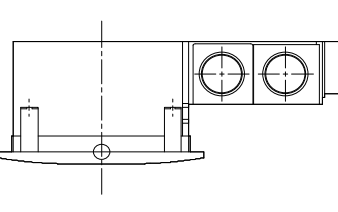
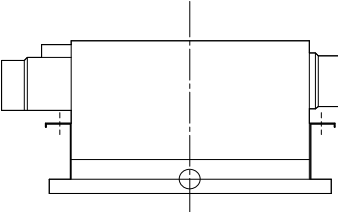
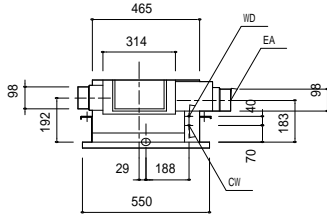
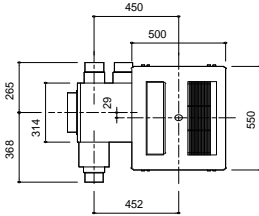
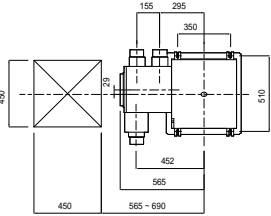
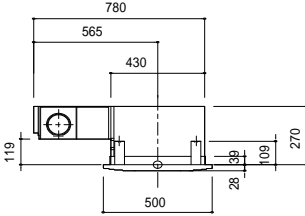
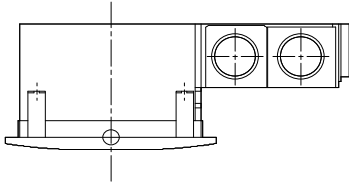


<p>13UG3001.DXF</p> 	<p>13UG3002.DXF</p> 	<p>13UG3003.DXF</p> 	<p>13UG3004.DXF</p> 	<p>13UG3005.DXF</p> 
<p>13UG3006.DXF</p> 	<p>13UG5V01.DXF</p> 	<p>13UG5V02.DXF</p> 	<p>13UG5V03.DXF</p> 	<p>13UG5V04.DXF</p> 
<p>13UG5V05.DXF</p> 	<p>13UG5V06.DXF</p> 	<p>13UGPS31.DXF</p> 	<p>13UGPS32.DXF</p> 	<p>13UGPS33.DXF</p> 
<p>13UGPS34.DXF</p> 	<p>13UGPS35.DXF</p> 	<p>13UGPS36.DXF</p> 	<p>13UGT3D1.DXF</p> 	<p>13UGT3D2.DXF</p> 
<p>13UGT3D3.DXF</p> 	<p>13UGT3D4.DXF</p> 	<p>13UGT3D5.DXF</p> 	<p>13UGT3D6.DXF</p> 	<p>14UF3001.DXF</p> 

<p>14UF3002.DXF</p> 	<p>14UF3003.DXF</p> 	<p>14UF3004.DXF</p> 	<p>14UF3005.DXF</p> 	<p>14UF3006.DXF</p> 
<p>14UWLM31.DXF</p> 	<p>14UWLM32.DXF</p> 	<p>14UWLM33.DXF</p> 	<p>14UWLM34.DXF</p> 	<p>14UWLM35.DXF</p> 
<p>18UXT101.DXF</p> 	<p>18UXT102.DXF</p> 	<p>18UXT103.DXF</p> 	<p>18UXT104.DXF</p> 	<p>18UXT105.DXF</p> 
<p>18UXT106.DXF</p> 	<p>28US1001.DXF</p> 	<p>28US1002.DXF</p> 	<p>28US1003.DXF</p> 	<p>28US1004.DXF</p> 
<p>28US1005.DXF</p> 	<p>28US1006.DXF</p> 	<p>28US3001.DXF</p> 	<p>28US3002.DXF</p> 	<p>28US3003.DXF</p> 

<p>28US3004.DXF</p> 	<p>28US3005.DXF</p> 	<p>28US3006.DXF</p> 	<p>28US3S01.DXF</p> 	<p>28US3S02.DXF</p> 
<p>28US3S03.DXF</p> 	<p>28US3S04.DXF</p> 	<p>28US3S05.DXF</p> 	<p>28US3S06.DXF</p> 	<p>28USP101.DXF</p> 
<p>28USP102.DXF</p> 	<p>28USP103.DXF</p> 	<p>28USP104.DXF</p> 	<p>28USP105.DXF</p> 	<p>28USP106.DXF</p> 
<p>28USP301.DXF</p> 	<p>28USP302.DXF</p> 	<p>28USP303.DXF</p> 	<p>28USP304.DXF</p> 	<p>28USP305.DXF</p> 
<p>28USP306.DXF</p> 	<p>28UST101.DXF</p> 	<p>28UST102.DXF</p> 	<p>28UST103.DXF</p> 	<p>28UST104.DXF</p> 

28UST105.DXF	28UST106.DXF	28UST301.DXF	28UST302.DXF	28UST303.DXF
				
28UST304.DXF	28UST305.DXF	28UST306.DXF		
