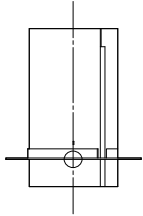
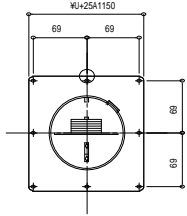
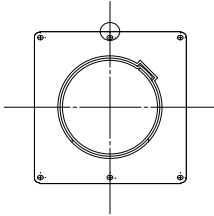
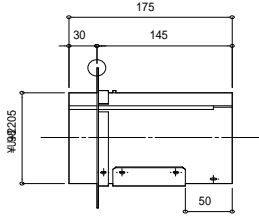
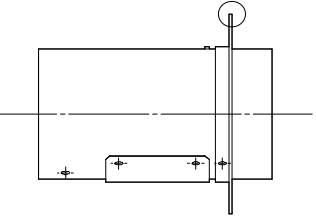
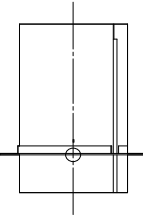
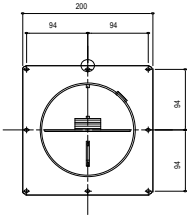
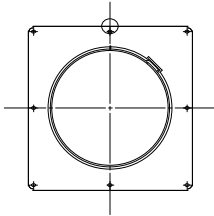
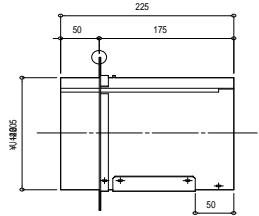
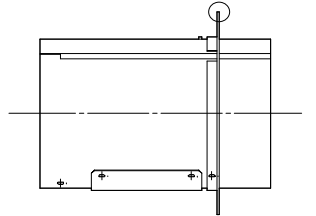
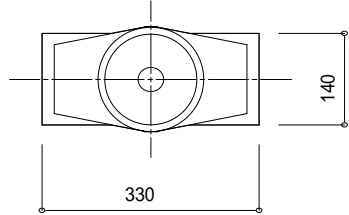
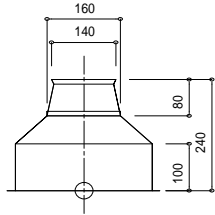
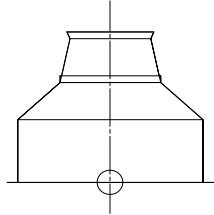
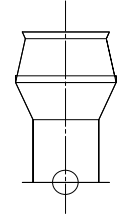
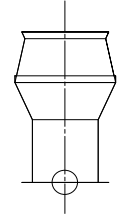
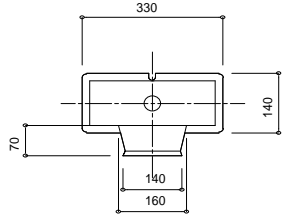
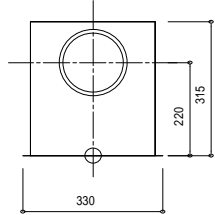
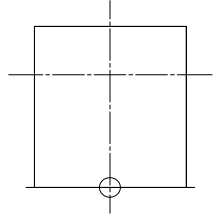
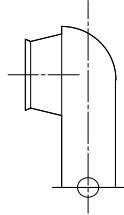
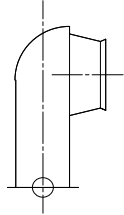
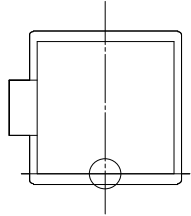
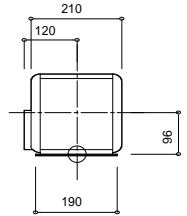
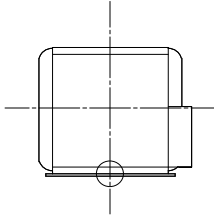
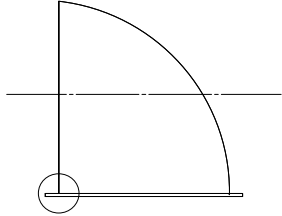
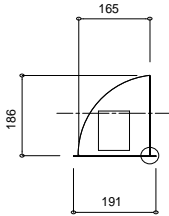
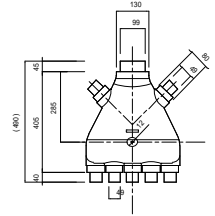
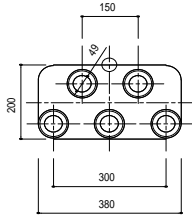
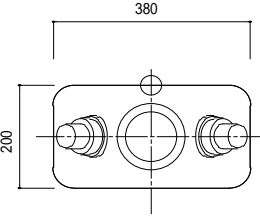
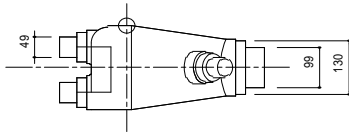
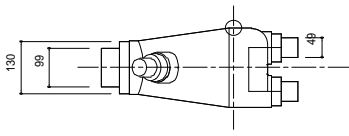
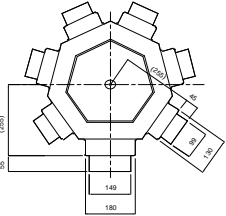
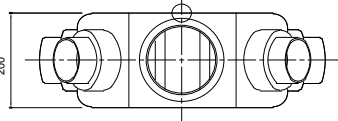
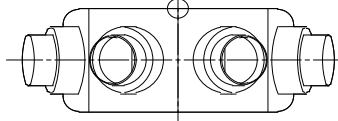
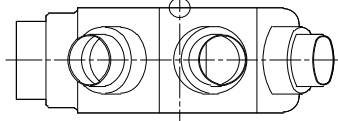
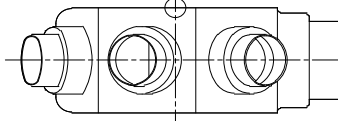
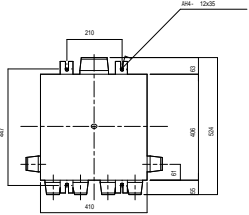
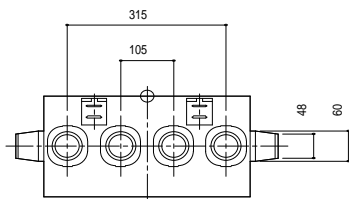
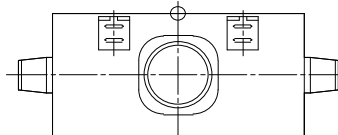
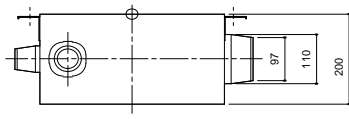
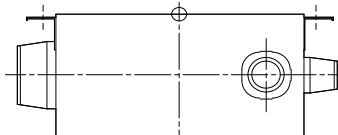
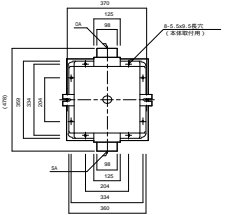
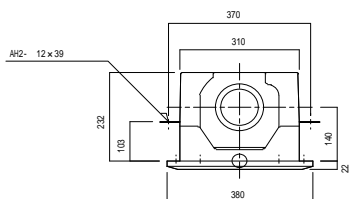
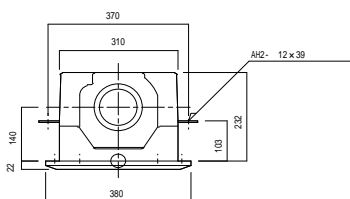
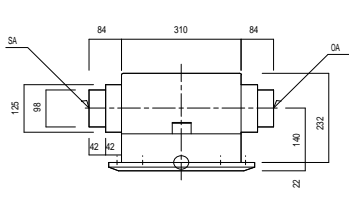
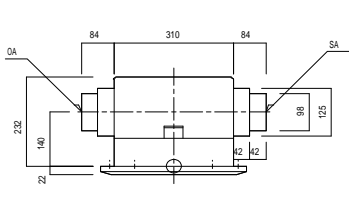
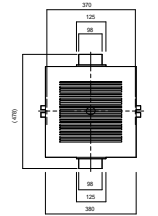
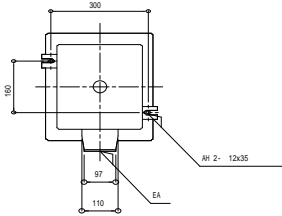
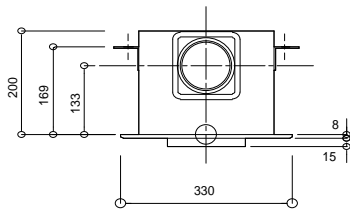
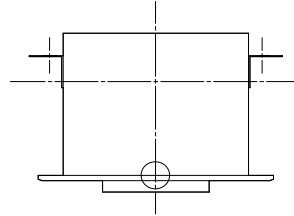
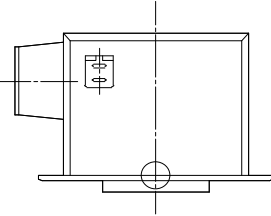
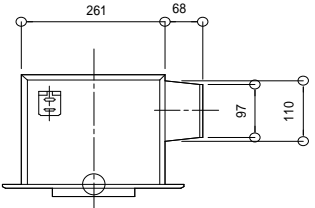
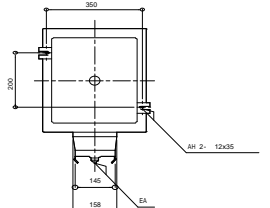
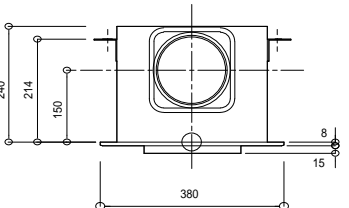
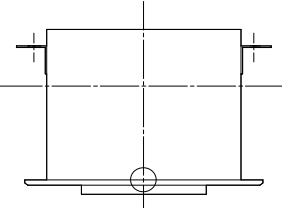
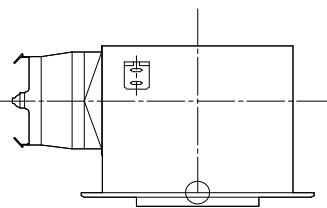
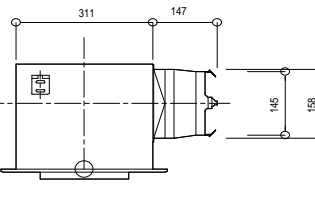
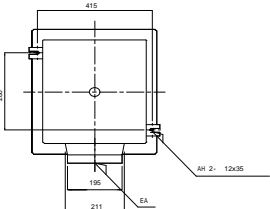
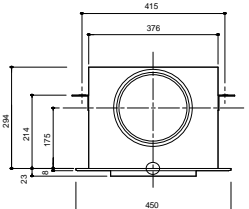
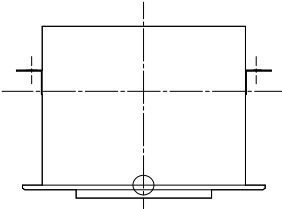
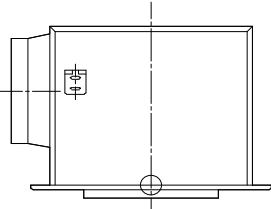
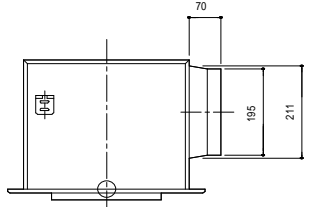
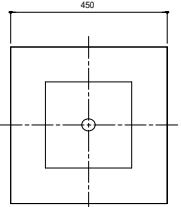
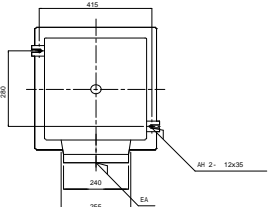
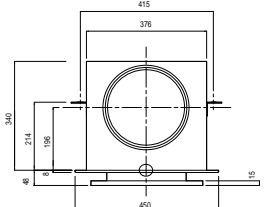
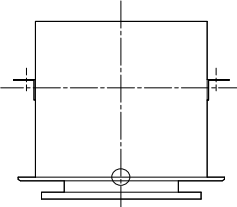
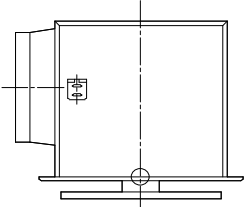
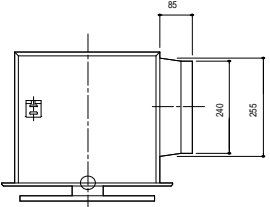
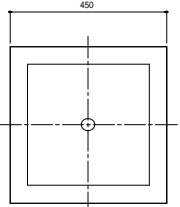
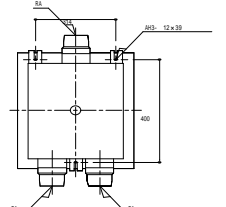
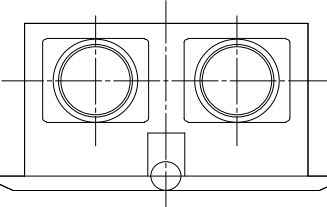
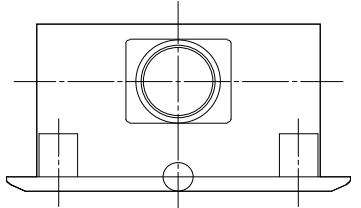
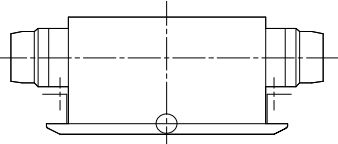
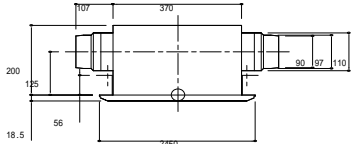
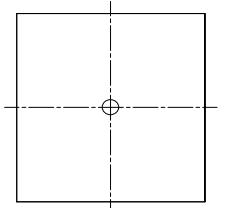
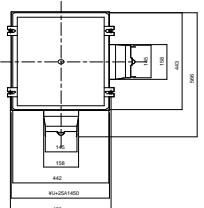
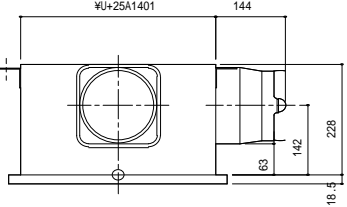
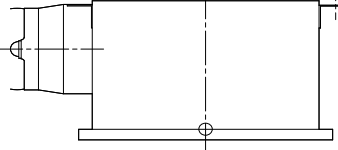
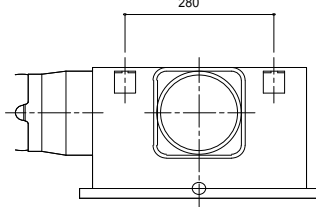
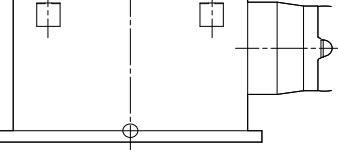
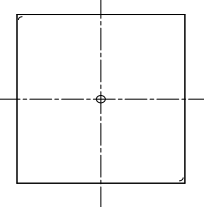
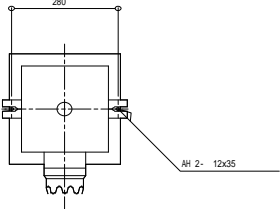
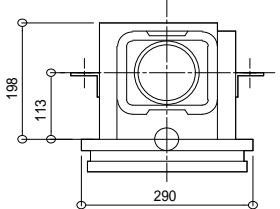
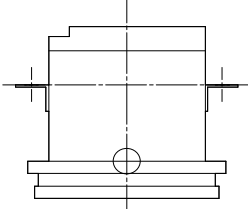
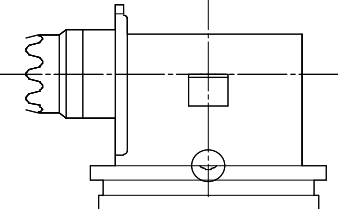
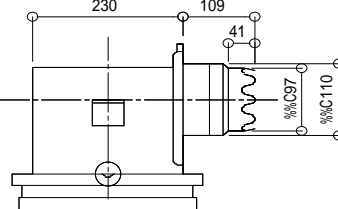
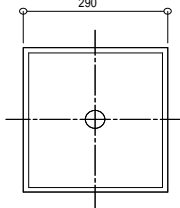
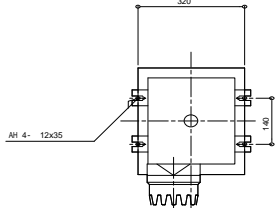
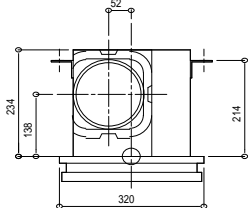
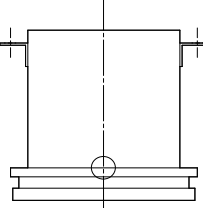
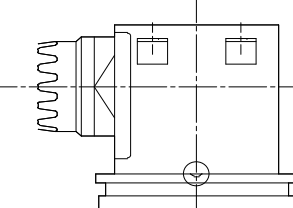
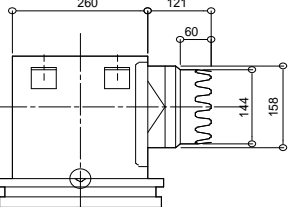
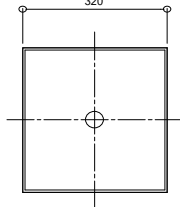
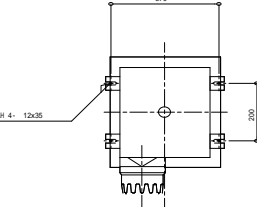
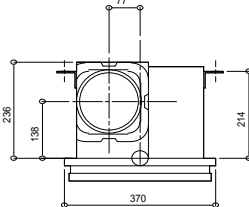
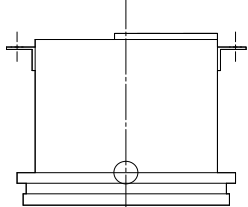
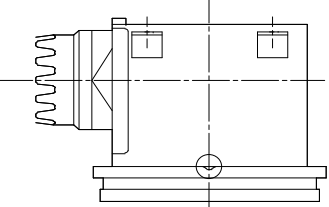
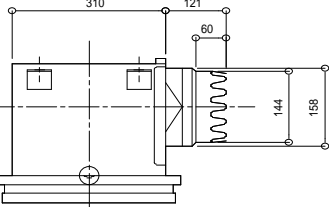
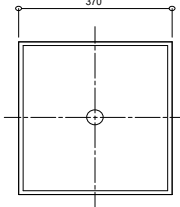
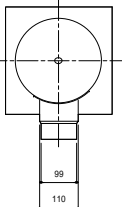
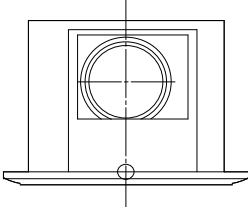
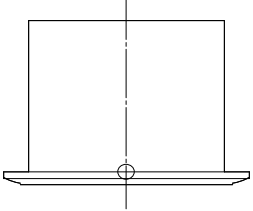
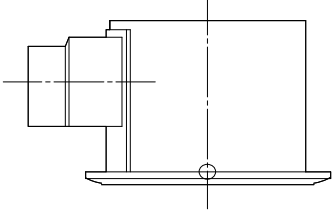
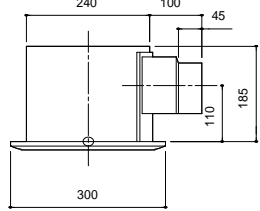
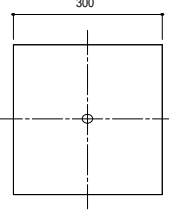
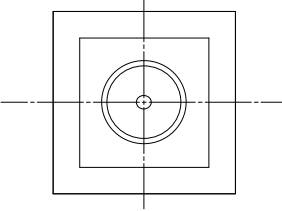
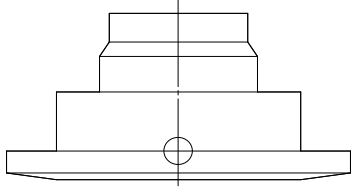
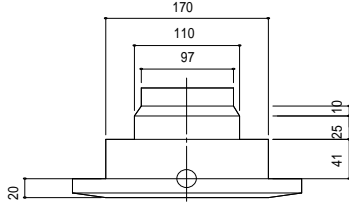
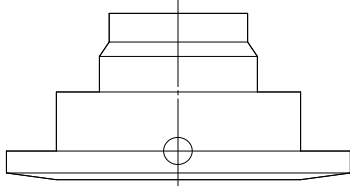
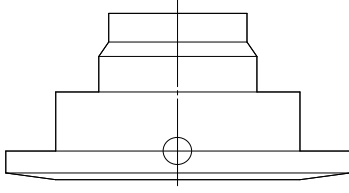
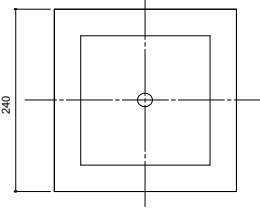
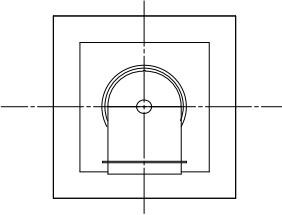
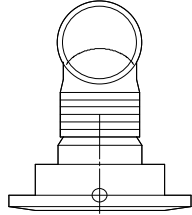
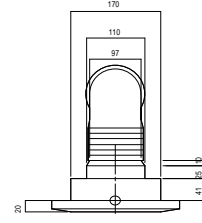
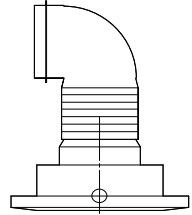
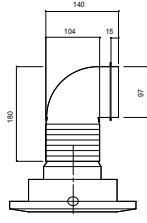
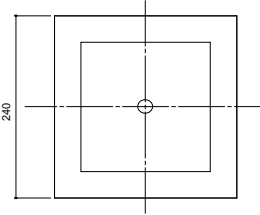
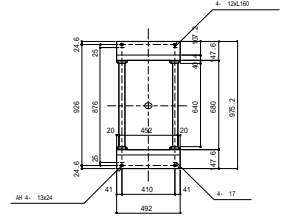
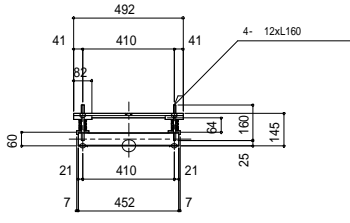
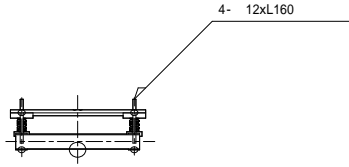
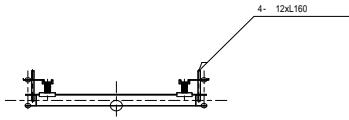
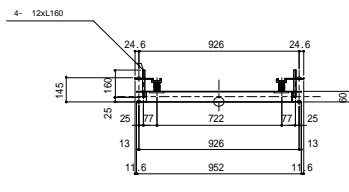
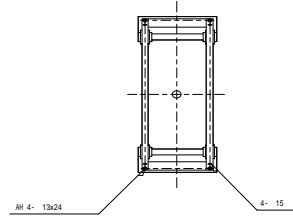
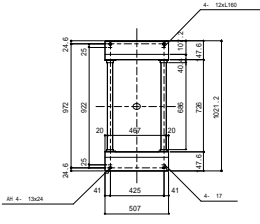
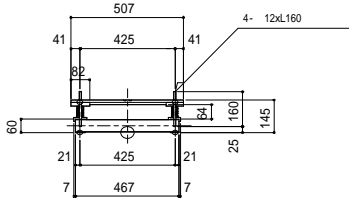
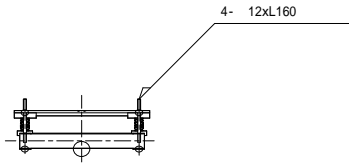


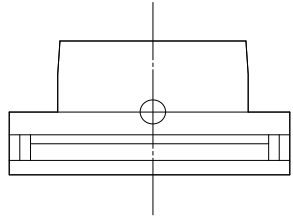
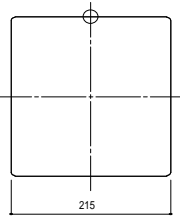
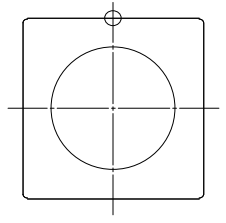
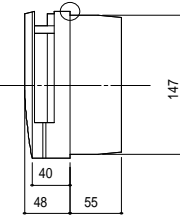
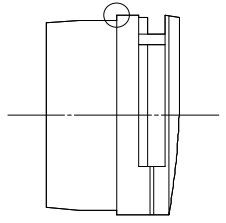
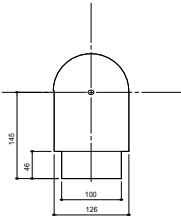
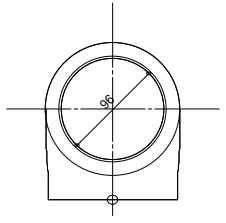
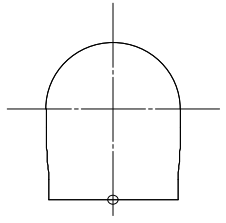
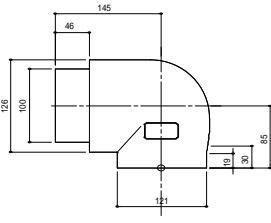
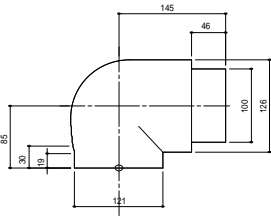
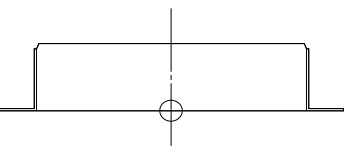
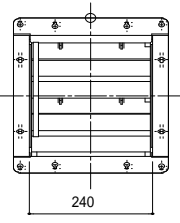
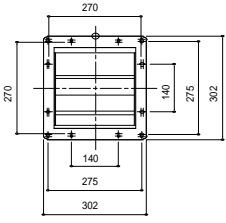
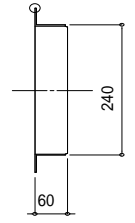
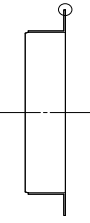
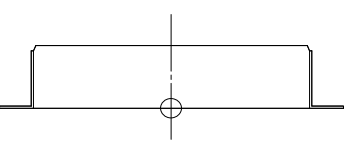
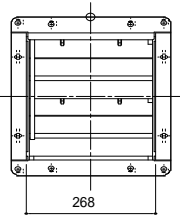
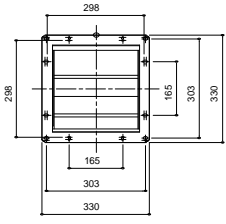
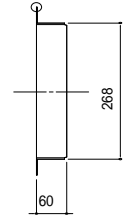

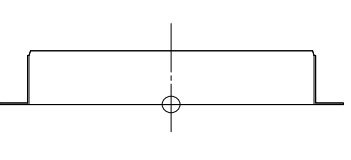
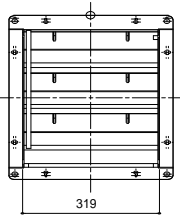
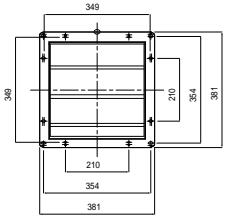
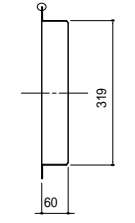
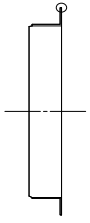
<p>04DMB001.DXF</p> 	<p>04DMB002.DXF</p> 	<p>04DMB003.DXF</p> 	<p>04DMB004.DXF</p> 	<p>04DMB005.DXF</p> 
<p>06DMB001.DXF</p> 	<p>06DMB002.DXF</p> 	<p>06DMB003.DXF</p> 	<p>06DMB004.DXF</p> 	<p>06DMB005.DXF</p> 
<p>AC601001.DXF</p> 	<p>AC601002.DXF</p> 	<p>AC601003.DXF</p> 	<p>AC601004.DXF</p> 	<p>AC601005.DXF</p> 
<p>ACK60101.DXF</p> 	<p>ACK60102.DXF</p> 	<p>ACK60103.DXF</p> 	<p>ACK60104.DXF</p> 	<p>ACK60105.DXF</p> 
<p>AE605001.DXF</p> 	<p>AE605002.DXF</p> 	<p>AE605003.DXF</p> 	<p>AE605004.DXF</p> 	<p>AE605005.DXF</p> 

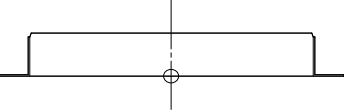
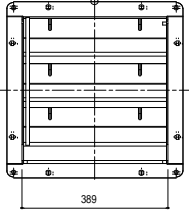
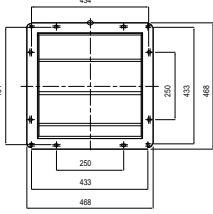
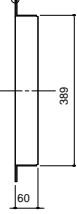

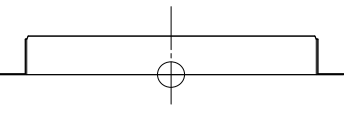
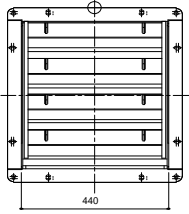
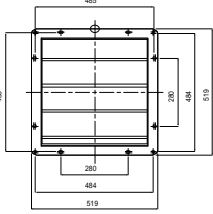
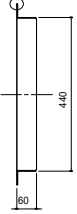

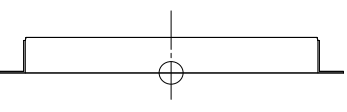
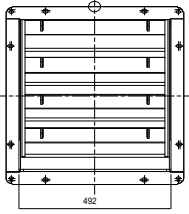
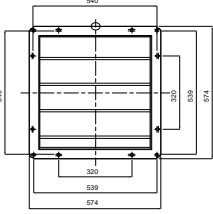

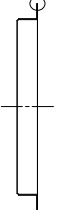
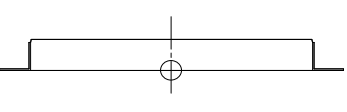
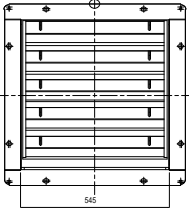
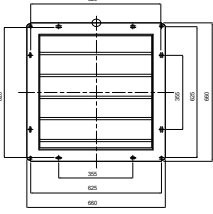
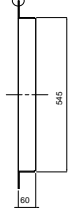
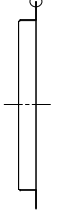
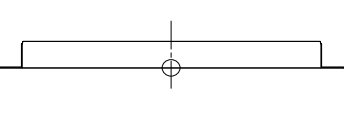
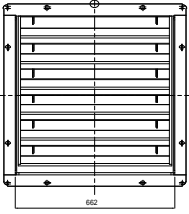
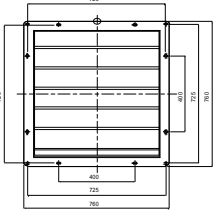
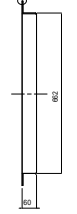
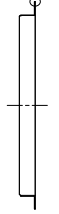
BBH04201.DXF 	BBH04202.DXF 	BBH04203.DXF 	BBH04204.DXF 	BBH04205.DXF 
BBH06001.DXF 	BBH06002.DXF 	BBH06003.DXF 	BBH06004.DXF 	BBH06005.DXF 
BBS04201.DXF 	BBS04202.DXF 	BBS04203.DXF 	BBS04204.DXF 	BBS04205.DXF 
BFG04201.DXF 	BFG04202.DXF 	BFG04203.DXF 	BFG04204.DXF 	BFG04205.DXF 
BFG04206.DXF 	BGS04001.DXF 	BGS04002.DXF 	BGS04003.DXF 	BGS04004.DXF 

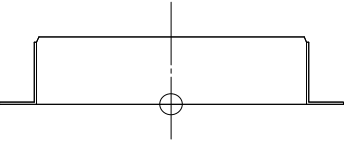
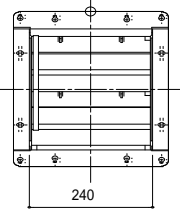
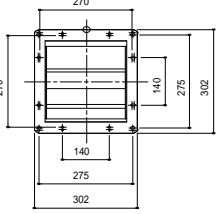
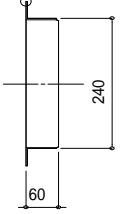

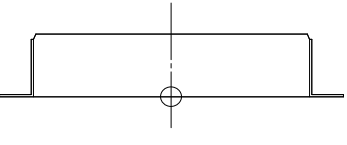
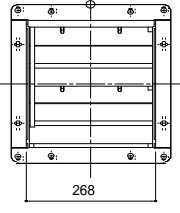
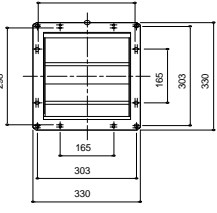
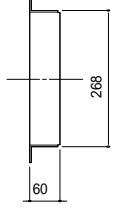
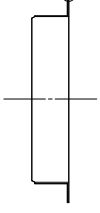
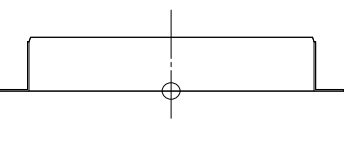
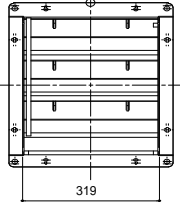
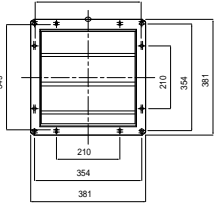
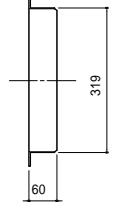
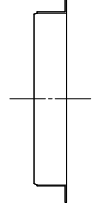
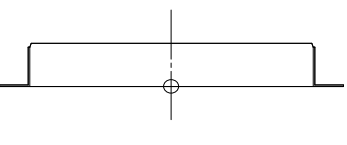
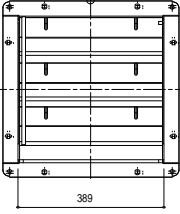
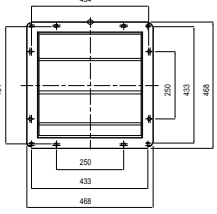
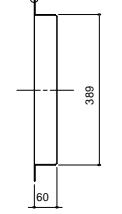
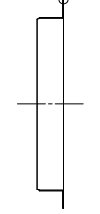
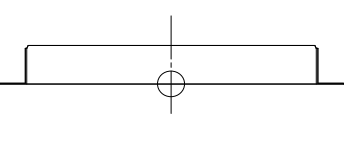
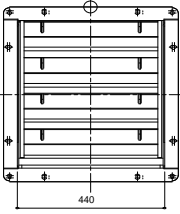
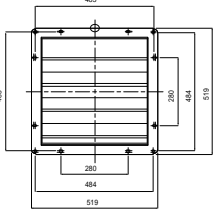
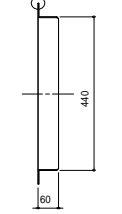
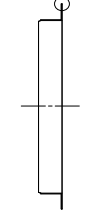
<p>BGS04005.DXF</p> 	<p>BGS06001.DXF</p> 	<p>BGS06002.DXF</p> 	<p>BGS06003.DXF</p> 	<p>BGS06004.DXF</p> 
<p>BGS06005.DXF</p> 	<p>BGS08001.DXF</p> 	<p>BGS08002.DXF</p> 	<p>BGS08003.DXF</p> 	<p>BGS08004.DXF</p> 
<p>BGS08005.DXF</p> 	<p>BGS08006.DXF</p> 	<p>BGS10001.DXF</p> 	<p>BGS10002.DXF</p> 	<p>BGS10003.DXF</p> 
<p>BGS10004.DXF</p> 	<p>BGS10005.DXF</p> 	<p>BGS10006.DXF</p> 	<p>BH380001.DXF</p> 	<p>BH380002.DXF</p> 
<p>BH380003.DXF</p> 	<p>BH380004.DXF</p> 	<p>BH380005.DXF</p> 	<p>BH380006.DXF</p> 	<p>BH41L471.DXF</p> 

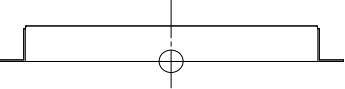
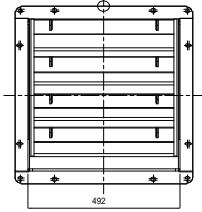
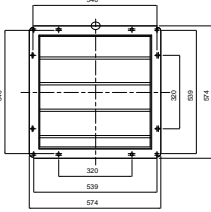


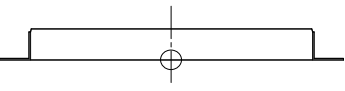
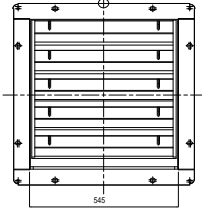
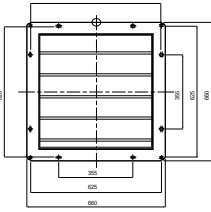
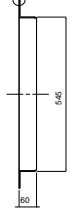

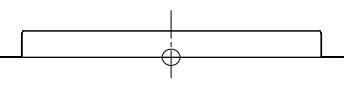
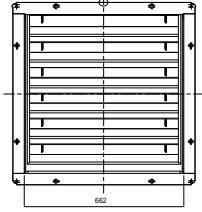
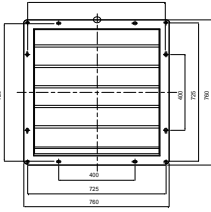
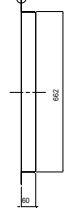

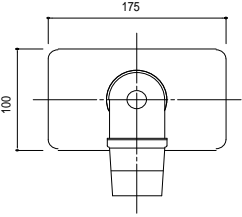
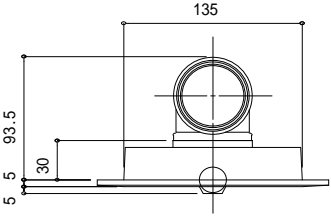
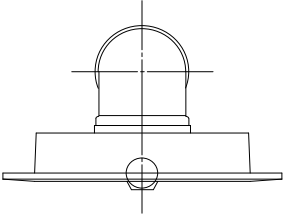
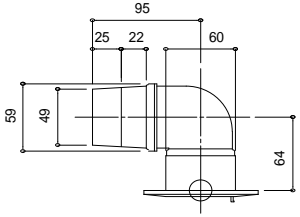
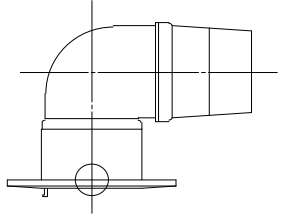
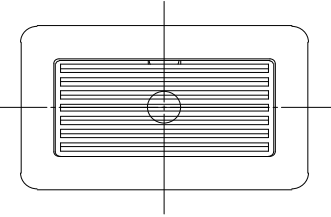
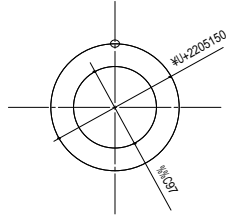
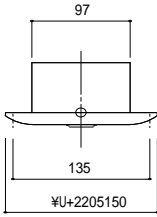
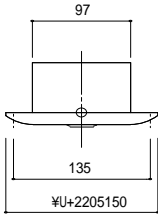
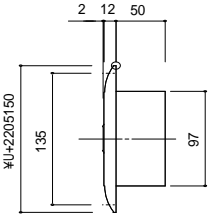
<p>BH41L472.DXF</p> 	<p>BH41L473.DXF</p> 	<p>BH41L474.DXF</p> 	<p>BH41L475.DXF</p> 	<p>BH41L476.DXF</p> 
<p>BJS24101.DXF</p> 	<p>BJS24102.DXF</p> 	<p>BJS24103.DXF</p> 	<p>BJS24104.DXF</p> 	<p>BJS24105.DXF</p> 
<p>BJS24106.DXF</p> 	<p>BJS27101.DXF</p> 	<p>BJS27102.DXF</p> 	<p>BJS27103.DXF</p> 	<p>BJS27104.DXF</p> 
<p>BJS27105.DXF</p> 	<p>BJS27106.DXF</p> 	<p>BJS32101.DXF</p> 	<p>BJS32102.DXF</p> 	<p>BJS32103.DXF</p> 
<p>BJS32104.DXF</p> 	<p>BJS32105.DXF</p> 	<p>BJS32106.DXF</p> 	<p>BLP04671.DXF</p> 	<p>BLP04672.DXF</p> 

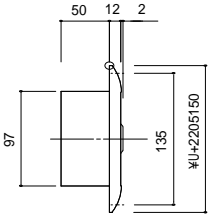
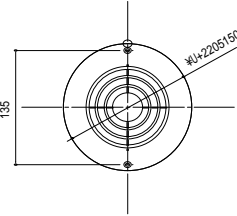
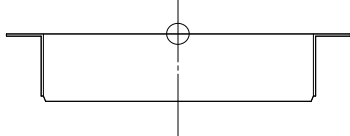
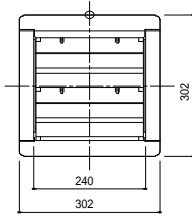
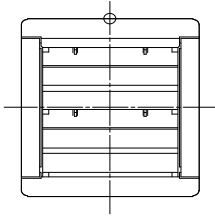
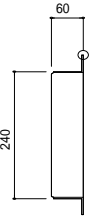

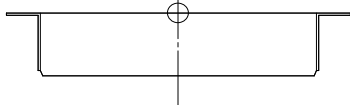
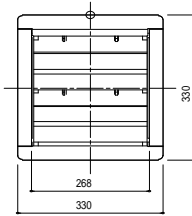
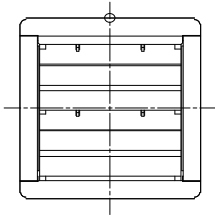
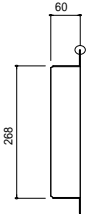
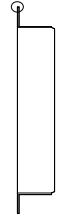
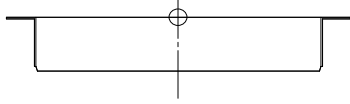
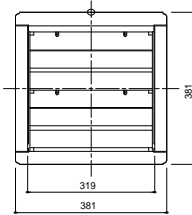
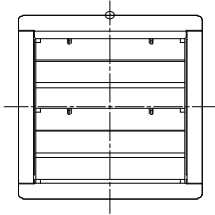

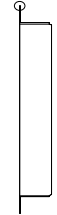
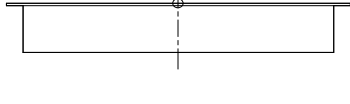
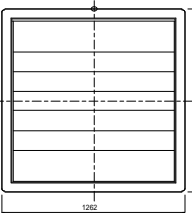
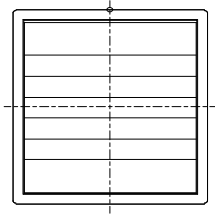


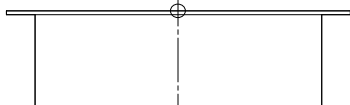
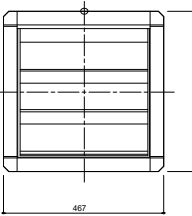
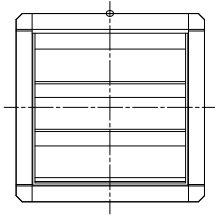
<p>BLP04673.DXF</p> 	<p>BLP04674.DXF</p> 	<p>BLP04675.DXF</p> 	<p>BLP04676.DXF</p> 	<p>BT041001.DXF</p> 
<p>BT041002.DXF</p> 	<p>BT041003.DXF</p> 	<p>BT041004.DXF</p> 	<p>BT041005.DXF</p> 	<p>BT041006.DXF</p> 
<p>BTE04101.DXF</p> 	<p>BTE04102.DXF</p> 	<p>BTE04103.DXF</p> 	<p>BTE04104.DXF</p> 	<p>BTE04105.DXF</p> 
<p>BTE04106.DXF</p> 	<p>BWN23A01.DXF</p> 	<p>BWN23A02.DXF</p> 	<p>BWN23A03.DXF</p> 	<p>BWN23A04.DXF</p> 
<p>BWN23A05.DXF</p> 	<p>BWN23A06.DXF</p> 	<p>BWN25A01.DXF</p> 	<p>BWN25A02.DXF</p> 	<p>BWN25A03.DXF</p> 


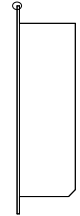
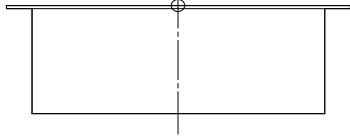
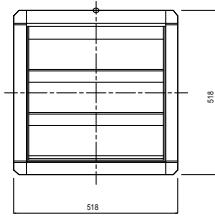
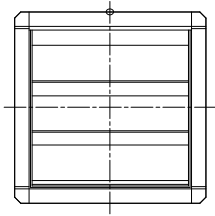
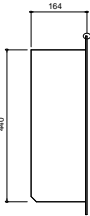

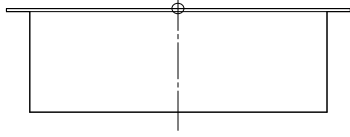
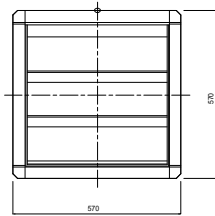
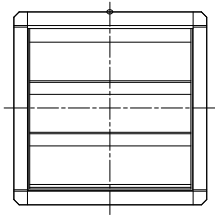

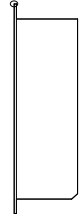
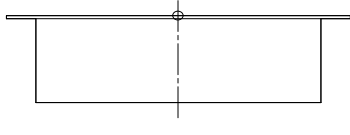
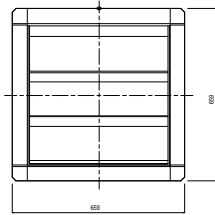
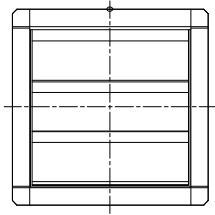

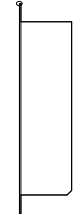
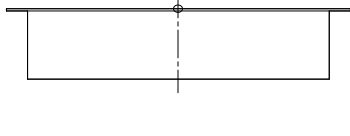
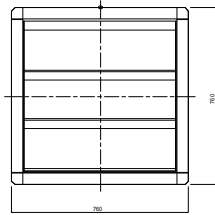
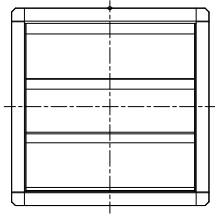
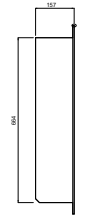
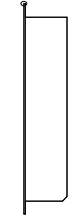
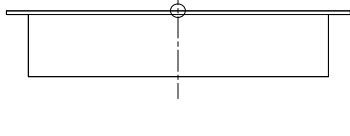
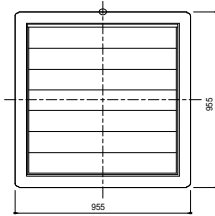
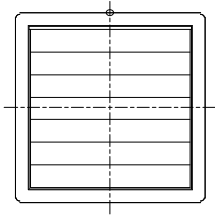
<p>DRV06001.DXF</p> 	<p>DRV06002.DXF</p> 	<p>DRV06003.DXF</p> 	<p>DRV06004.DXF</p> 	<p>DRV06005.DXF</p> 
<p>EPH04201.DXF</p> 	<p>EPH04202.DXF</p> 	<p>EPH04203.DXF</p> 	<p>EPH04204.DXF</p> 	<p>EPH04205.DXF</p> 
<p>GAS20311.DXF</p> 	<p>GAS20312.DXF</p> 	<p>GAS20313.DXF</p> 	<p>GAS20314.DXF</p> 	<p>GAS20315.DXF</p> 
<p>GAS25311.DXF</p> 	<p>GAS25312.DXF</p> 	<p>GAS25313.DXF</p> 	<p>GAS25314.DXF</p> 	<p>GAS25315.DXF</p> 
<p>GAS30311.DXF</p> 	<p>GAS30312.DXF</p> 	<p>GAS30313.DXF</p> 	<p>GAS30314.DXF</p> 	<p>GAS30315.DXF</p> 

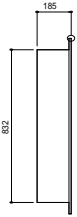


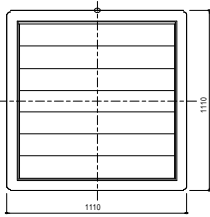
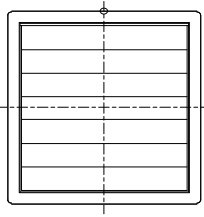
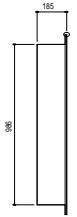

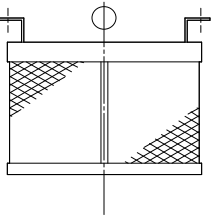
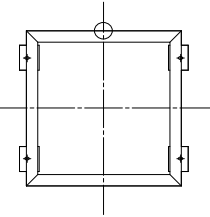
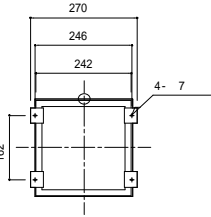
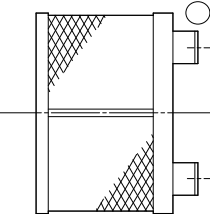
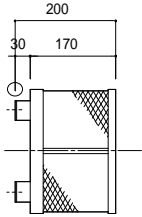
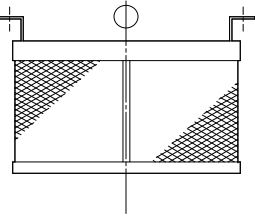
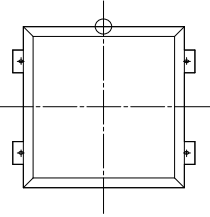
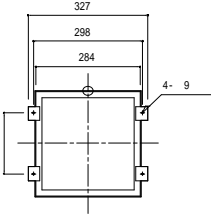
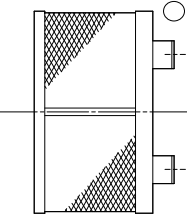
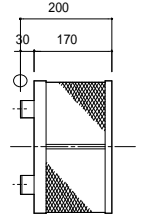
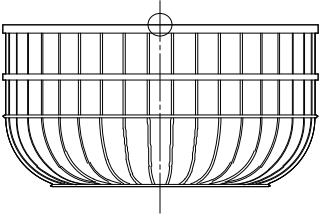
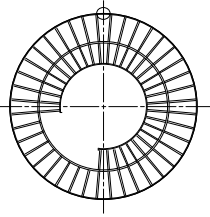
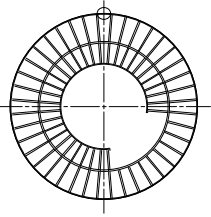
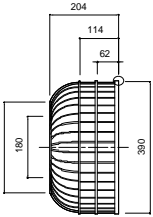
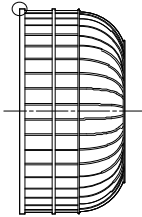
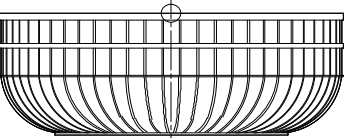
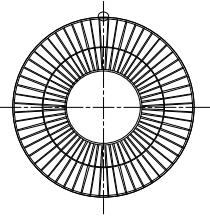
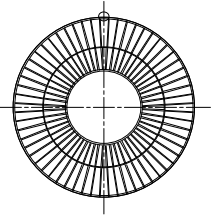
<p>GAS35311.DXF</p> 	<p>GAS35312.DXF</p> 	<p>GAS35313.DXF</p> 	<p>GAS35314.DXF</p> 	<p>GAS35315.DXF</p> 
<p>GAS40311.DXF</p> 	<p>GAS40312.DXF</p> 	<p>GAS40313.DXF</p> 	<p>GAS40314.DXF</p> 	<p>GAS40315.DXF</p> 
<p>GAS45311.DXF</p> 	<p>GAS45312.DXF</p> 	<p>GAS45313.DXF</p> 	<p>GAS45314.DXF</p> 	<p>GAS45315.DXF</p> 
<p>GAS50311.DXF</p> 	<p>GAS50312.DXF</p> 	<p>GAS50313.DXF</p> 	<p>GAS50314.DXF</p> 	<p>GAS50315.DXF</p> 
<p>GAS60311.DXF</p> 	<p>GAS60312.DXF</p> 	<p>GAS60313.DXF</p> 	<p>GAS60314.DXF</p> 	<p>GAS60315.DXF</p> 

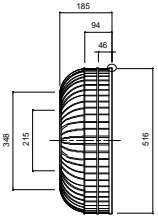
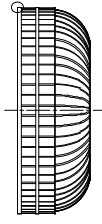
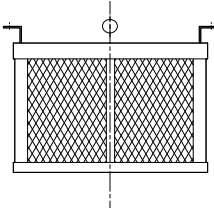
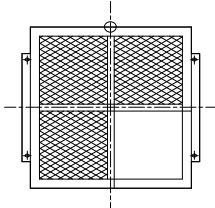
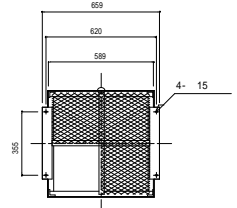
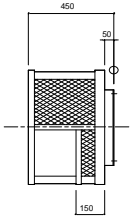
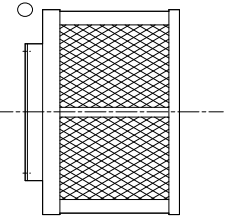
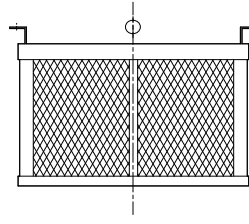
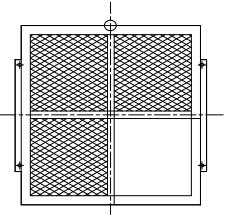
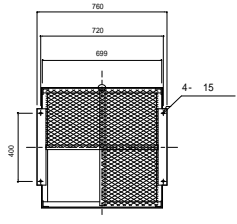
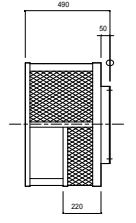
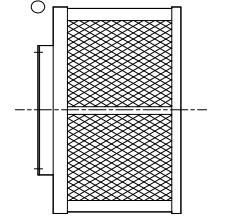
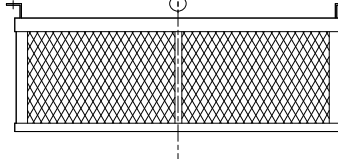
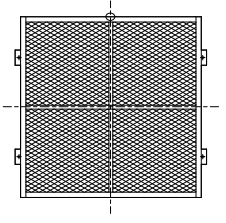
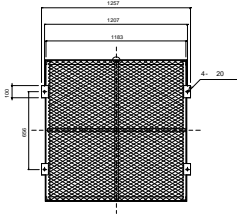
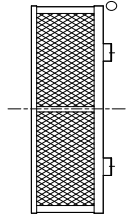
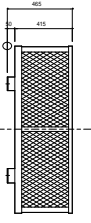
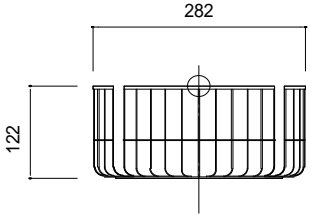
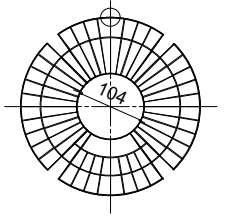
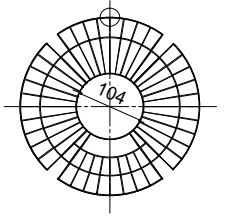
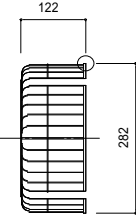
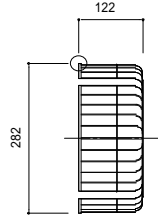
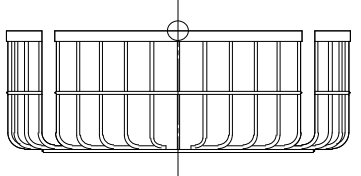
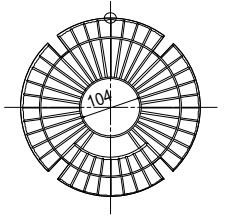
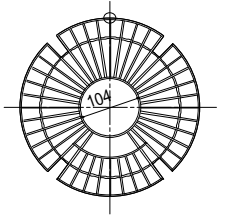
<p>GAX20311.DXF</p> 	<p>GAX20312.DXF</p> 	<p>GAX20313.DXF</p> 	<p>GAX20314.DXF</p> 	<p>GAX20315.DXF</p> 
<p>GAX25311.DXF</p> 	<p>GAX25312.DXF</p> 	<p>GAX25313.DXF</p> 	<p>GAX25314.DXF</p> 	<p>GAX25315.DXF</p> 
<p>GAX30311.DXF</p> 	<p>GAX30312.DXF</p> 	<p>GAX30313.DXF</p> 	<p>GAX30314.DXF</p> 	<p>GAX30315.DXF</p> 
<p>GAX35311.DXF</p> 	<p>GAX35312.DXF</p> 	<p>GAX35313.DXF</p> 	<p>GAX35314.DXF</p> 	<p>GAX35315.DXF</p> 
<p>GAX40311.DXF</p> 	<p>GAX40312.DXF</p> 	<p>GAX40313.DXF</p> 	<p>GAX40314.DXF</p> 	<p>GAX40315.DXF</p> 

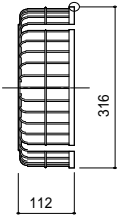
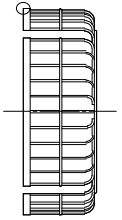
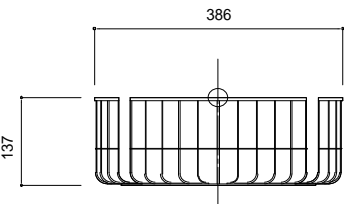
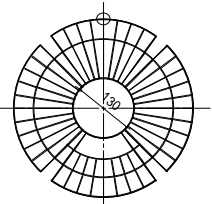
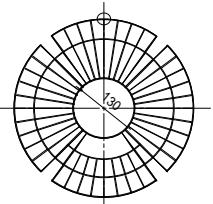
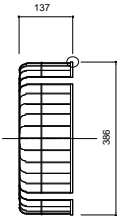
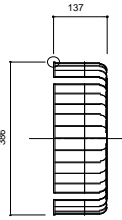
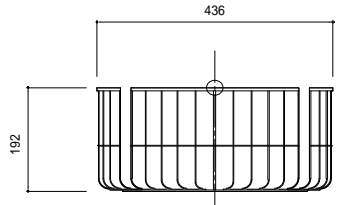
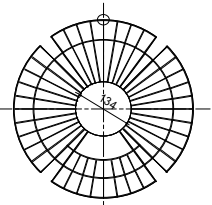
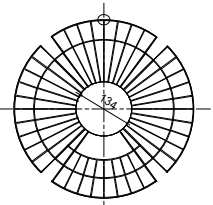
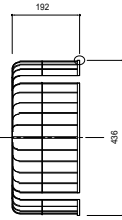
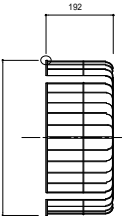
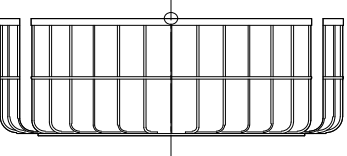
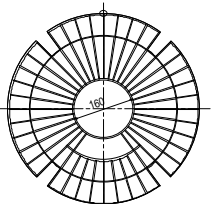
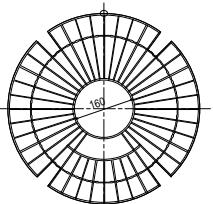
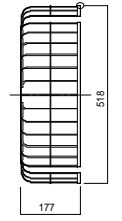
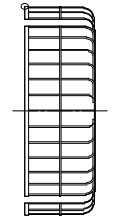
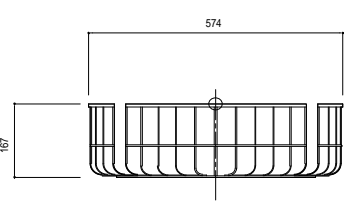
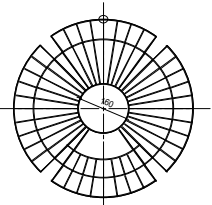
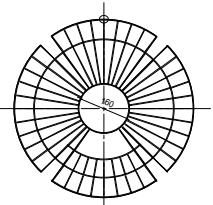
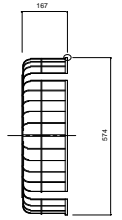
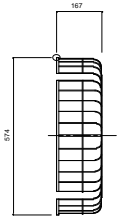
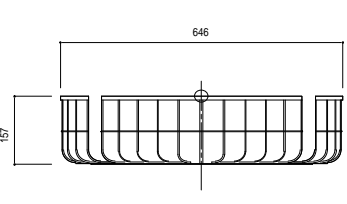
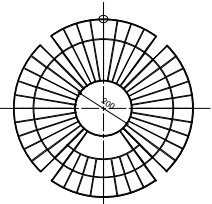
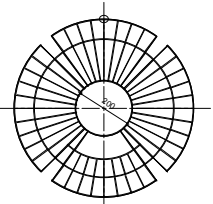
<p>GAX45311.DXF</p> 	<p>GAX45312.DXF</p> 	<p>GAX45313.DXF</p> 	<p>GAX45314.DXF</p> 	<p>GAX45315.DXF</p> 
<p>GAX50311.DXF</p> 	<p>GAX50312.DXF</p> 	<p>GAX50313.DXF</p> 	<p>GAX50314.DXF</p> 	<p>GAX50315.DXF</p> 
<p>GAX60311.DXF</p> 	<p>GAX60312.DXF</p> 	<p>GAX60313.DXF</p> 	<p>GAX60314.DXF</p> 	<p>GAX60315.DXF</p> 
<p>GBP02001.DXF</p> 	<p>GBP02002.DXF</p> 	<p>GBP02003.DXF</p> 	<p>GBP02004.DXF</p> 	<p>GBP02005.DXF</p> 
<p>GBP02006.DXF</p> 	<p>GCP04301.DXF</p> 	<p>GCP04302.DXF</p> 	<p>GCP04303.DXF</p> 	<p>GCP04304.DXF</p> 

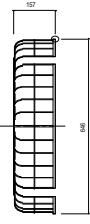
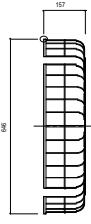
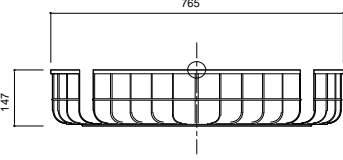
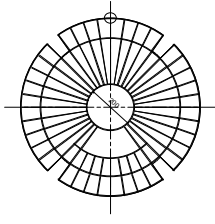
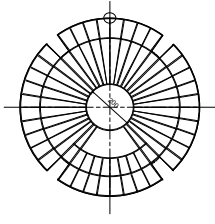
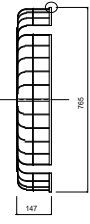
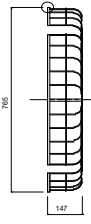
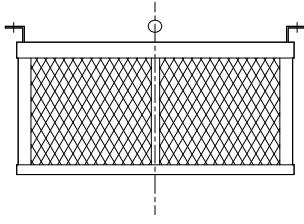
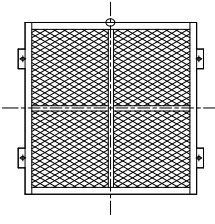
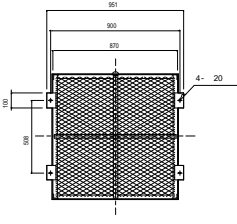
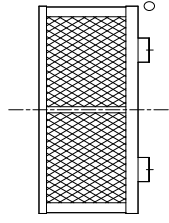
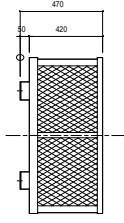
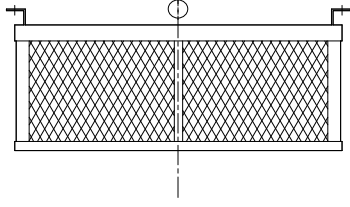
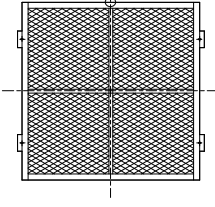
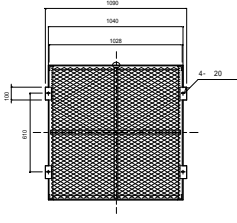
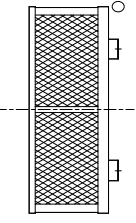
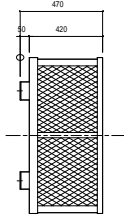
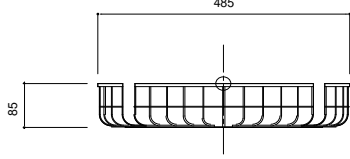
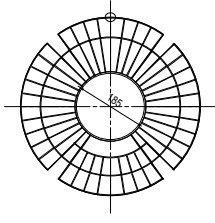
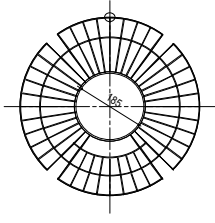
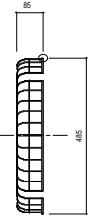
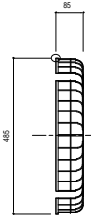
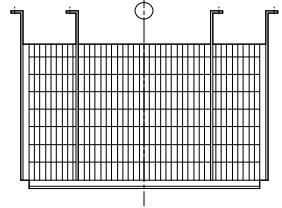
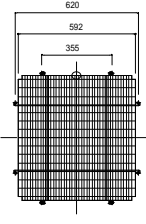
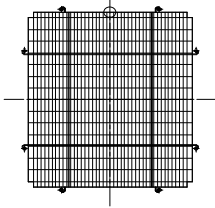
<p>GCP04305.DXF</p> 	<p>GCP04306.DXF</p> 	<p>GESS2031.DXF</p> 	<p>GESS2032.DXF</p> 	<p>GESS2033.DXF</p> 
<p>GESS2034.DXF</p> 	<p>GESS2035.DXF</p> 	<p>GESS2531.DXF</p> 	<p>GESS2532.DXF</p> 	<p>GESS2533.DXF</p> 
<p>GESS2534.DXF</p> 	<p>GESS2535.DXF</p> 	<p>GESS3031.DXF</p> 	<p>GESS3032.DXF</p> 	<p>GESS3033.DXF</p> 
<p>GESS3034.DXF</p> 	<p>GESS3035.DXF</p> 	<p>GEST1531.DXF</p> 	<p>GEST1532.DXF</p> 	<p>GEST1533.DXF</p> 
<p>GEST1534.DXF</p> 	<p>GEST1535.DXF</p> 	<p>GEST3531.DXF</p> 	<p>GEST3532.DXF</p> 	<p>GEST3533.DXF</p> 

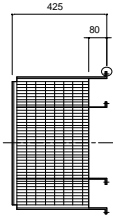
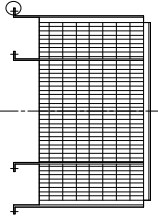
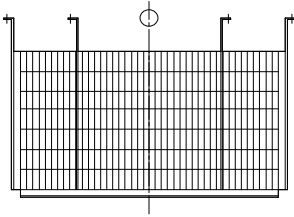
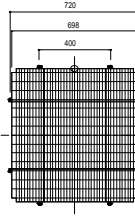
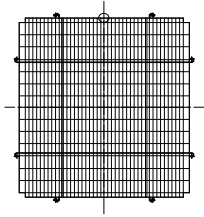
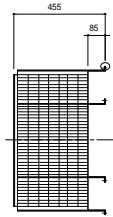
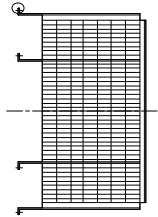
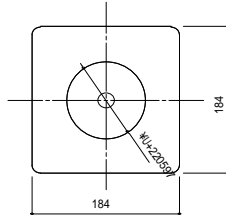
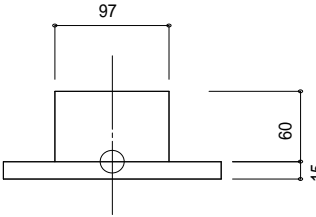
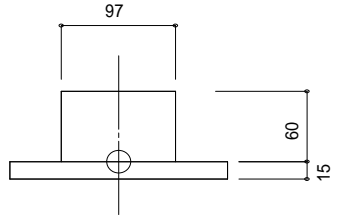
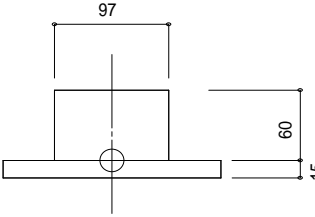
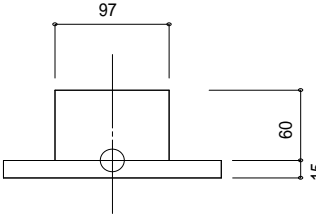
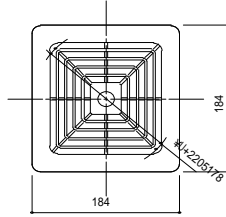
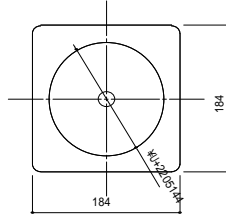
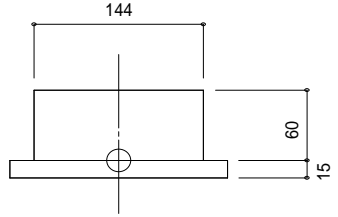
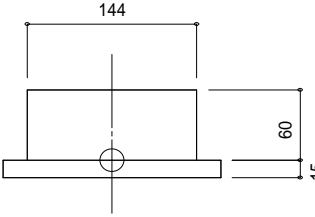
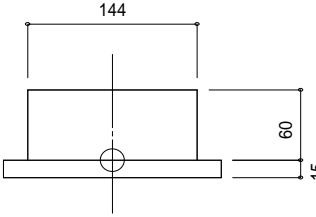
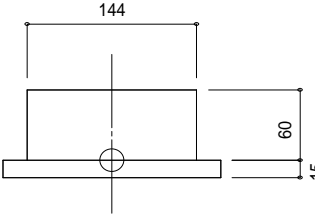
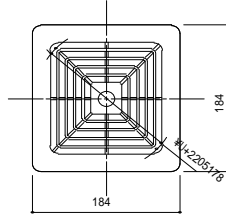
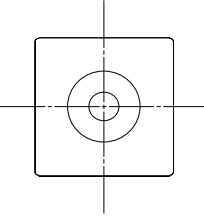
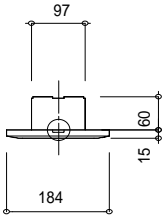
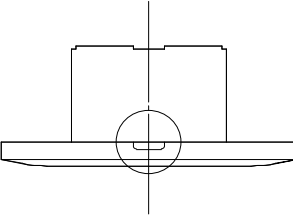
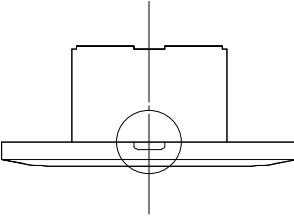
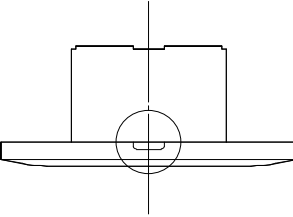
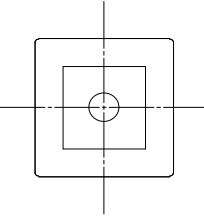
<p>GEST3534.DXF</p> 	<p>GEST3535.DXF</p> 	<p>GEST4031.DXF</p> 	<p>GEST4032.DXF</p> 	<p>GEST4033.DXF</p> 
<p>GEST4034.DXF</p> 	<p>GEST4035.DXF</p> 	<p>GEST4531.DXF</p> 	<p>GEST4532.DXF</p> 	<p>GEST4533.DXF</p> 
<p>GEST4534.DXF</p> 	<p>GEST4535.DXF</p> 	<p>GEST5031.DXF</p> 	<p>GEST5032.DXF</p> 	<p>GEST5033.DXF</p> 
<p>GEST5034.DXF</p> 	<p>GEST5035.DXF</p> 	<p>GEST6031.DXF</p> 	<p>GEST6032.DXF</p> 	<p>GEST6033.DXF</p> 
<p>GEST6034.DXF</p> 	<p>GEST6035.DXF</p> 	<p>GEST7531.DXF</p> 	<p>GEST7532.DXF</p> 	<p>GEST7533.DXF</p> 

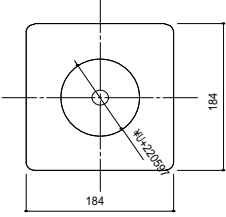
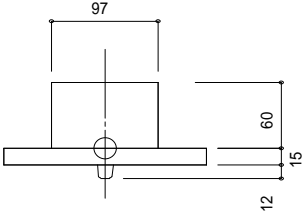
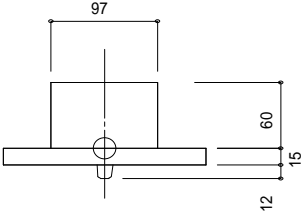
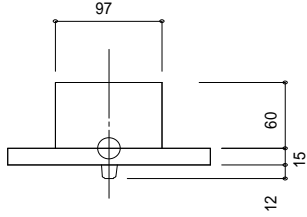
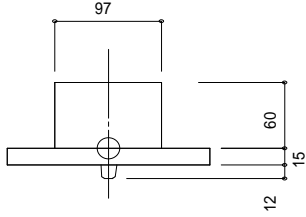
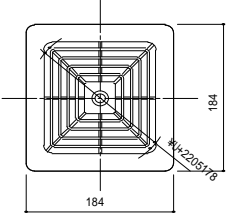
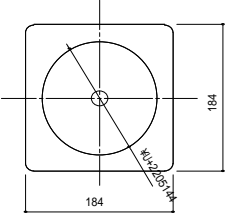
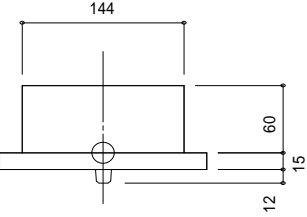
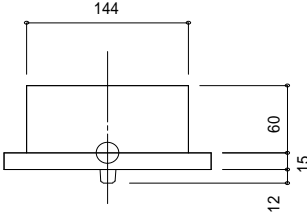
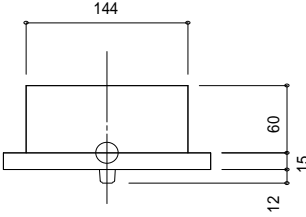
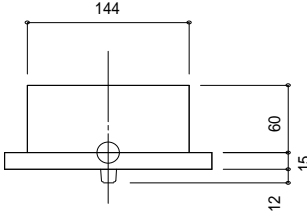
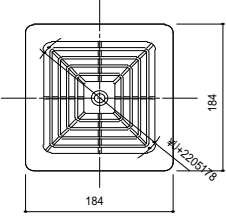
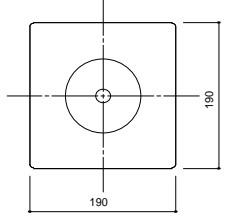
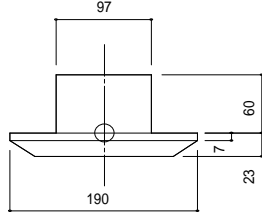
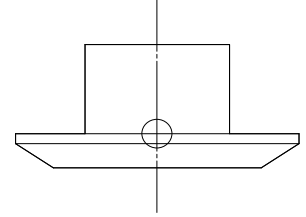
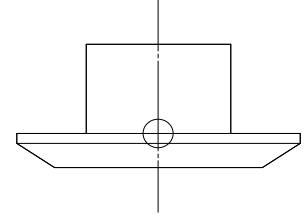
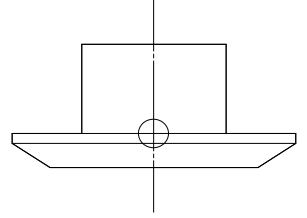
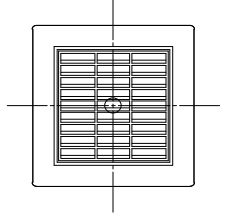
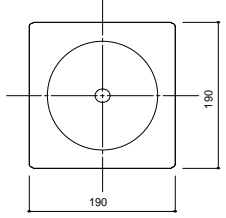
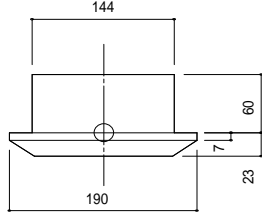
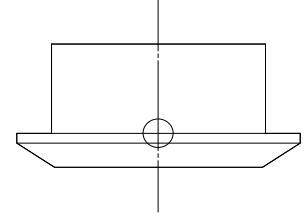
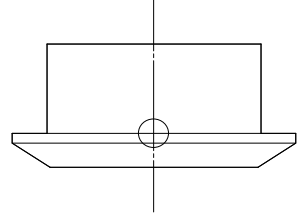
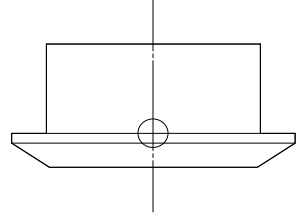
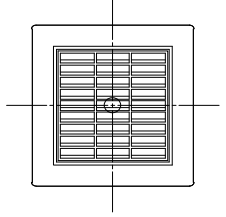
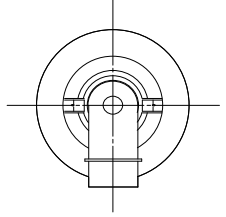
<p>GEST7534.DXF</p> 	<p>GEST7535.DXF</p> 	<p>GEST9031.DXF</p> 	<p>GEST9032.DXF</p> 	<p>GEST9033.DXF</p> 
<p>GEST9034.DXF</p> 	<p>GEST9035.DXF</p> 	<p>GGBS2031.DXF</p> 	<p>GGBS2032.DXF</p> 	<p>GGBS2033.DXF</p> 
<p>GGBS2034.DXF</p> 	<p>GGBS2035.DXF</p> 	<p>GGBS2531.DXF</p> 	<p>GGBS2532.DXF</p> 	<p>GGBS2533.DXF</p> 
<p>GGBS2534.DXF</p> 	<p>GGBS2535.DXF</p> 	<p>GGBS3031.DXF</p> 	<p>GGBS3032.DXF</p> 	<p>GGBS3033.DXF</p> 
<p>GGBS3034.DXF</p> 	<p>GGBS3035.DXF</p> 	<p>GGBS4031.DXF</p> 	<p>GGBS4032.DXF</p> 	<p>GGBS4033.DXF</p> 

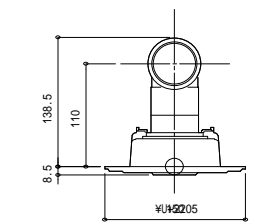
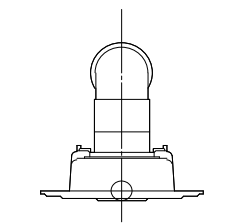
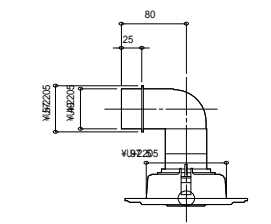
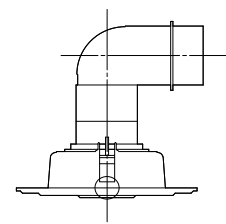
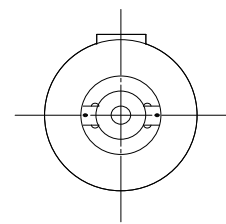
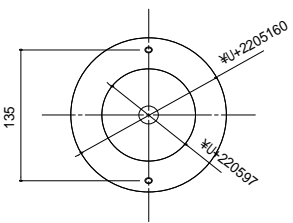
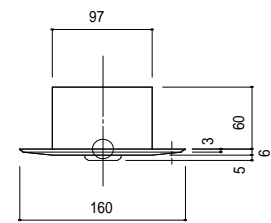
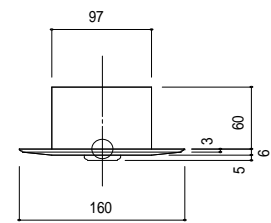
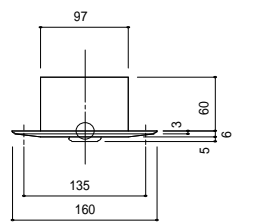
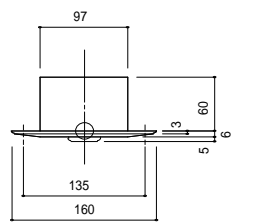
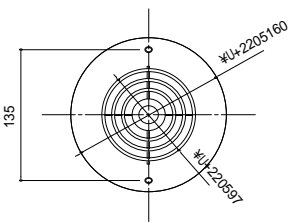
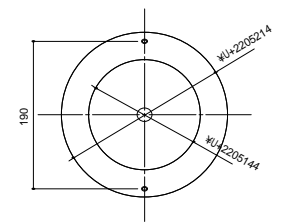
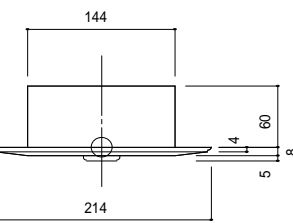
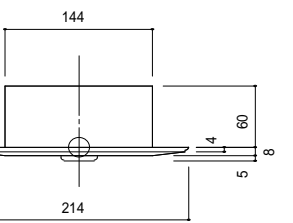
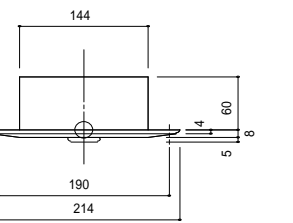
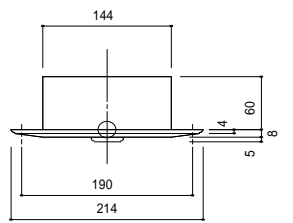
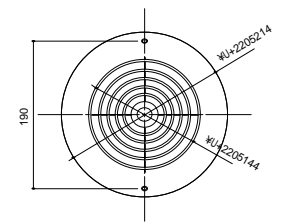
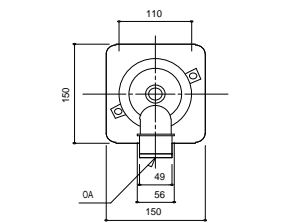
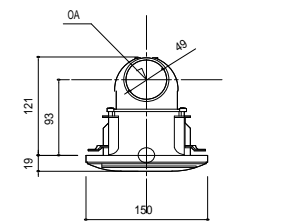
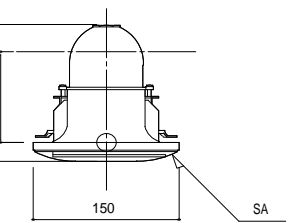
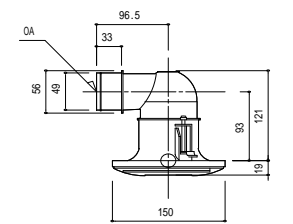
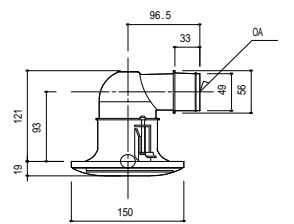
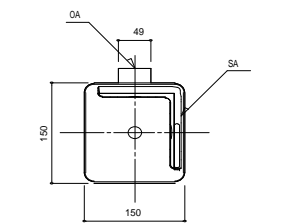
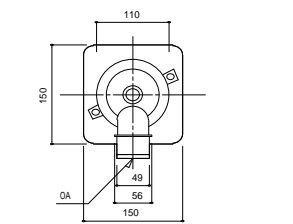
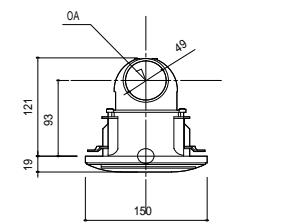
<p>GGBS4034.DXF</p> 	<p>GGBS4035.DXF</p> 	<p>GGBS5031.DXF</p> 	<p>GGBS5032.DXF</p> 	<p>GGBS5033.DXF</p> 
<p>GGBS5034.DXF</p> 	<p>GGBS5035.DXF</p> 	<p>GGBS6031.DXF</p> 	<p>GGBS6032.DXF</p> 	<p>GGBS6033.DXF</p> 
<p>GGBS6034.DXF</p> 	<p>GGBS6035.DXF</p> 	<p>GGG10531.DXF</p> 	<p>GGG10532.DXF</p> 	<p>GGG10533.DXF</p> 
<p>GGG10534.DXF</p> 	<p>GGG10535.DXF</p> 	<p>GGG20301.DXF</p> 	<p>GGG20302.DXF</p> 	<p>GGG20303.DXF</p> 
<p>GGG20304.DXF</p> 	<p>GGG20305.DXF</p> 	<p>GGG25301.DXF</p> 	<p>GGG25302.DXF</p> 	<p>GGG25303.DXF</p> 

<p>GG25304.DXF</p> 	<p>GG25305.DXF</p> 	<p>GG30301.DXF</p> 	<p>GG30302.DXF</p> 	<p>GG30303.DXF</p> 
<p>GG30304.DXF</p> 	<p>GG30305.DXF</p> 	<p>GG35301.DXF</p> 	<p>GG35302.DXF</p> 	<p>GG35303.DXF</p> 
<p>GG35304.DXF</p> 	<p>GG35305.DXF</p> 	<p>GG40301.DXF</p> 	<p>GG40302.DXF</p> 	<p>GG40303.DXF</p> 
<p>GG40304.DXF</p> 	<p>GG40305.DXF</p> 	<p>GG45301.DXF</p> 	<p>GG45302.DXF</p> 	<p>GG45303.DXF</p> 
<p>GG45304.DXF</p> 	<p>GG45305.DXF</p> 	<p>GG50301.DXF</p> 	<p>GG50302.DXF</p> 	<p>GG50303.DXF</p> 

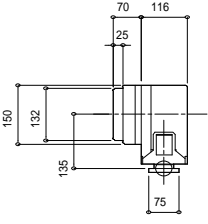
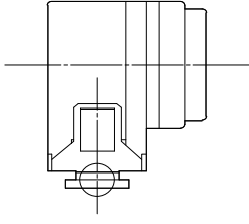
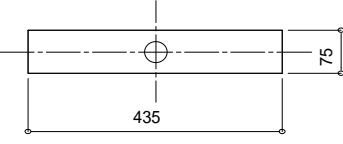
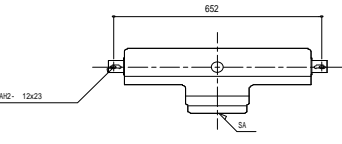
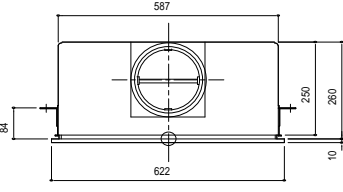
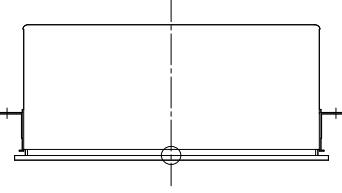
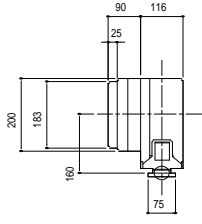
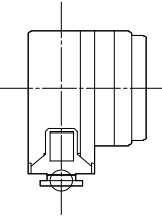
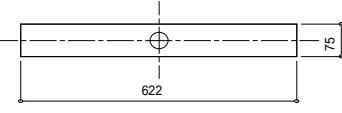
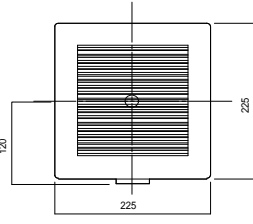
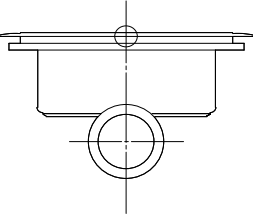
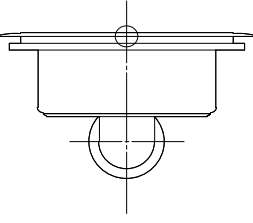
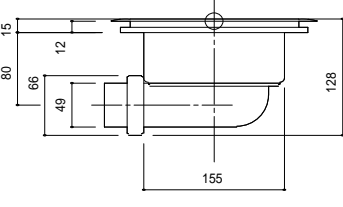
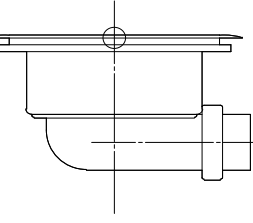
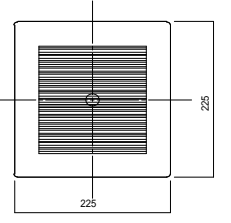
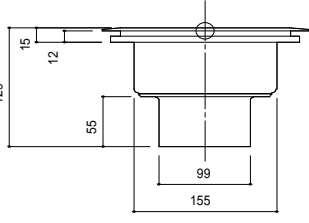
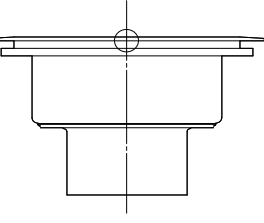
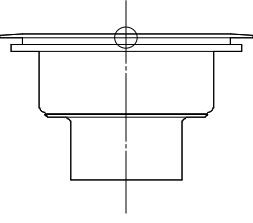
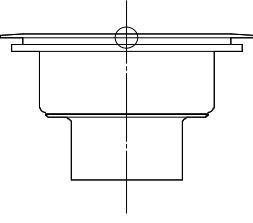
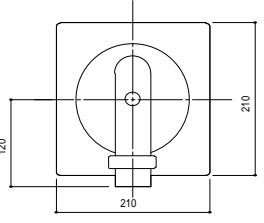
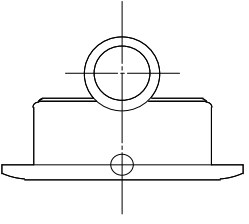
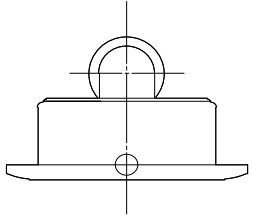
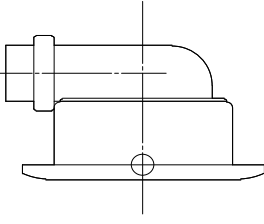
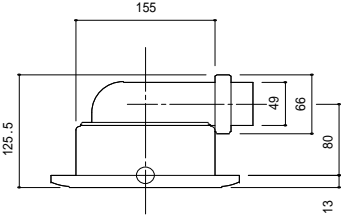
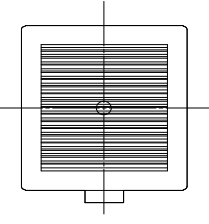
<p>GG50304.DXF</p> 	<p>GG50305.DXF</p> 	<p>GG60301.DXF</p> 	<p>GG60302.DXF</p> 	<p>GG60303.DXF</p> 
<p>GG60304.DXF</p> 	<p>GG60305.DXF</p> 	<p>GG75301.DXF</p> 	<p>GG75302.DXF</p> 	<p>GG75303.DXF</p> 
<p>GG75304.DXF</p> 	<p>GG75305.DXF</p> 	<p>GG90301.DXF</p> 	<p>GG90302.DXF</p> 	<p>GG90303.DXF</p> 
<p>GG90304.DXF</p> 	<p>GG90305.DXF</p> 	<p>GGXX4031.DXF</p> 	<p>GGXX4032.DXF</p> 	<p>GGXX4033.DXF</p> 
<p>GGXX4034.DXF</p> 	<p>GGXX4035.DXF</p> 	<p>GGXX5031.DXF</p> 	<p>GGXX5032.DXF</p> 	<p>GGXX5033.DXF</p> 

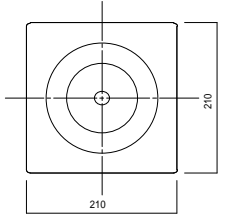
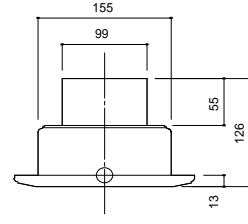
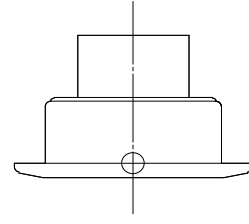
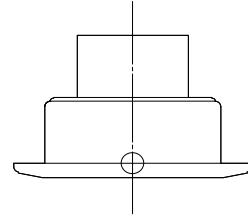
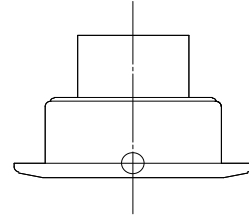
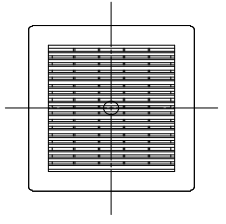
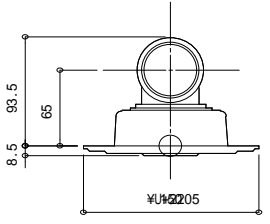
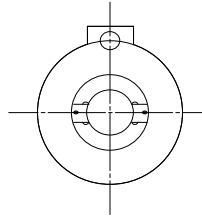
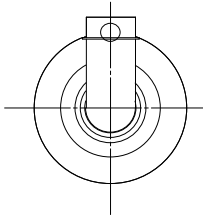
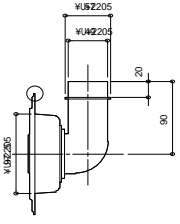
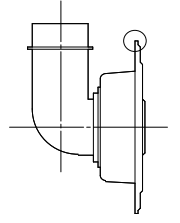
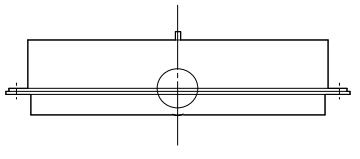
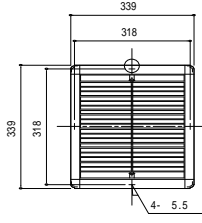
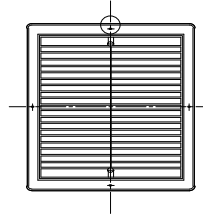
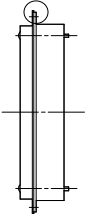
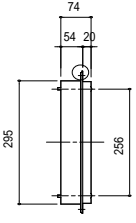
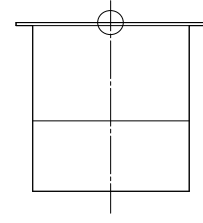
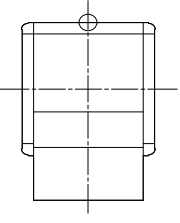
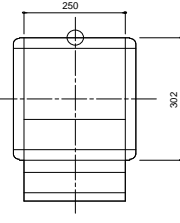
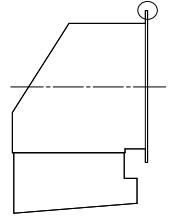
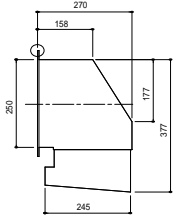
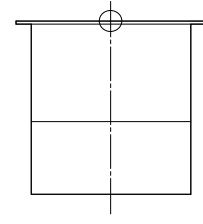
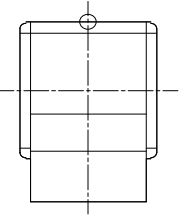
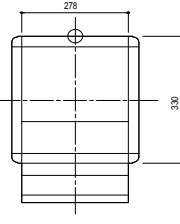
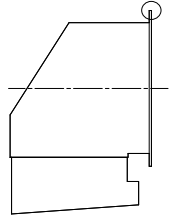
<p>GGXX5034.DXF</p> 	<p>GGXX5035.DXF</p> 	<p>GGXX6031.DXF</p> 	<p>GGXX6032.DXF</p> 	<p>GGXX6033.DXF</p> 
<p>GGXX6034.DXF</p> 	<p>GGXX6035.DXF</p> 	<p>GK043001.DXF</p> 	<p>GK043002.DXF</p> 	<p>GK043003.DXF</p> 
<p>GK043004.DXF</p> 	<p>GK043005.DXF</p> 	<p>GK043006.DXF</p> 	<p>GK063001.DXF</p> 	<p>GK063002.DXF</p> 
<p>GK063003.DXF</p> 	<p>GK063004.DXF</p> 	<p>GK063005.DXF</p> 	<p>GK063006.DXF</p> 	<p>GKP04001.DXF</p> 
<p>GKP04002.DXF</p> 	<p>GKP04003.DXF</p> 	<p>GKP04004.DXF</p> 	<p>GKP04005.DXF</p> 	<p>GKP04006.DXF</p> 

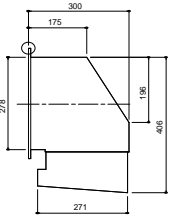
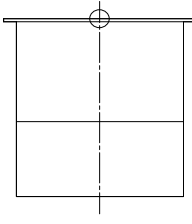
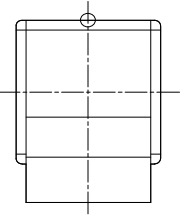
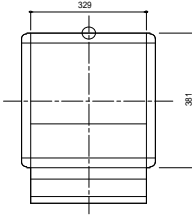
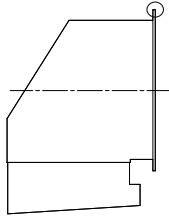
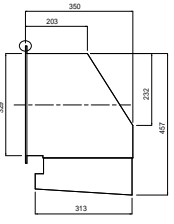
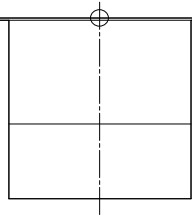
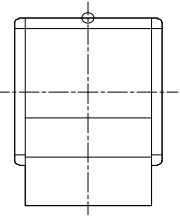
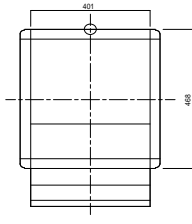
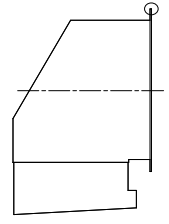
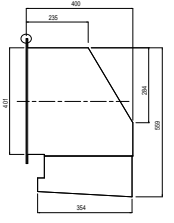
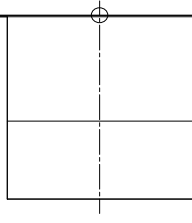
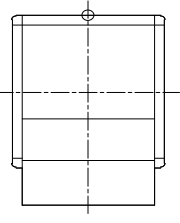
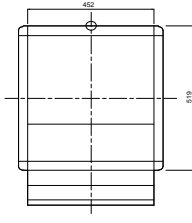
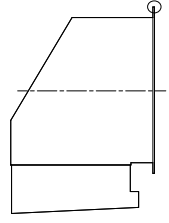
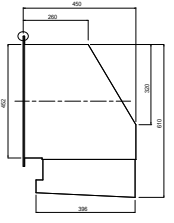
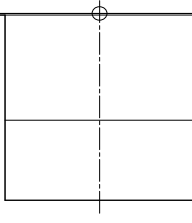
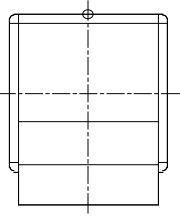
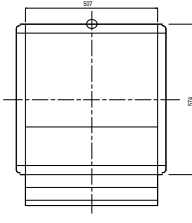
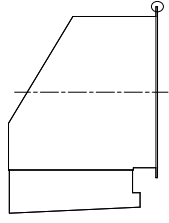
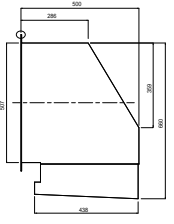
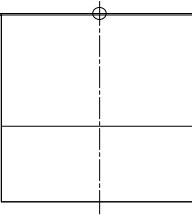
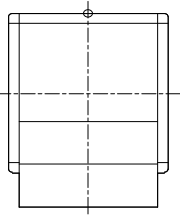
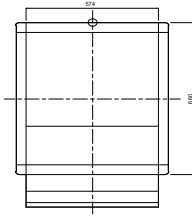
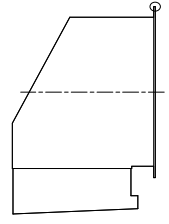
<p>GKV04301.DXF</p> 	<p>GKV04302.DXF</p> 	<p>GKV04303.DXF</p> 	<p>GKV04304.DXF</p> 	<p>GKV04305.DXF</p> 
<p>GKV04306.DXF</p> 	<p>GKV06301.DXF</p> 	<p>GKV06302.DXF</p> 	<p>GKV06303.DXF</p> 	<p>GKV06304.DXF</p> 
<p>GKV06305.DXF</p> 	<p>GKV06306.DXF</p> 	<p>GLV04001.DXF</p> 	<p>GLV04002.DXF</p> 	<p>GLV04003.DXF</p> 
<p>GLV04004.DXF</p> 	<p>GLV04005.DXF</p> 	<p>GLV04006.DXF</p> 	<p>GLV06001.DXF</p> 	<p>GLV06002.DXF</p> 
<p>GLV06003.DXF</p> 	<p>GLV06004.DXF</p> 	<p>GLV06005.DXF</p> 	<p>GLV06006.DXF</p> 	<p>GMP02201.DXF</p> 

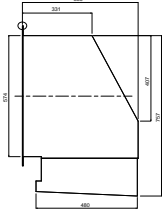
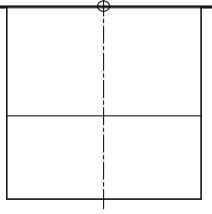
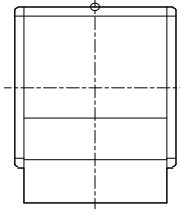
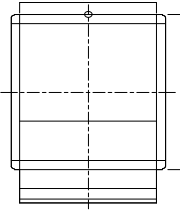
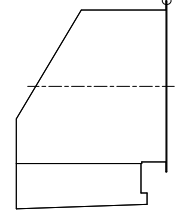
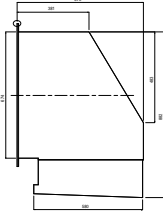
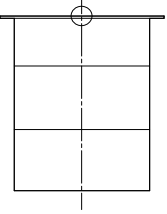
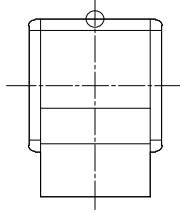
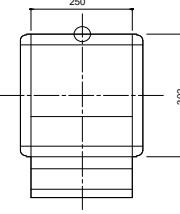
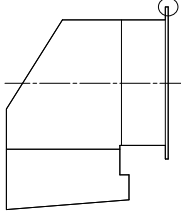
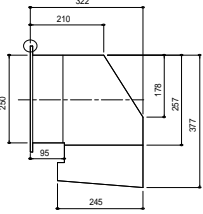
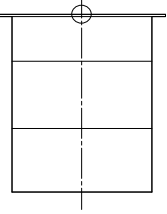
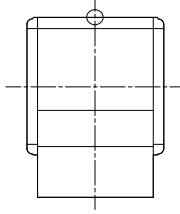
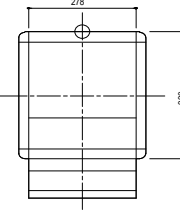
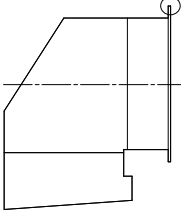
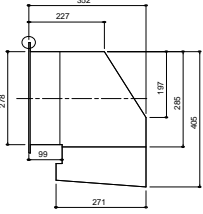
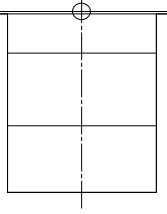
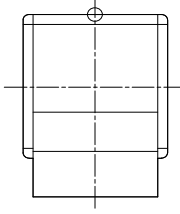
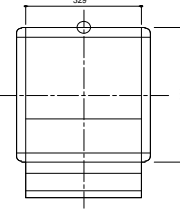
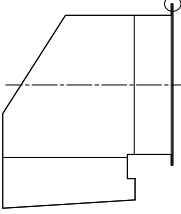
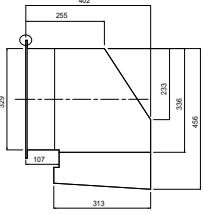
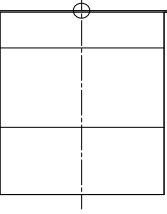
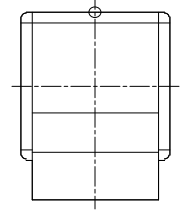
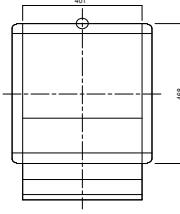
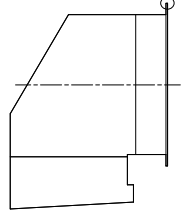
<p>GMP02202.DXF</p> 	<p>GMP02203.DXF</p> 	<p>GMP02204.DXF</p> 	<p>GMP02205.DXF</p> 	<p>GMP02206.DXF</p> 
<p>GP043001.DXF</p> 	<p>GP043002.DXF</p> 	<p>GP043003.DXF</p> 	<p>GP043004.DXF</p> 	<p>GP043005.DXF</p> 
<p>GP043006.DXF</p> 	<p>GP063001.DXF</p> 	<p>GP063002.DXF</p> 	<p>GP063003.DXF</p> 	<p>GP063004.DXF</p> 
<p>GP063005.DXF</p> 	<p>GP063006.DXF</p> 	<p>GPP023T1.DXF</p> 	<p>GPP023T2.DXF</p> 	<p>GPP023T3.DXF</p> 
<p>GPP023T4.DXF</p> 	<p>GPP023T5.DXF</p> 	<p>GPP023T6.DXF</p> 	<p>GPP023W1.DXF</p> 	<p>GPP023W2.DXF</p> 

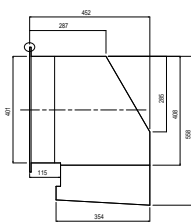
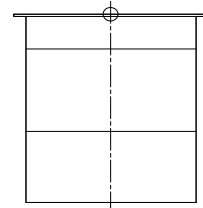
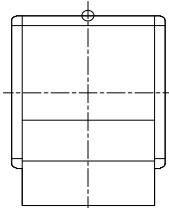
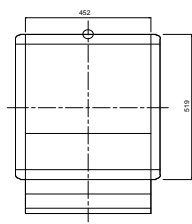
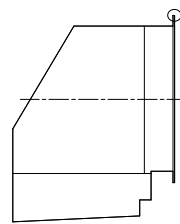
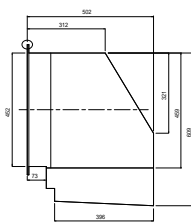
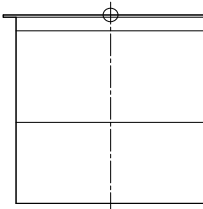
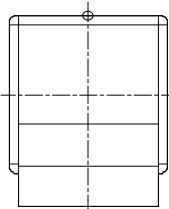
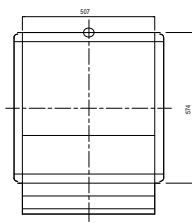
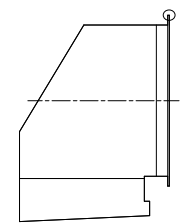
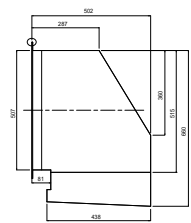
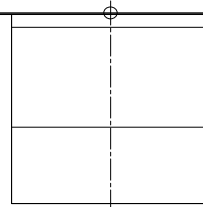
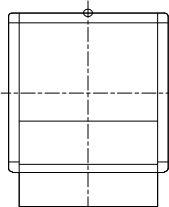
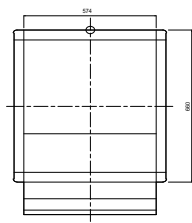
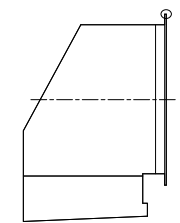
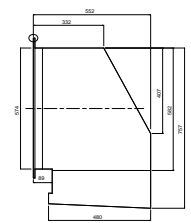
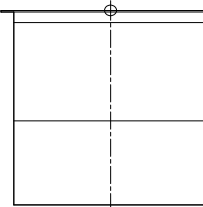
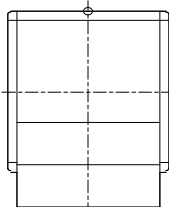
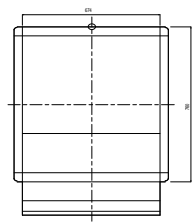
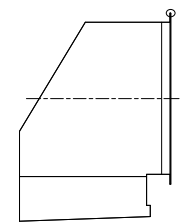
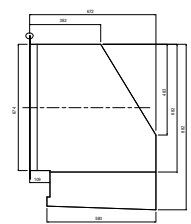
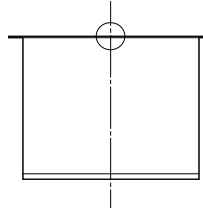
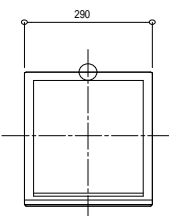
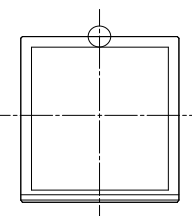
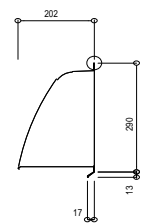
<p>GPP023W3.DXF</p>	<p>GPP023W4.DXF</p>	<p>GPP023W5.DXF</p>	<p>GPP023W6.DXF</p>	<p>GPV04301.DXF</p>
<p>GPV04302.DXF</p>	<p>GPV04303.DXF</p>	<p>GPV04304.DXF</p>	<p>GPV04305.DXF</p>	<p>GPV04306.DXF</p>
<p>GPV06301.DXF</p>	<p>GPV06302.DXF</p>	<p>GPV06303.DXF</p>	<p>GPV06304.DXF</p>	<p>GPV06305.DXF</p>
<p>GPV06306.DXF</p>	<p>GRV04001.DXF</p>	<p>GRV04002.DXF</p>	<p>GRV04003.DXF</p>	<p>GRV04004.DXF</p>
<p>GRV04005.DXF</p>	<p>GRV04006.DXF</p>	<p>GSV04101.DXF</p>	<p>GSV04102.DXF</p>	<p>GSV04103.DXF</p>

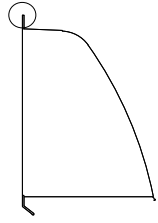
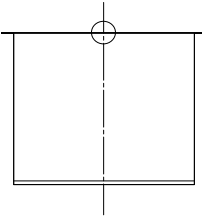
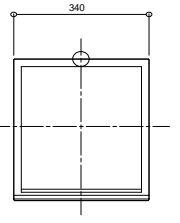
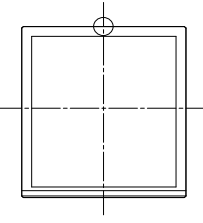
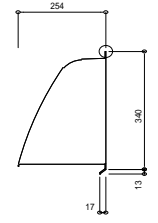
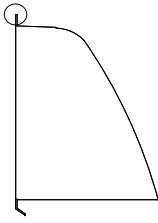
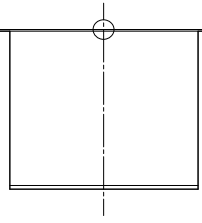
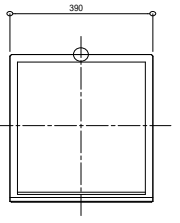
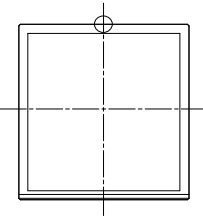
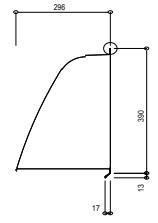
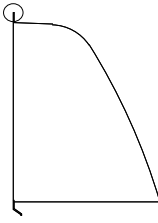
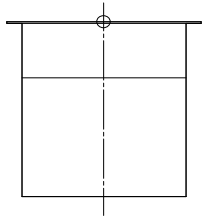
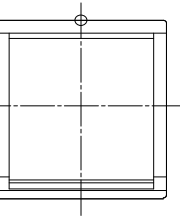
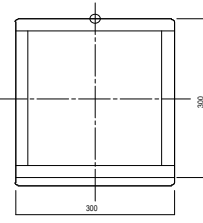
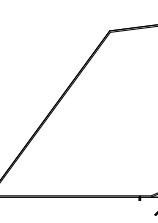
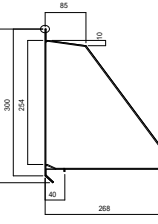
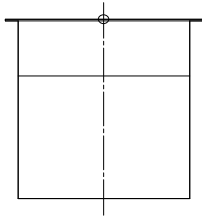
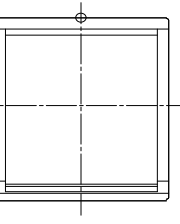
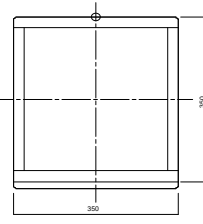
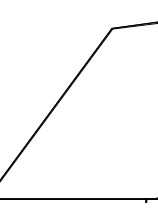
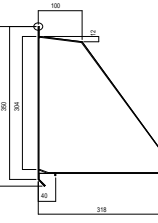
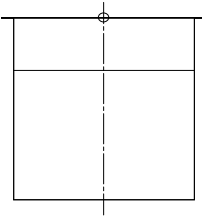
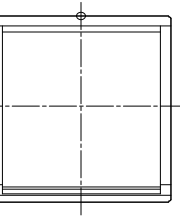
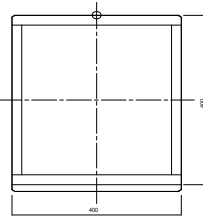

<p>GSV04104.DXF</p> 	<p>GSV04105.DXF</p> 	<p>GSV04106.DXF</p> 	<p>GSV06101.DXF</p> 	<p>GSV06102.DXF</p> 
<p>GSV06103.DXF</p> 	<p>GSV06104.DXF</p> 	<p>GSV06105.DXF</p> 	<p>GSV06106.DXF</p> 	<p>GSV06107.DXF</p> 
<p>GWF02302.DXF</p> 	<p>GWF02303.DXF</p> 	<p>GWF02304.DXF</p> 	<p>GWF02305.DXF</p> 	<p>GWF02306.DXF</p> 
<p>GWF04302.DXF</p> 	<p>GWF04303.DXF</p> 	<p>GWF04304.DXF</p> 	<p>GWF04305.DXF</p> 	<p>GWF04306.DXF</p> 
<p>GWV02302.DXF</p> 	<p>GWV02303.DXF</p> 	<p>GWV02304.DXF</p> 	<p>GWV02305.DXF</p> 	<p>GWV02306.DXF</p> 

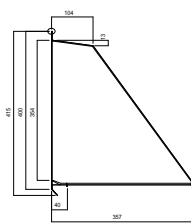
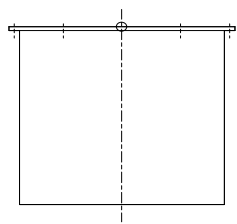
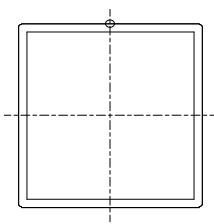
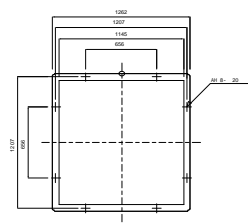
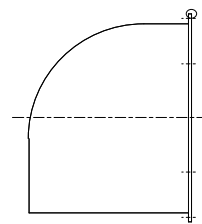
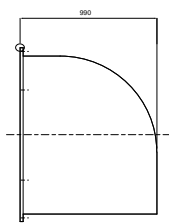
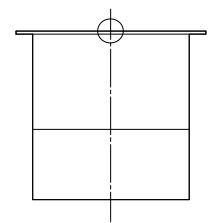
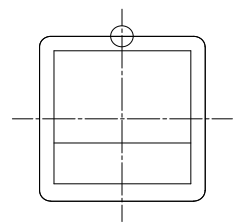
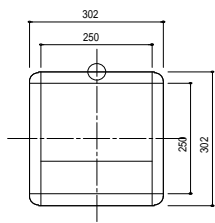
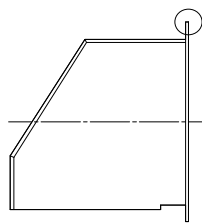
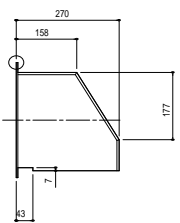
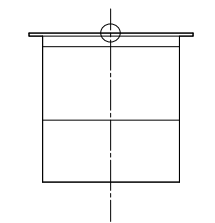
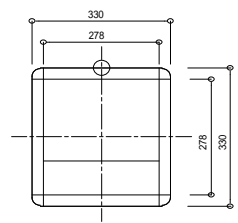
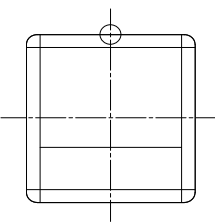
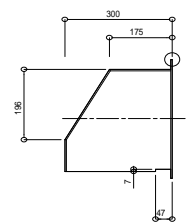
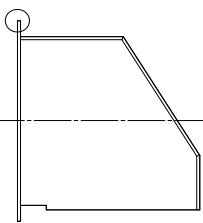
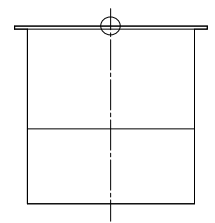
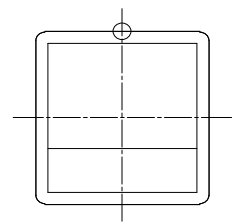
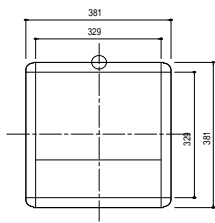
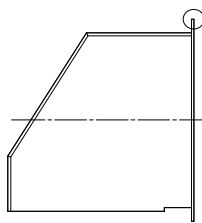
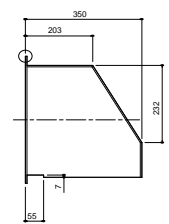
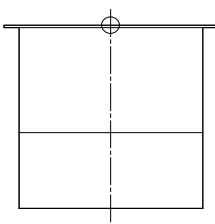
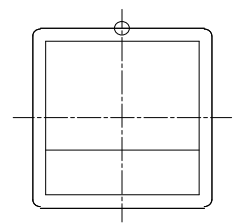
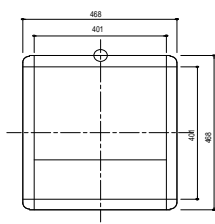
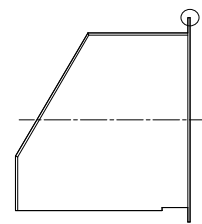
<p>GWV04301.DXF</p> 	<p>GWV04302.DXF</p> 	<p>GWV04303.DXF</p> 	<p>GWV04304.DXF</p> 	<p>GWV04305.DXF</p> 
<p>GWV04306.DXF</p> 	<p>GYP02001.DXF</p> 	<p>GYP02002.DXF</p> 	<p>GYP02003.DXF</p> 	<p>GYP02004.DXF</p> 
<p>GYP02005.DXF</p> 	<p>GZ250001.DXF</p> 	<p>GZ250002.DXF</p> 	<p>GZ250003.DXF</p> 	<p>GZ250004.DXF</p> 
<p>GZ250005.DXF</p> 	<p>HAX20301.DXF</p> 	<p>HAX20302.DXF</p> 	<p>HAX20303.DXF</p> 	<p>HAX20304.DXF</p> 
<p>HAX20305.DXF</p> 	<p>HAX25301.DXF</p> 	<p>HAX25302.DXF</p> 	<p>HAX25303.DXF</p> 	<p>HAX25304.DXF</p> 

<p>HAX25305.DXF</p> 	<p>HAX30301.DXF</p> 	<p>HAX30302.DXF</p> 	<p>HAX30303.DXF</p> 	<p>HAX30304.DXF</p> 
<p>HAX30305.DXF</p> 	<p>HAX35301.DXF</p> 	<p>HAX35302.DXF</p> 	<p>HAX35303.DXF</p> 	<p>HAX35304.DXF</p> 
<p>HAX35305.DXF</p> 	<p>HAX40301.DXF</p> 	<p>HAX40302.DXF</p> 	<p>HAX40303.DXF</p> 	<p>HAX40304.DXF</p> 
<p>HAX40305.DXF</p> 	<p>HAX45301.DXF</p> 	<p>HAX45302.DXF</p> 	<p>HAX45303.DXF</p> 	<p>HAX45304.DXF</p> 
<p>HAX45305.DXF</p> 	<p>HAX50301.DXF</p> 	<p>HAX50302.DXF</p> 	<p>HAX50303.DXF</p> 	<p>HAX50304.DXF</p> 

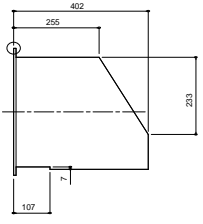
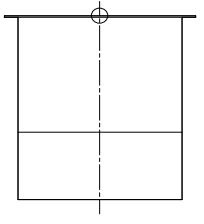
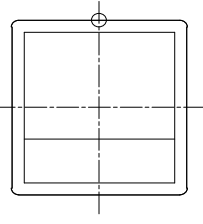
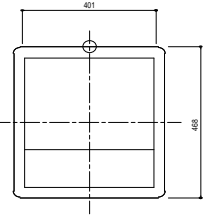
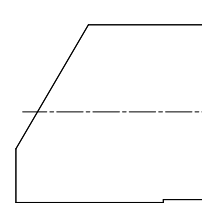
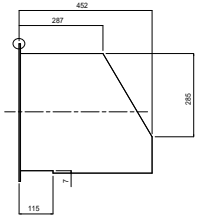
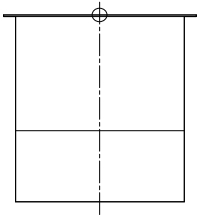
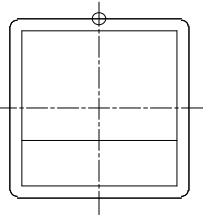
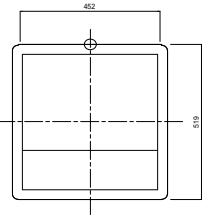
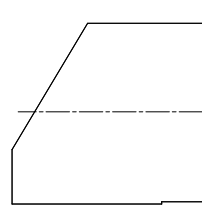
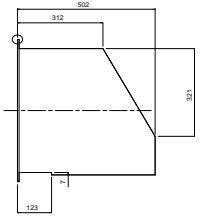
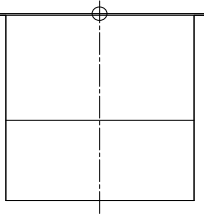
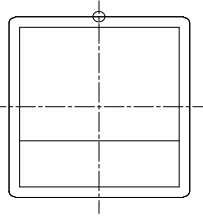
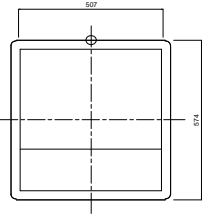
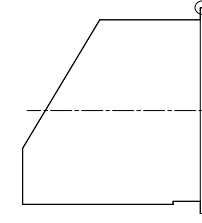
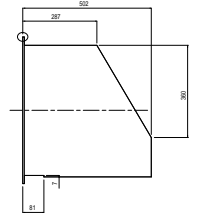
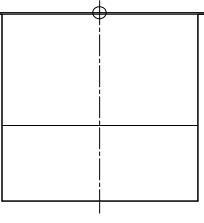
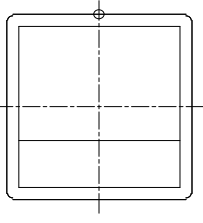
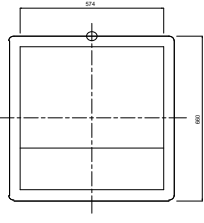
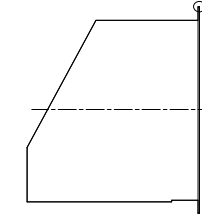
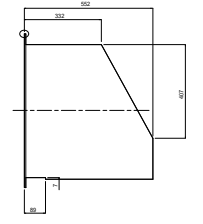
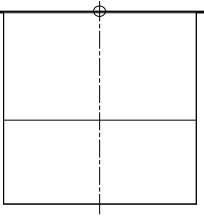
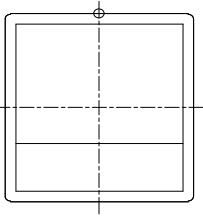
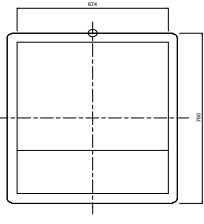
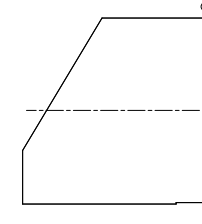
<p>HAX50305.DXF</p> 	<p>HAX60301.DXF</p> 	<p>HAX60302.DXF</p> 	<p>HAX60303.DXF</p> 	<p>HAX60304.DXF</p> 
<p>HAX60305.DXF</p> 	<p>HAXA2031.DXF</p> 	<p>HAXA2032.DXF</p> 	<p>HAXA2033.DXF</p> 	<p>HAXA2034.DXF</p> 
<p>HAXA2035.DXF</p> 	<p>HAXA2531.DXF</p> 	<p>HAXA2532.DXF</p> 	<p>HAXA2533.DXF</p> 	<p>HAXA2534.DXF</p> 
<p>HAXA2535.DXF</p> 	<p>HAXA3031.DXF</p> 	<p>HAXA3032.DXF</p> 	<p>HAXA3033.DXF</p> 	<p>HAXA3034.DXF</p> 
<p>HAXA3035.DXF</p> 	<p>HAXA3531.DXF</p> 	<p>HAXA3532.DXF</p> 	<p>HAXA3533.DXF</p> 	<p>HAXA3534.DXF</p> 

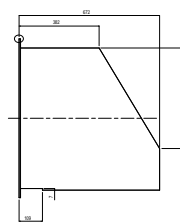
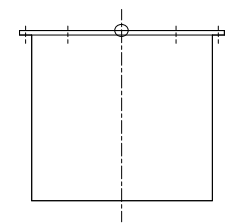
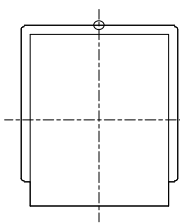
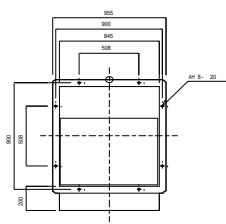
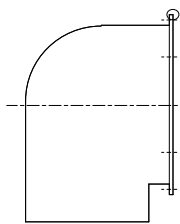
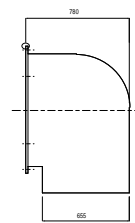
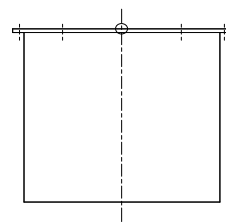
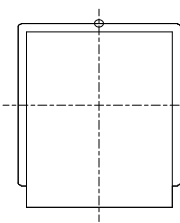
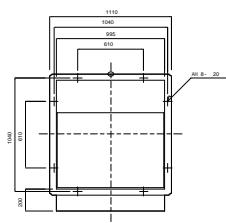
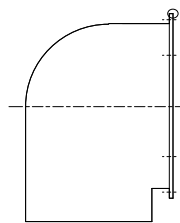
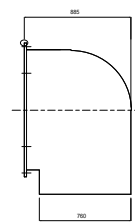
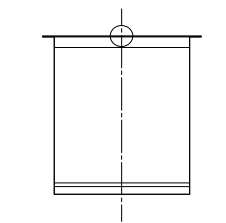
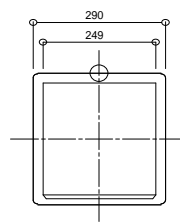
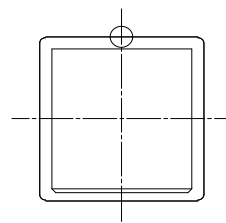
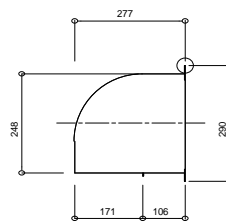
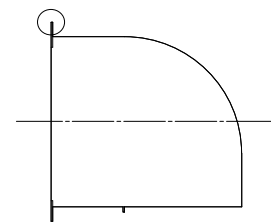
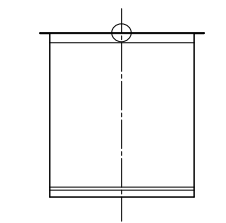
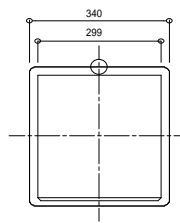
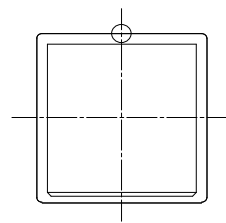
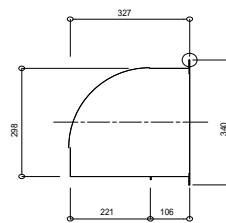
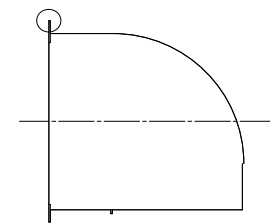
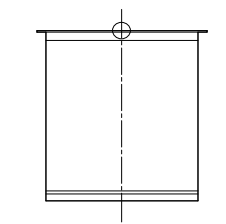
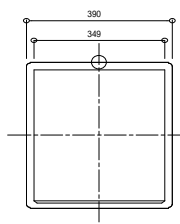
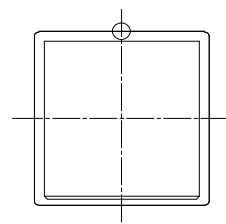
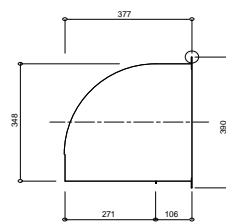
<p>HAXA3535.DXF</p> 	<p>HAXA4031.DXF</p> 	<p>HAXA4032.DXF</p> 	<p>HAXA4033.DXF</p> 	<p>HAXA4034.DXF</p> 
<p>HAXA4035.DXF</p> 	<p>HAXA4531.DXF</p> 	<p>HAXA4532.DXF</p> 	<p>HAXA4533.DXF</p> 	<p>HAXA4534.DXF</p> 
<p>HAXA4535.DXF</p> 	<p>HAXA5031.DXF</p> 	<p>HAXA5032.DXF</p> 	<p>HAXA5033.DXF</p> 	<p>HAXA5034.DXF</p> 
<p>HAXA5035.DXF</p> 	<p>HAXA6031.DXF</p> 	<p>HAXA6032.DXF</p> 	<p>HAXA6033.DXF</p> 	<p>HAXA6034.DXF</p> 
<p>HAXA6035.DXF</p> 	<p>HDA20001.DXF</p> 	<p>HDA20002.DXF</p> 	<p>HDA20003.DXF</p> 	<p>HDA20004.DXF</p> 

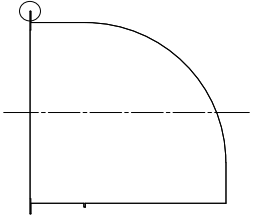
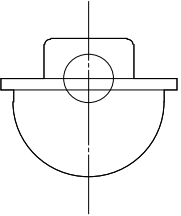
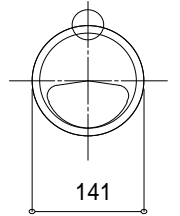
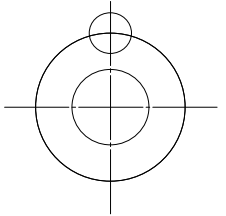
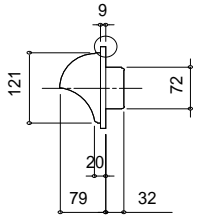
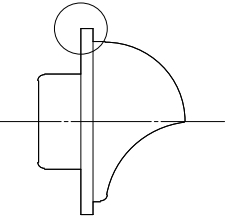
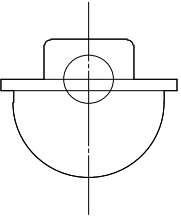
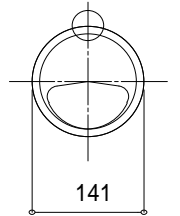
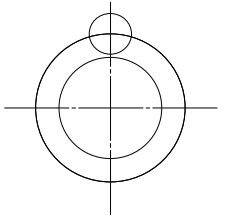
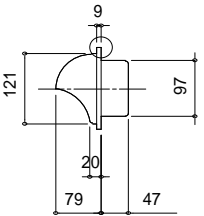
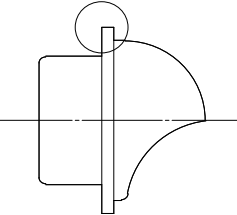
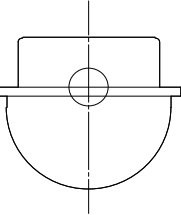
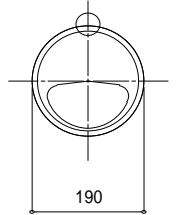
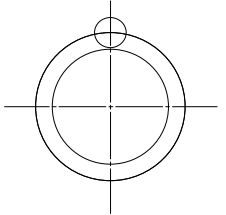
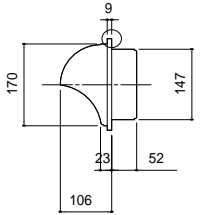
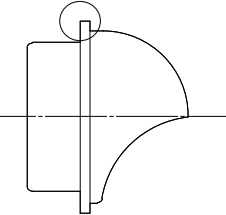
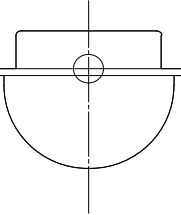
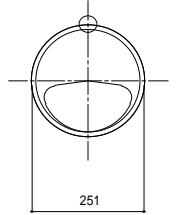
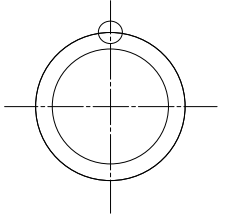
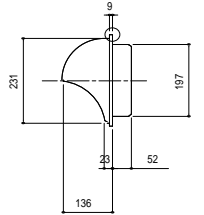
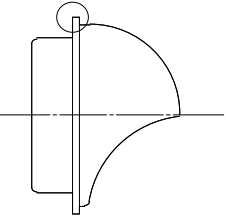
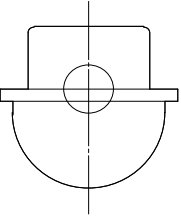
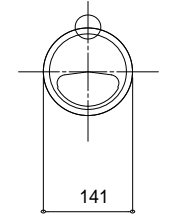
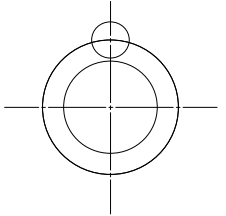
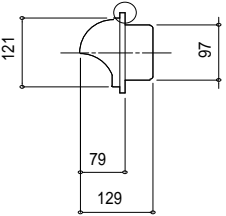
<p>HDA20005.DXF</p> 	<p>HDA25001.DXF</p> 	<p>HDA25002.DXF</p> 	<p>HDA25003.DXF</p> 	<p>HDA25004.DXF</p> 
<p>HDA25005.DXF</p> 	<p>HDA30001.DXF</p> 	<p>HDA30002.DXF</p> 	<p>HDA30003.DXF</p> 	<p>HDA30004.DXF</p> 
<p>HDA30005.DXF</p> 	<p>HDXA2001.DXF</p> 	<p>HDXA2002.DXF</p> 	<p>HDXA2003.DXF</p> 	<p>HDXA2004.DXF</p> 
<p>HDXA2005.DXF</p> 	<p>HDXA2501.DXF</p> 	<p>HDXA2502.DXF</p> 	<p>HDXA2503.DXF</p> 	<p>HDXA2504.DXF</p> 
<p>HDXA2505.DXF</p> 	<p>HDXA3001.DXF</p> 	<p>HDXA3002.DXF</p> 	<p>HDXA3003.DXF</p> 	<p>HDXA3004.DXF</p> 

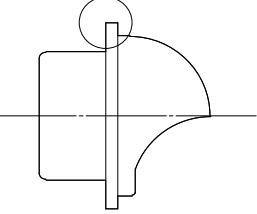
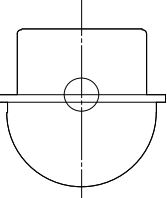
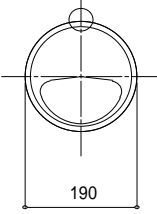
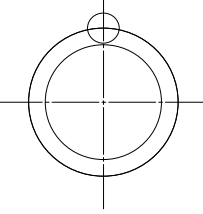
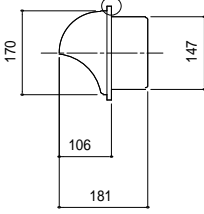
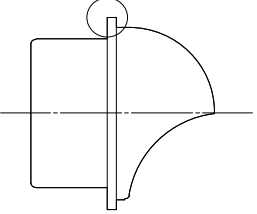
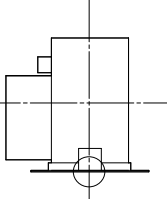
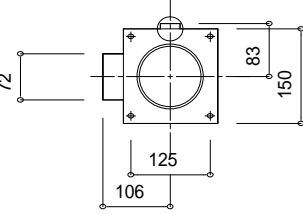
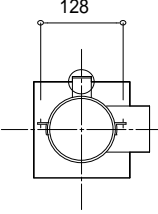
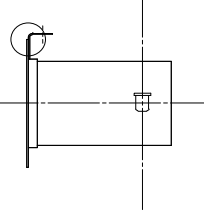
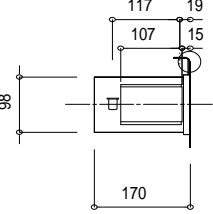
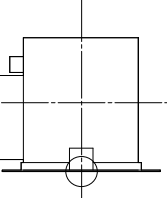
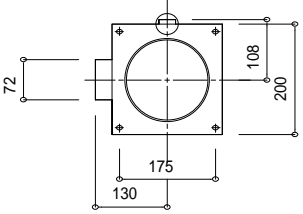
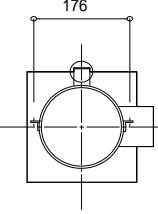
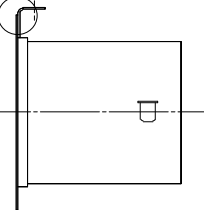
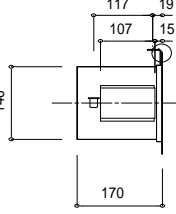
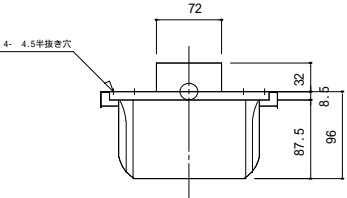
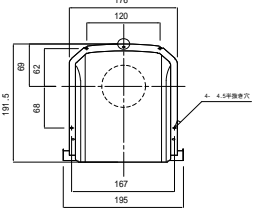
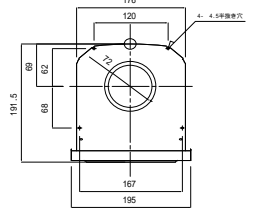
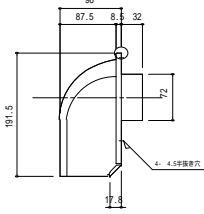
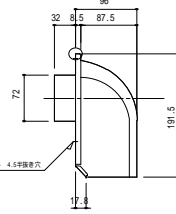
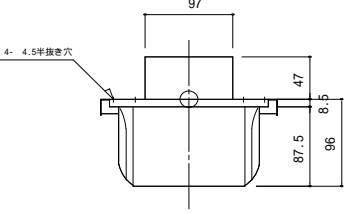
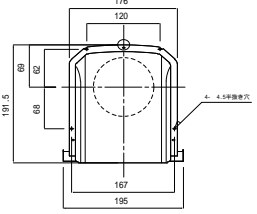
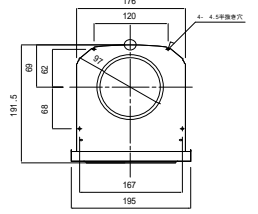
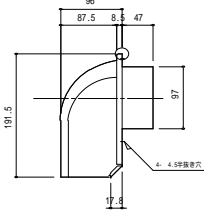
<p>HDXA3005.DXF</p> 	<p>HMS10531.DXF</p> 	<p>HMS10532.DXF</p> 	<p>HMS10533.DXF</p> 	<p>HMS10534.DXF</p> 
<p>HMS10535.DXF</p> 	<p>HMS20301.DXF</p> 	<p>HMS20302.DXF</p> 	<p>HMS20303.DXF</p> 	<p>HMS20304.DXF</p> 
<p>HMS20305.DXF</p> 	<p>HMS25301.DXF</p> 	<p>HMS25302.DXF</p> 	<p>HMS25303.DXF</p> 	<p>HMS25304.DXF</p> 
<p>HMS25305.DXF</p> 	<p>HMS30301.DXF</p> 	<p>HMS30302.DXF</p> 	<p>HMS30303.DXF</p> 	<p>HMS30304.DXF</p> 
<p>HMS30305.DXF</p> 	<p>HMS35301.DXF</p> 	<p>HMS35302.DXF</p> 	<p>HMS35303.DXF</p> 	<p>HMS35304.DXF</p> 

<p>HMS35305.DXF</p>	<p>HMS40301.DXF</p>	<p>HMS40302.DXF</p>	<p>HMS40303.DXF</p>	<p>HMS40304.DXF</p>
<p>HMS40305.DXF</p>	<p>HMS45301.DXF</p>	<p>HMS45302.DXF</p>	<p>HMS45303.DXF</p>	<p>HMS45304.DXF</p>
<p>HMS45305.DXF</p>	<p>HMS50301.DXF</p>	<p>HMS50302.DXF</p>	<p>HMS50303.DXF</p>	<p>HMS50304.DXF</p>
<p>HMS50305.DXF</p>	<p>HMS60301.DXF</p>	<p>HMS60302.DXF</p>	<p>HMS60303.DXF</p>	<p>HMS60304.DXF</p>
<p>HMS60305.DXF</p>	<p>HMS75301.DXF</p>	<p>HMS75302.DXF</p>	<p>HMS75303.DXF</p>	<p>HMS75304.DXF</p>

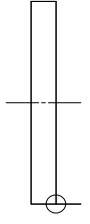
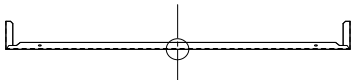
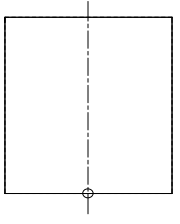
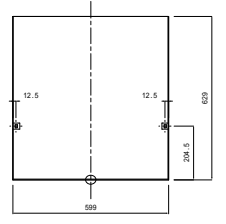
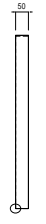
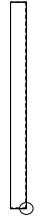
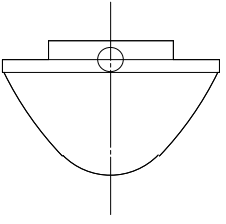
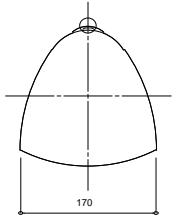
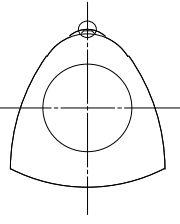
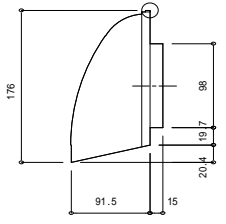
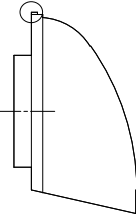
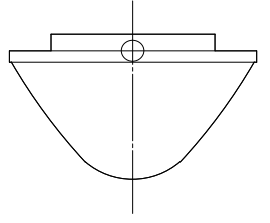
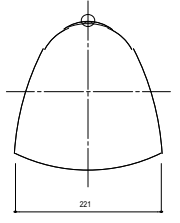
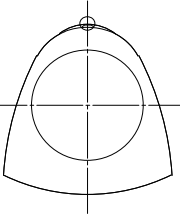
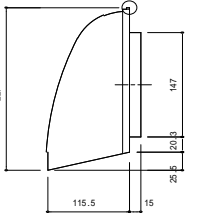
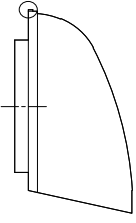
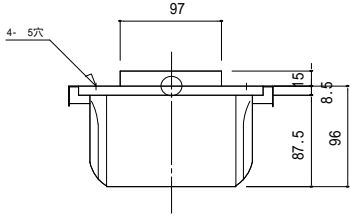
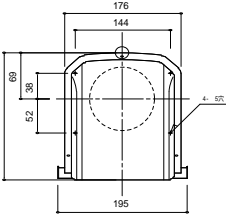
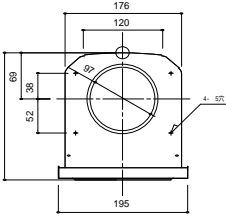
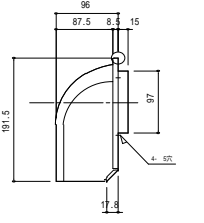
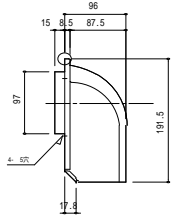
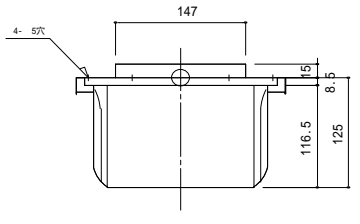
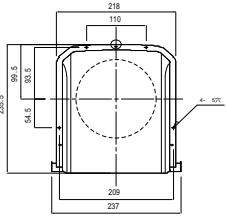
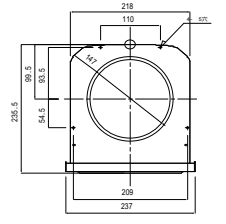
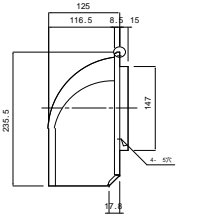
<p>HMSA3035.DXF</p> 	<p>HMSA3531.DXF</p> 	<p>HMSA3532.DXF</p> 	<p>HMSA3533.DXF</p> 	<p>HMSA3534.DXF</p> 
<p>HMSA3535.DXF</p> 	<p>HMSA4031.DXF</p> 	<p>HMSA4032.DXF</p> 	<p>HMSA4033.DXF</p> 	<p>HMSA4034.DXF</p> 
<p>HMSA4035.DXF</p> 	<p>HMSA4531.DXF</p> 	<p>HMSA4532.DXF</p> 	<p>HMSA4533.DXF</p> 	<p>HMSA4534.DXF</p> 
<p>HMSA4535.DXF</p> 	<p>HMSA5031.DXF</p> 	<p>HMSA5032.DXF</p> 	<p>HMSA5033.DXF</p> 	<p>HMSA5034.DXF</p> 
<p>HMSA5035.DXF</p> 	<p>HMSA6031.DXF</p> 	<p>HMSA6032.DXF</p> 	<p>HMSA6033.DXF</p> 	<p>HMSA6034.DXF</p> 

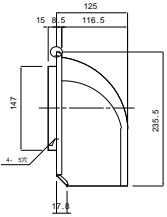
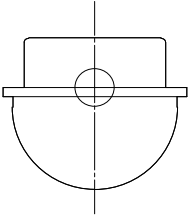
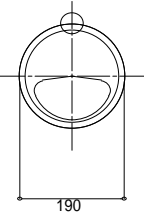
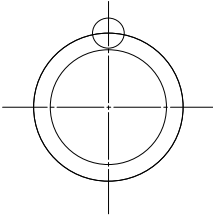
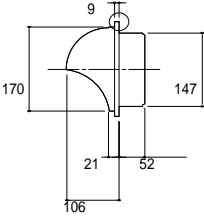
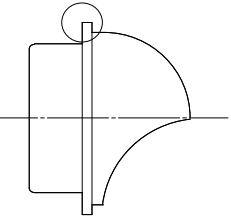
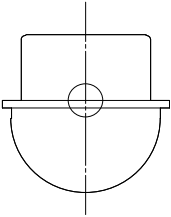
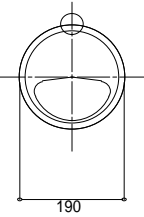
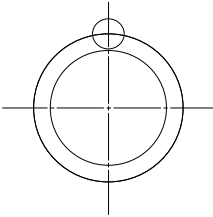
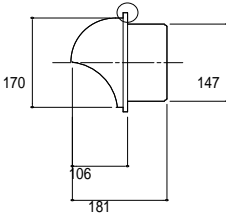
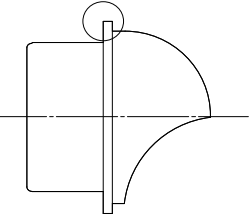
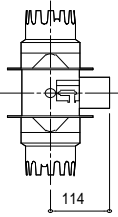
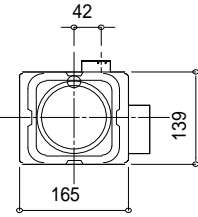
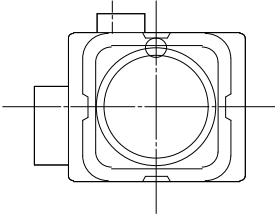
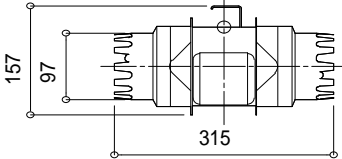
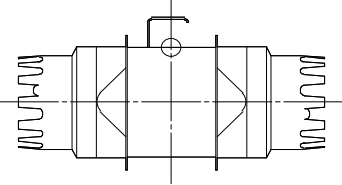
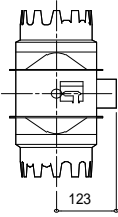
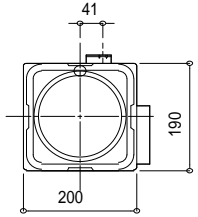
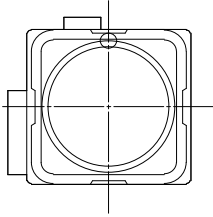
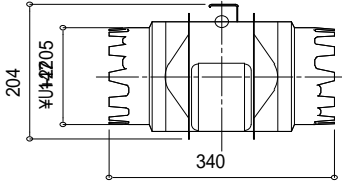
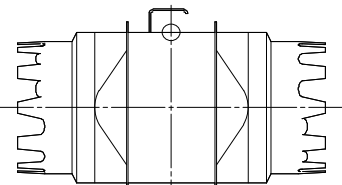
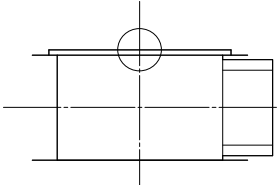
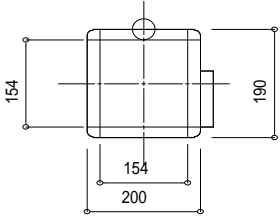
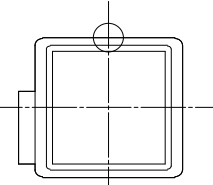
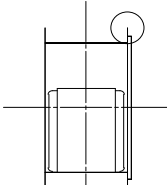
<p>HMSA6035.DXF</p> 	<p>HMSA7531.DXF</p> 	<p>HMSA7532.DXF</p> 	<p>HMSA7533.DXF</p> 	<p>HMSA7534.DXF</p> 
<p>HMSA7535.DXF</p> 	<p>HMSA9031.DXF</p> 	<p>HMSA9032.DXF</p> 	<p>HMSA9033.DXF</p> 	<p>HMSA9034.DXF</p> 
<p>HMSA9035.DXF</p> 	<p>HXL20101.DXF</p> 	<p>HXL20102.DXF</p> 	<p>HXL20103.DXF</p> 	<p>HXL20104.DXF</p> 
<p>HXL20105.DXF</p> 	<p>HXL25101.DXF</p> 	<p>HXL25102.DXF</p> 	<p>HXL25103.DXF</p> 	<p>HXL25104.DXF</p> 
<p>HXL25105.DXF</p> 	<p>HXL30101.DXF</p> 	<p>HXL30102.DXF</p> 	<p>HXL30103.DXF</p> 	<p>HXL30104.DXF</p> 

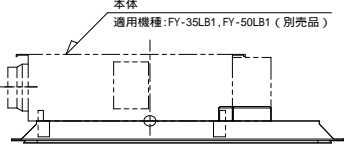
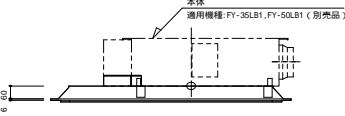
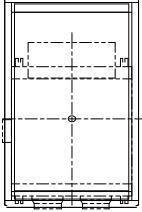
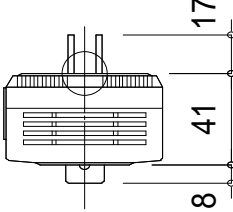
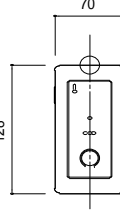
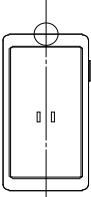
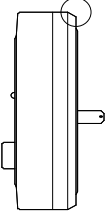
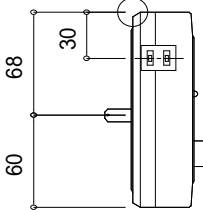
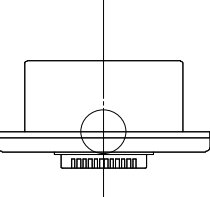
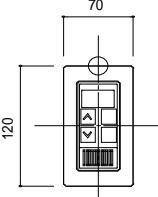
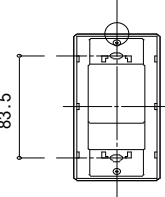
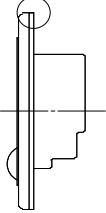
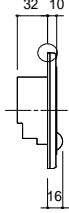
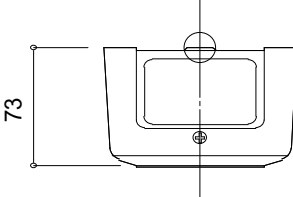
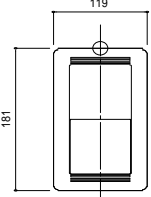
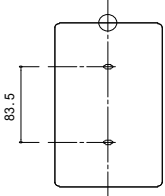
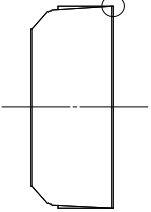
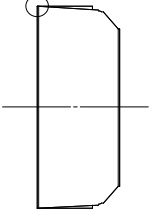
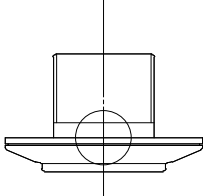
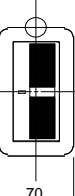
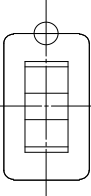
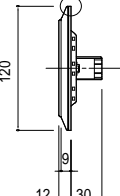
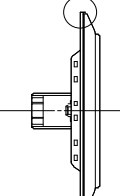
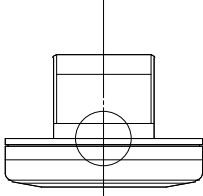
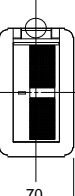
HXL30105.DXF 	MCX03101.DXF 	MCX03102.DXF 	MCX03103.DXF 	MCX03104.DXF 
MCX03105.DXF 	MCX04201.DXF 	MCX04202.DXF 	MCX04203.DXF 	MCX04204.DXF 
MCX04205.DXF 	MCX06201.DXF 	MCX06202.DXF 	MCX06203.DXF 	MCX06204.DXF 
MCX06205.DXF 	MCX08101.DXF 	MCX08102.DXF 	MCX08103.DXF 	MCX08104.DXF 
MCX08105.DXF 	MCXA4BL1.DXF 	MCXA4BL2.DXF 	MCXA4BL3.DXF 	MCXA4BL4.DXF 

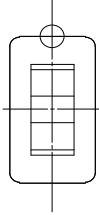
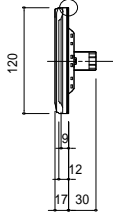
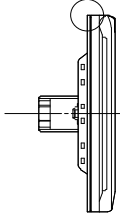
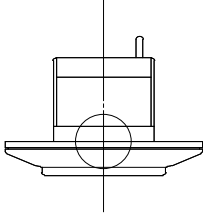
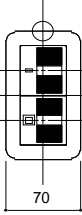
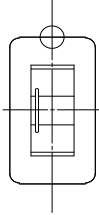
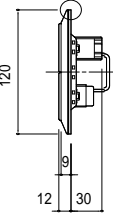
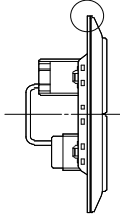
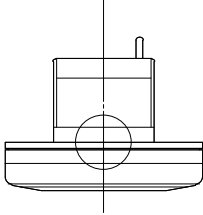
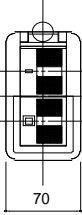
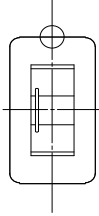
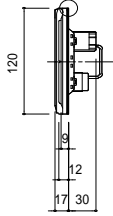
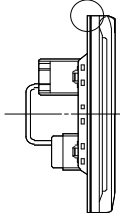
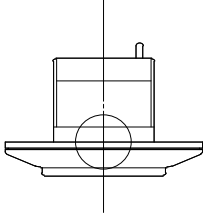
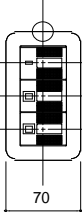
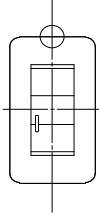
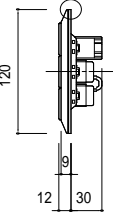
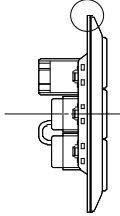
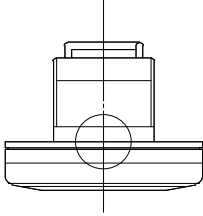
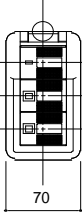
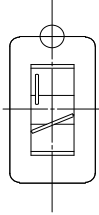
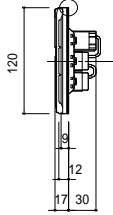
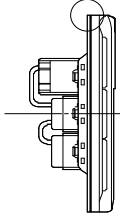
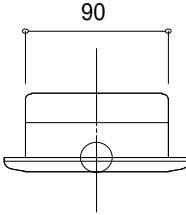
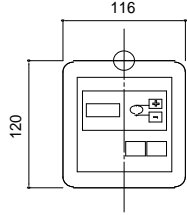
<p>MCXA4BL5.DXF</p> 	<p>MCXA6BL1.DXF</p> 	<p>MCXA6BL2.DXF</p> 	<p>MCXA6BL3.DXF</p> 	<p>MCXA6BL4.DXF</p> 
<p>MCXA6BL5.DXF</p> 	<p>MDS04201.DXF</p> 	<p>MDS04202.DXF</p> 	<p>MDS04203.DXF</p> 	<p>MDS04204.DXF</p> 
<p>MDS04205.DXF</p> 	<p>MDS06201.DXF</p> 	<p>MDS06202.DXF</p> 	<p>MDS06203.DXF</p> 	<p>MDS06204.DXF</p> 
<p>MDS06205.DXF</p> 	<p>MFX03301.DXF</p> 	<p>MFX03302.DXF</p> 	<p>MFX03303.DXF</p> 	<p>MFX03304.DXF</p> 
<p>MFX03305.DXF</p> 	<p>MFX04301.DXF</p> 	<p>MFX04302.DXF</p> 	<p>MFX04303.DXF</p> 	<p>MFX04304.DXF</p> 

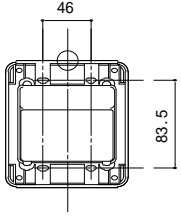
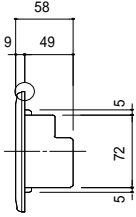
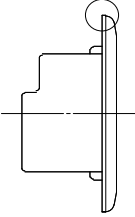
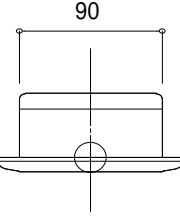
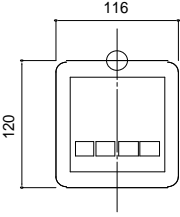
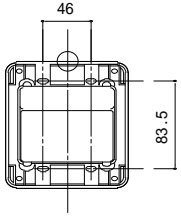
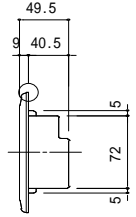
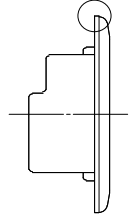
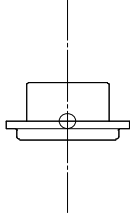
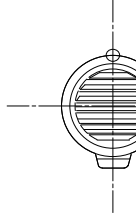
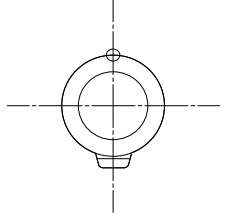
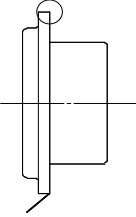
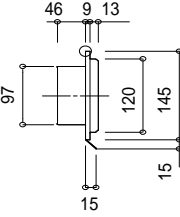
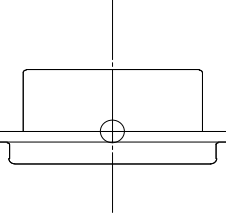
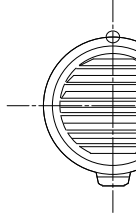
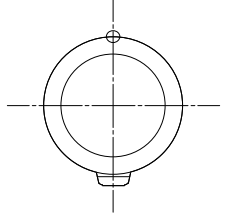
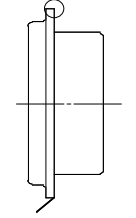
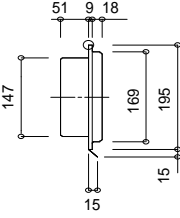
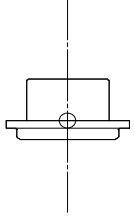
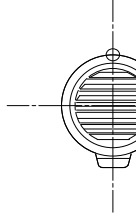
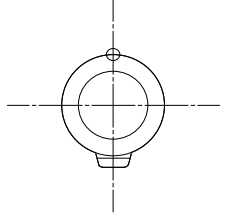
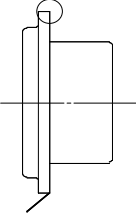
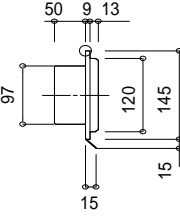
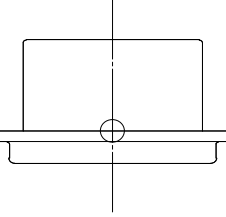
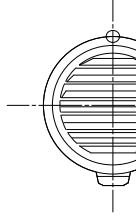
<p>MFX04305.DXF</p>	<p>MFX05301.DXF</p>	<p>MFX05302.DXF</p>	<p>MFX05303.DXF</p>	<p>MFX05304.DXF</p>
<p>MFX05305.DXF</p>	<p>MFX06301.DXF</p>	<p>MFX06302.DXF</p>	<p>MFX06303.DXF</p>	<p>MFX06304.DXF</p>
<p>MFX06305.DXF</p>	<p>MFX08301.DXF</p>	<p>MFX08302.DXF</p>	<p>MFX08303.DXF</p>	<p>MFX08304.DXF</p>
<p>MFX08305.DXF</p>	<p>MH602R01.DXF</p>	<p>MH602R02.DXF</p>	<p>MH602R03.DXF</p>	<p>MH602R04.DXF</p>
<p>MH602R05.DXF</p>	<p>MH640R01.DXF</p>	<p>MH640R02.DXF</p>	<p>MH640R03.DXF</p>	<p>MH640R04.DXF</p>

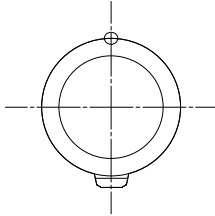
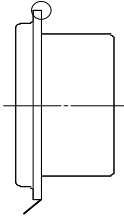
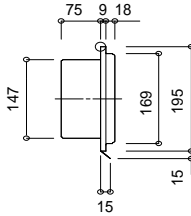
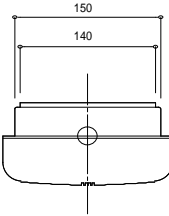
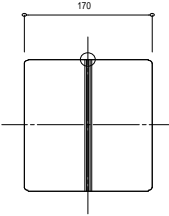
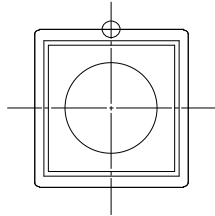
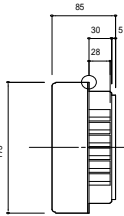
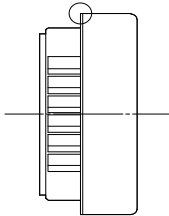
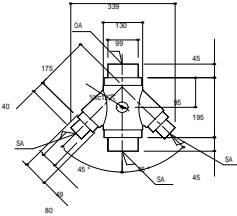
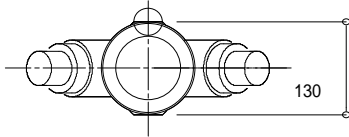
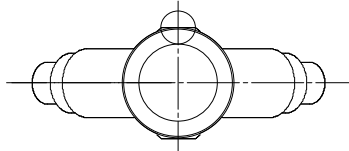
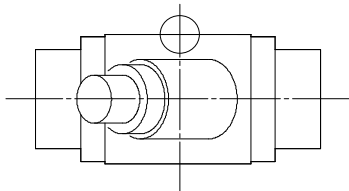
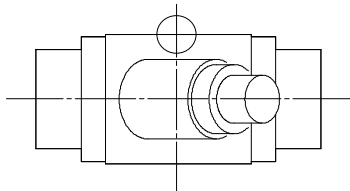
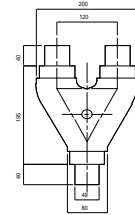
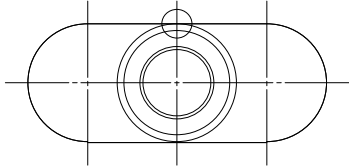
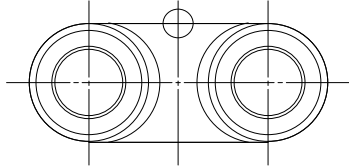
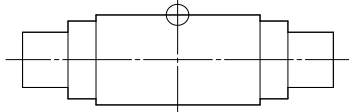
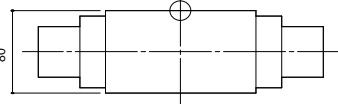
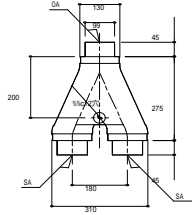
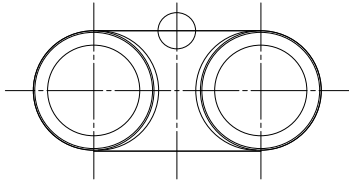
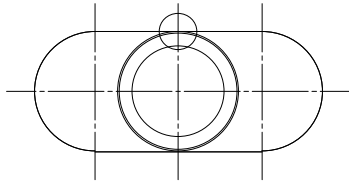
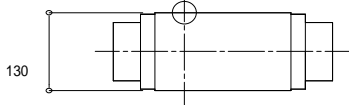
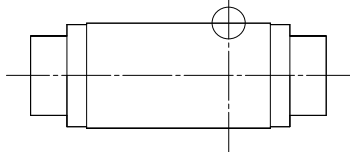
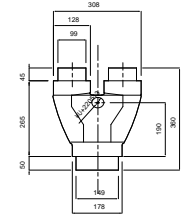
<p>MH640R05.DXF</p> 	<p>MH663CJ1.DXF</p> 	<p>MH663CJ2.DXF</p> 	<p>MH663CJ3.DXF</p> 	<p>MH663CJ4.DXF</p> 
<p>MH663CJ5.DXF</p> 	<p>MKP04001.DXF</p> 	<p>MKP04002.DXF</p> 	<p>MKP04003.DXF</p> 	<p>MKP04004.DXF</p> 
<p>MKP04005.DXF</p> 	<p>MKP06001.DXF</p> 	<p>MKP06002.DXF</p> 	<p>MKP06003.DXF</p> 	<p>MKP06004.DXF</p> 
<p>MKP06005.DXF</p> 	<p>MKX04301.DXF</p> 	<p>MKX04302.DXF</p> 	<p>MKX04303.DXF</p> 	<p>MKX04304.DXF</p> 
<p>MKX04305.DXF</p> 	<p>MKX06301.DXF</p> 	<p>MKX06302.DXF</p> 	<p>MKX06303.DXF</p> 	<p>MKX06304.DXF</p> 

<p>MKX06305.DXF</p> 	<p>MNX06201.DXF</p> 	<p>MNX06202.DXF</p> 	<p>MNX06203.DXF</p> 	<p>MNX06204.DXF</p> 
<p>MNX06205.DXF</p> 	<p>MNXA0621.DXF</p> 	<p>MNXA0622.DXF</p> 	<p>MNXA0623.DXF</p> 	<p>MNXA0624.DXF</p> 
<p>MNXA0625.DXF</p> 	<p>MS044001.DXF</p> 	<p>MS044002.DXF</p> 	<p>MS044003.DXF</p> 	<p>MS044004.DXF</p> 
<p>MS044005.DXF</p> 	<p>MS064001.DXF</p> 	<p>MS064002.DXF</p> 	<p>MS064003.DXF</p> 	<p>MS064004.DXF</p> 
<p>MS064005.DXF</p> 	<p>MSS06001.DXF</p> 	<p>MSS06002.DXF</p> 	<p>MSS06003.DXF</p> 	<p>MSS06004.DXF</p> 

<p>RLL50104.DXF</p> 	<p>RLL50105.DXF</p> 	<p>RLL50106.DXF</p> 	<p>ST030001.DXF</p> 	<p>ST030002.DXF</p> 
<p>ST030003.DXF</p> 	<p>ST030004.DXF</p> 	<p>ST030005.DXF</p> 	<p>STKS0301.DXF</p> 	<p>STKS0302.DXF</p> 
<p>STKS0303.DXF</p> 	<p>STKS0304.DXF</p> 	<p>STKS0305.DXF</p> 	<p>STS06001.DXF</p> 	<p>STS06002.DXF</p> 
<p>STS06003.DXF</p> 	<p>STS06004.DXF</p> 	<p>STS06005.DXF</p> 	<p>SV05W001.DXF</p> 	<p>SV05W002.DXF</p> 
<p>SV05W003.DXF</p> 	<p>SV05W004.DXF</p> 	<p>SV05W005.DXF</p> 	<p>SV05WC01.DXF</p> 	<p>SV05WC02.DXF</p> 

<p>SV05WC03.DXF</p> 	<p>SV05WC04.DXF</p> 	<p>SV05WC05.DXF</p> 	<p>SV11W001.DXF</p> 	<p>SV11W002.DXF</p> 
<p>SV11W003.DXF</p> 	<p>SV11W004.DXF</p> 	<p>SV11W005.DXF</p> 	<p>SV11WC01.DXF</p> 	<p>SV11WC02.DXF</p> 
<p>SV11WC03.DXF</p> 	<p>SV11WC04.DXF</p> 	<p>SV11WC05.DXF</p> 	<p>SV24W001.DXF</p> 	<p>SV24W002.DXF</p> 
<p>SV24W003.DXF</p> 	<p>SV24W004.DXF</p> 	<p>SV24W005.DXF</p> 	<p>SV26WC01.DXF</p> 	<p>SV26WC02.DXF</p> 
<p>SV26WC03.DXF</p> 	<p>SV26WC04.DXF</p> 	<p>SV26WC05.DXF</p> 	<p>TDKS02S1.DXF</p> 	<p>TDKS02S2.DXF</p> 

<p>TDKS02S3.DXF</p> 	<p>TDKS02S4.DXF</p> 	<p>TDKS02S5.DXF</p> 	<p>TGKS01V1.DXF</p> 	<p>TGKS01V2.DXF</p> 
<p>TGKS01V3.DXF</p> 	<p>TGKS01V4.DXF</p> 	<p>TGKS01V5.DXF</p> 	<p>VCA42BL1.DXF</p> 	<p>VCA42BL2.DXF</p> 
<p>VCA42BL3.DXF</p> 	<p>VCA42BL4.DXF</p> 	<p>VCA42BL5.DXF</p> 	<p>VCA62BL1.DXF</p> 	<p>VCA62BL2.DXF</p> 
<p>VCA62BL3.DXF</p> 	<p>VCA62BL4.DXF</p> 	<p>VCA62BL5.DXF</p> 	<p>VCXA43B1.DXF</p> 	<p>VCXA43B2.DXF</p> 
<p>VCXA43B3.DXF</p> 	<p>VCXA43B4.DXF</p> 	<p>VCXA43B5.DXF</p> 	<p>VCXA63B1.DXF</p> 	<p>VCXA63B2.DXF</p> 

<p>VCXA63B3.DXF</p> 	<p>VCXA63B4.DXF</p> 	<p>VCXA63B5.DXF</p> 	<p>WTP04001.DXF</p> 	<p>WTP04002.DXF</p> 
<p>WTP04003.DXF</p> 	<p>WTP04004.DXF</p> 	<p>WTP04005.DXF</p> 	<p>YGH04001.DXF</p> 	<p>YGH04002.DXF</p> 
<p>YGH04003.DXF</p> 	<p>YGH04004.DXF</p> 	<p>YGH04005.DXF</p> 	<p>YHH02001.DXF</p> 	<p>YHH02002.DXF</p> 
<p>YHH02003.DXF</p> 	<p>YHH02004.DXF</p> 	<p>YHH02005.DXF</p> 	<p>YHH04201.DXF</p> 	<p>YHH04202.DXF</p> 
<p>YHH04203.DXF</p> 	<p>YHH04204.DXF</p> 	<p>YHH04205.DXF</p> 	<p>YHH64101.DXF</p> 	<p>YHH64102.DXF</p> 