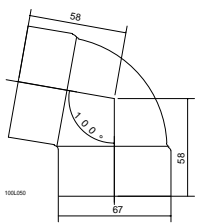
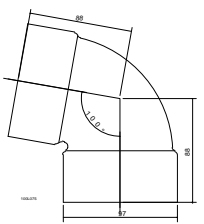
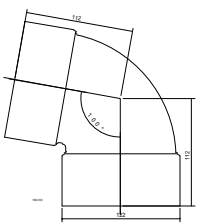
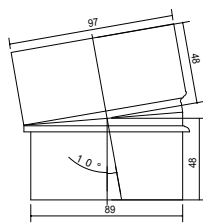
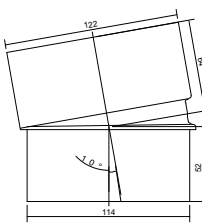
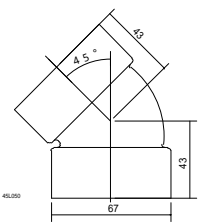
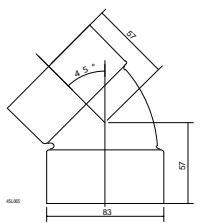
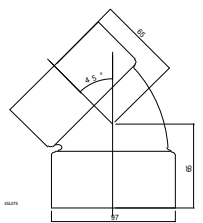
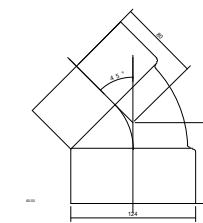
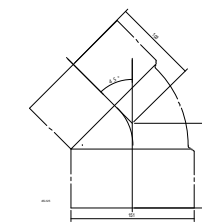
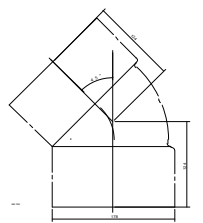
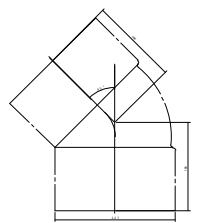
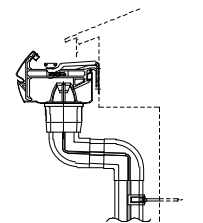
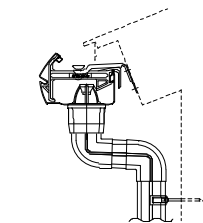
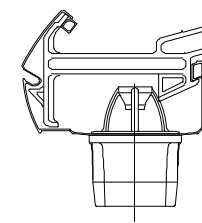
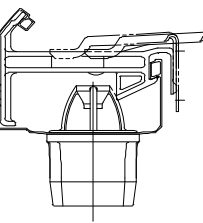
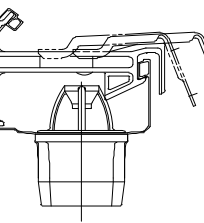
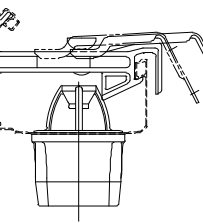
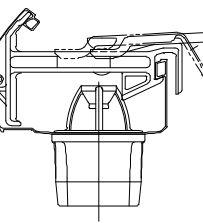
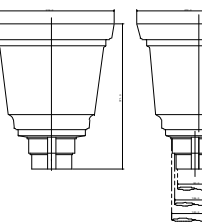
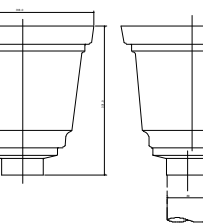
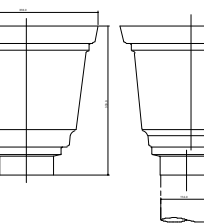
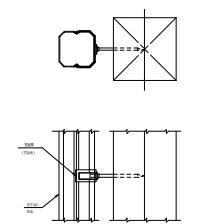
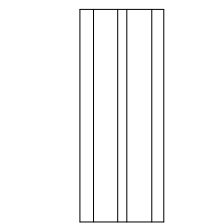
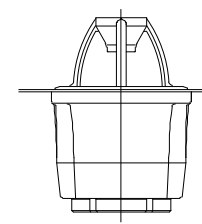
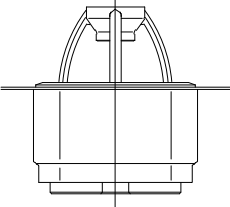
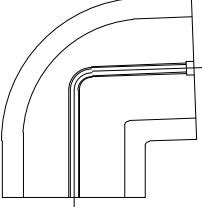
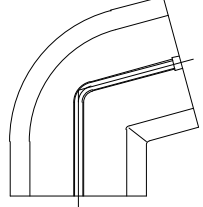
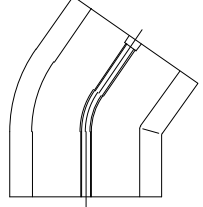
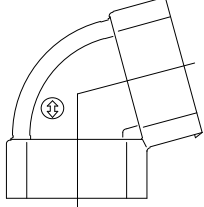
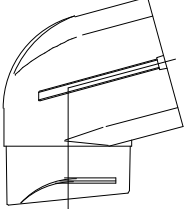
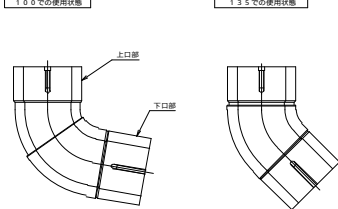
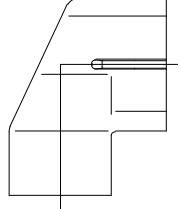
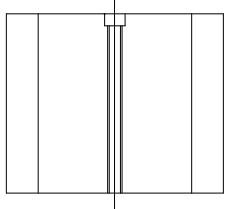
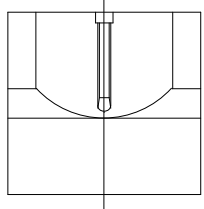
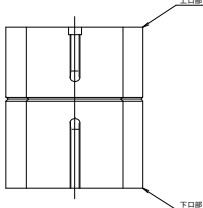
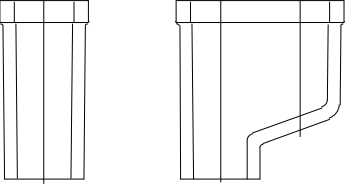
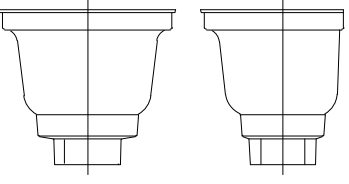
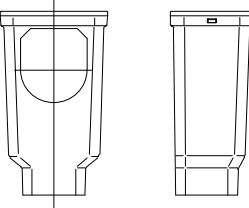
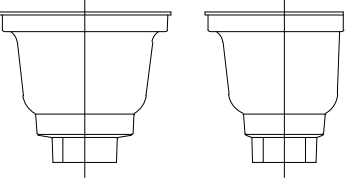
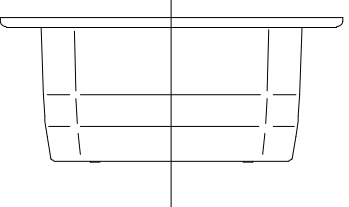
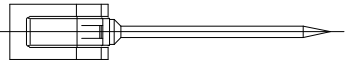
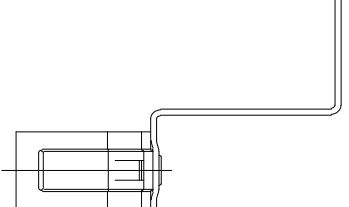
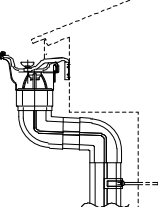
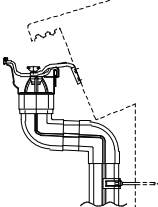
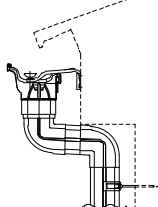
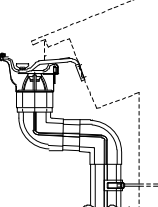
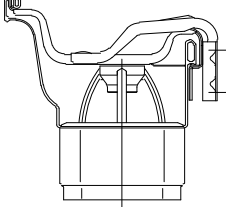
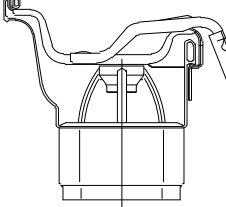
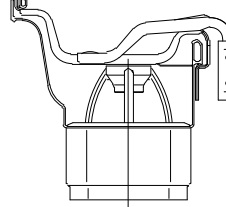
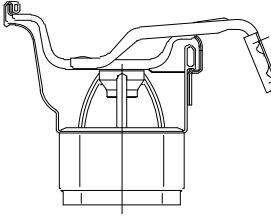
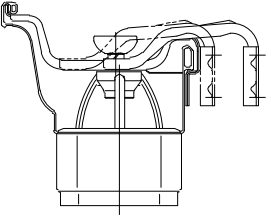
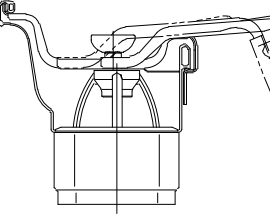
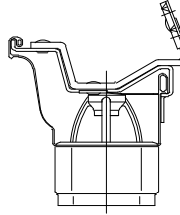
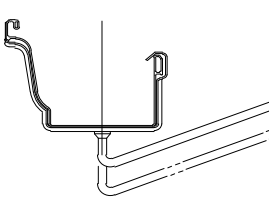
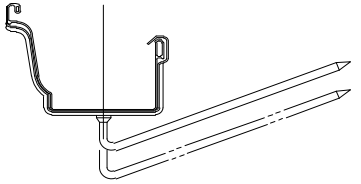
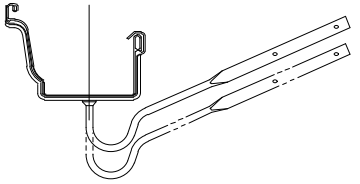
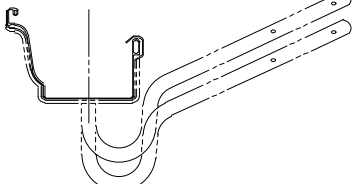
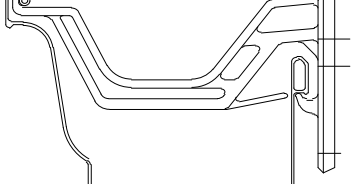
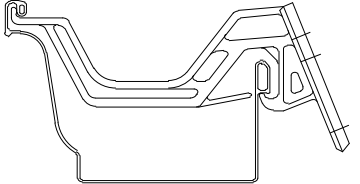
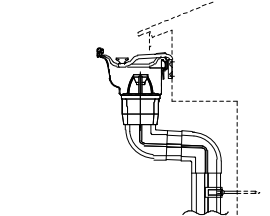
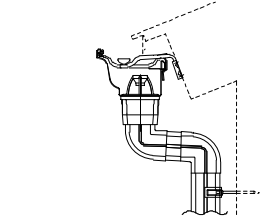
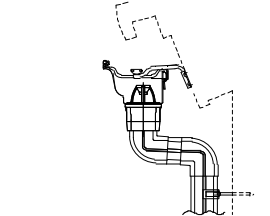
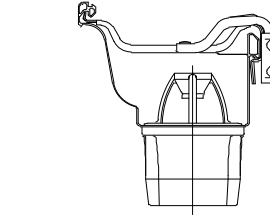
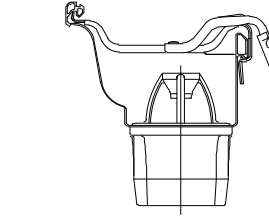
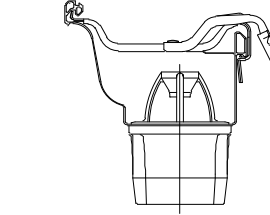
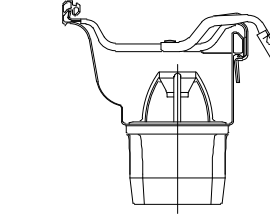
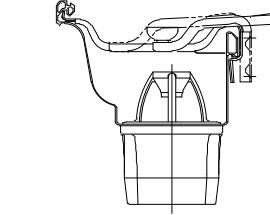
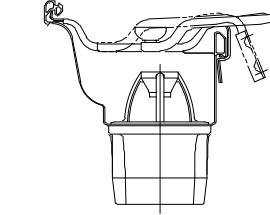
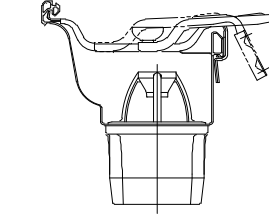
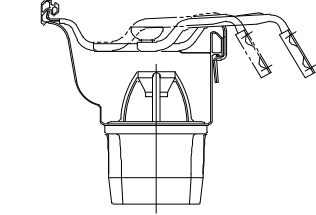
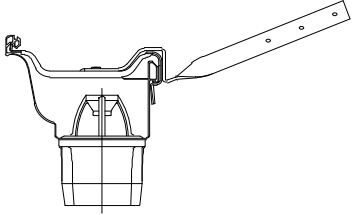
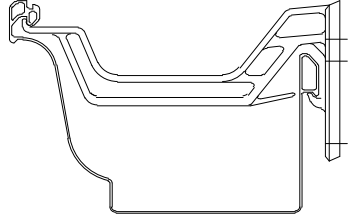
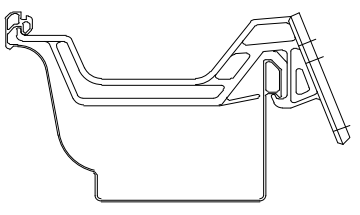
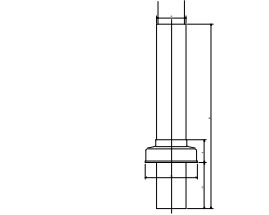
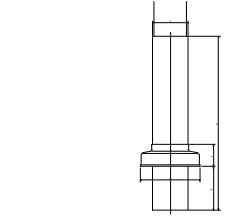
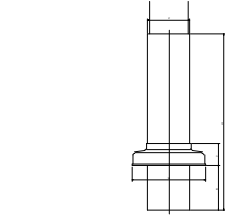
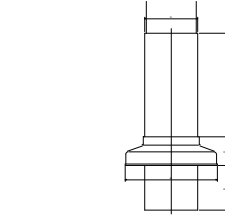
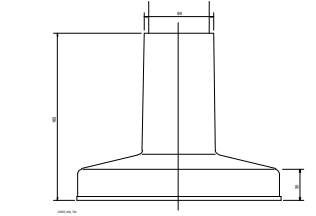
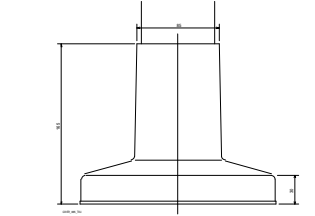
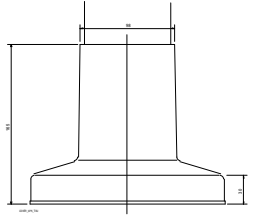
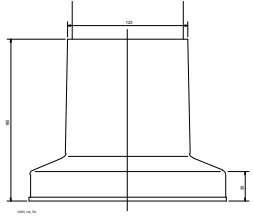
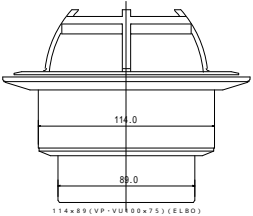
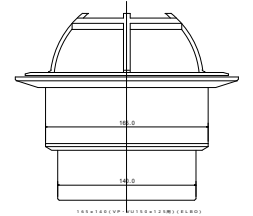
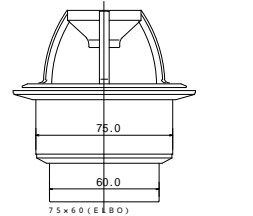
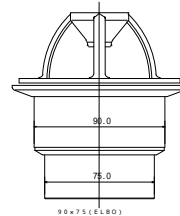
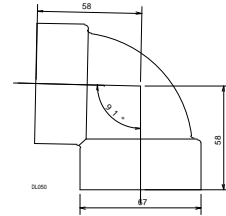
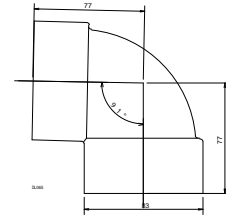
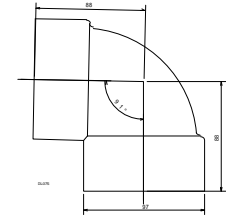
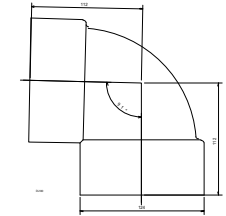
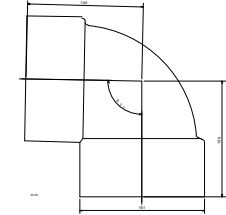
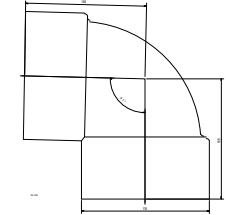
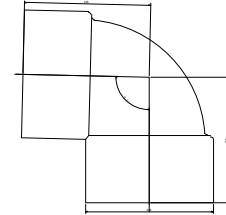

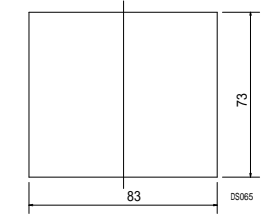
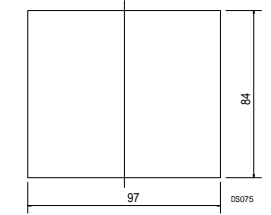

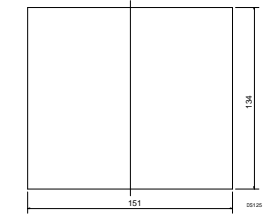
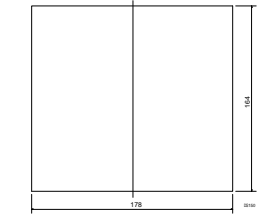
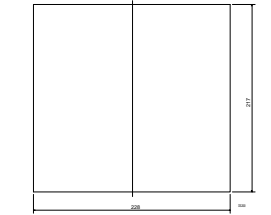
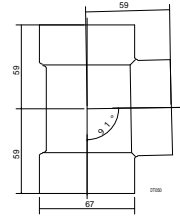
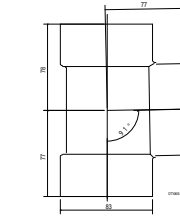
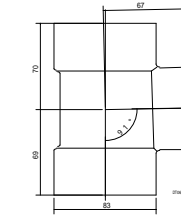
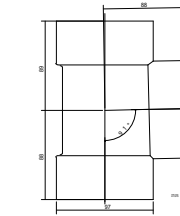
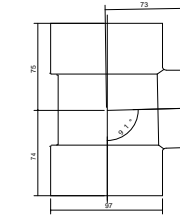


| | | | | |
|--|--|--|--|--|
| <p>100L050.DXF</p>  | <p>100L075.DXF</p>  | <p>100L100.DXF</p>  | <p>10B075.DXF</p>  | <p>10B100.DXF</p>  |
| <p>45L050.DXF</p>  | <p>45L065.DXF</p>  | <p>45L075.DXF</p>  | <p>45L100.DXF</p>  | <p>45L125.DXF</p>  |
| <p>45L150.DXF</p>  | <p>45L200.DXF</p>  | <p>AME1-01.DXF</p>  | <p>AME1-02.DXF</p>  | <p>AME1-03.DXF</p>  |
| <p>AME1-04.DXF</p>  | <p>AME1-05.DXF</p>  | <p>AME1-06.DXF</p>  | <p>AME1-07.DXF</p>  | <p>B121690.DXF</p>  |
| <p>BVPU075.DXF</p>  | <p>BVPU100.DXF</p>  | <p>C30-01.DXF</p>  | <p>C30-02.DXF</p>  | <p>C30-04.DXF</p>  |

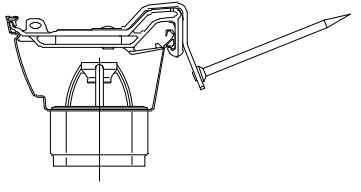
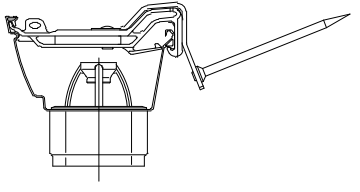
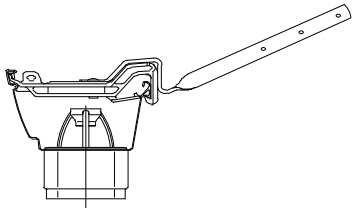
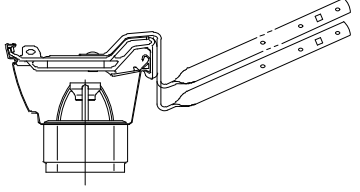
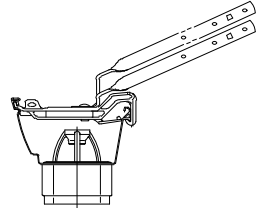
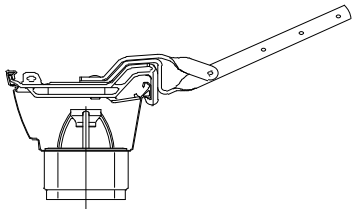
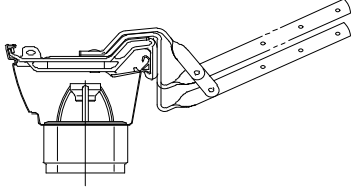
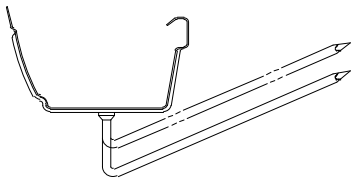
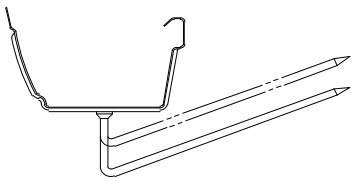
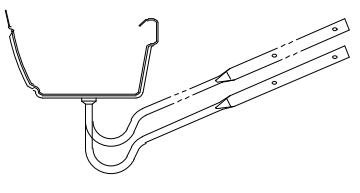
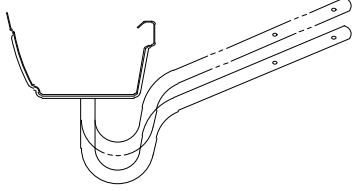
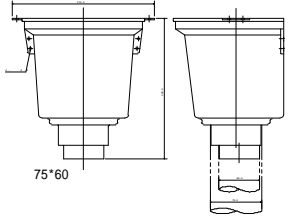
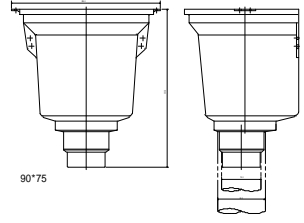
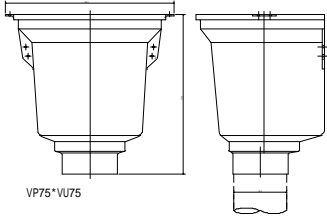
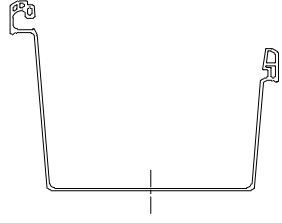
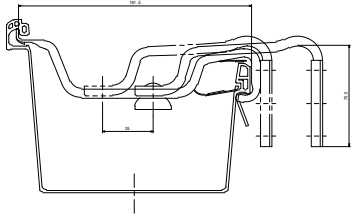
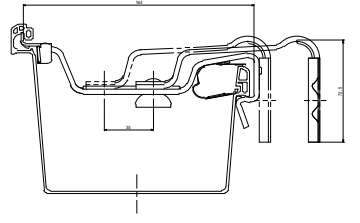
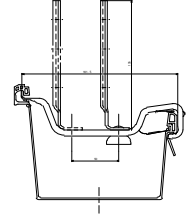
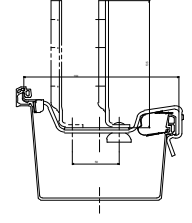
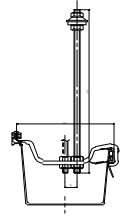
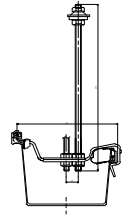
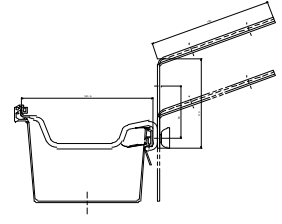
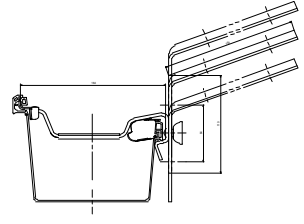
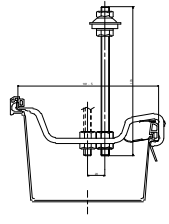
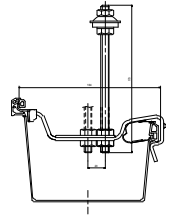
| | | | | |
|---|---|---|---|---|
| C30-05.DXF  | C30-06.DXF  | C30-07.DXF  | C30-08.DXF  | C30-09.DXF  |
| C30-10.DXF  | C30-11.DXF <p>100°での使用状態</p> <p>135°での使用状態</p>  | C30-12.DXF  | C30-13.DXF  | C30-14.DXF  |
| C30-15.DXF  | C30-16.DXF  | C30-17.DXF  | C30-18.DXF  | C30-19.DXF  |
| C30-20.DXF  | C30-21.DXF  | C30-22.DXF  | C50-01.DXF  | C50-02.DXF  |
| C50-03.DXF  | C50-04.DXF  | C50-05.DXF  | C50-06.DXF  | C50-09.DXF  |

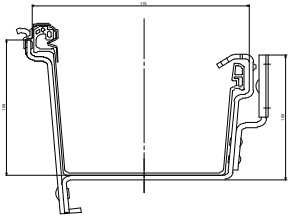
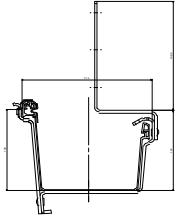
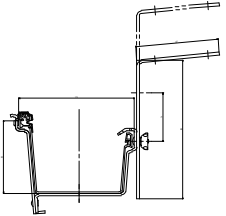
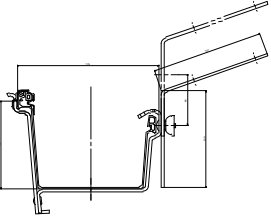
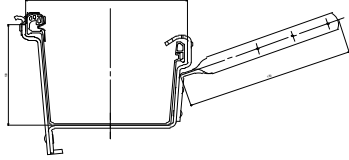
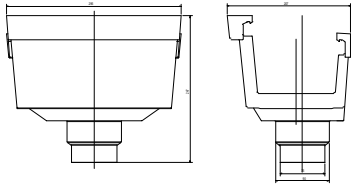
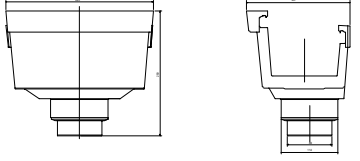
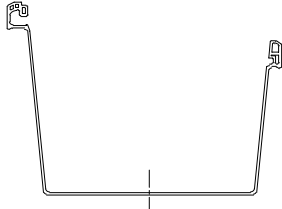
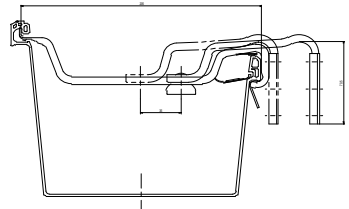
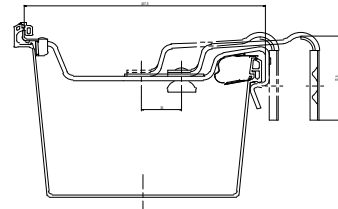
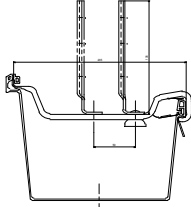
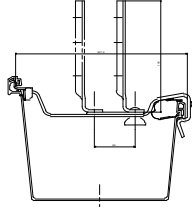
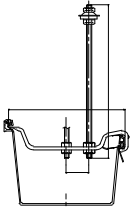
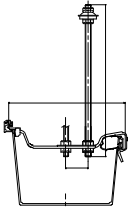
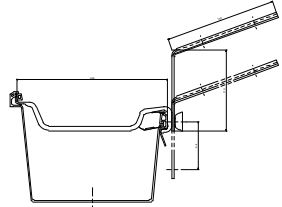
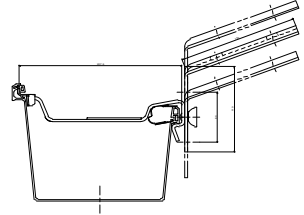
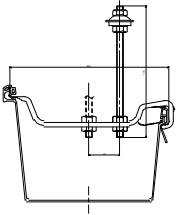
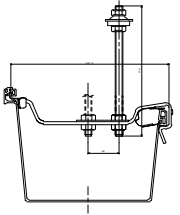
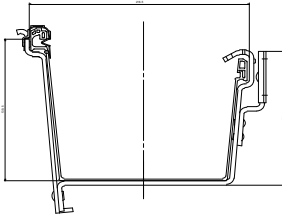
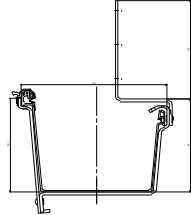
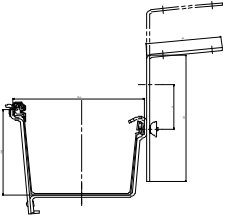
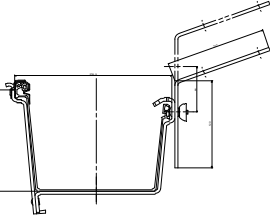
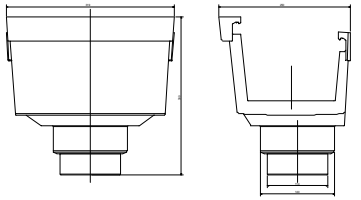
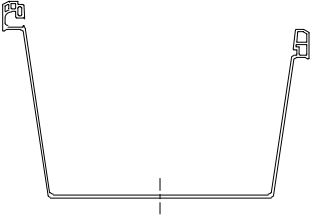
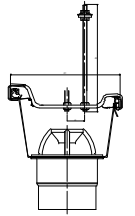
| | | | | |
|---|---|---|---|---|
| C50-10.DXF  | C50-13.DXF  | C50-14.DXF  | C50-17.DXF  | C50-18.DXF  |
| C50-21.DXF  | C50-22.DXF  | C50-25.DXF  | C50-26.DXF  | C50-27.DXF  |
| C50-28.DXF  | C50-29.DXF  | C50-30.DXF  | C50-31.DXF  | C50-32.DXF  |
| C50-33.DXF  | C50-55.DXF  | C50-56.DXF  | C50-57.DXF  | C50-58.DXF  |
| C50-76.DXF  | C50-77.DXF  | C50-80.DXF  | C50-81.DXF  | C50-84.DXF  |

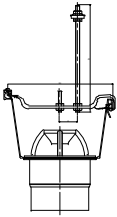
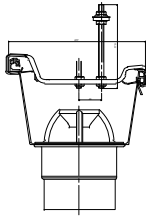
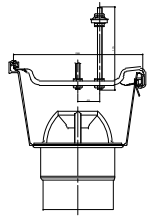
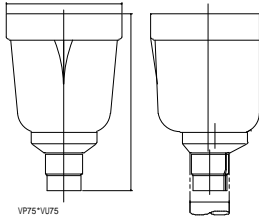
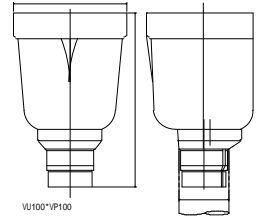
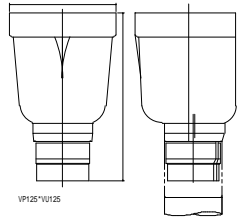
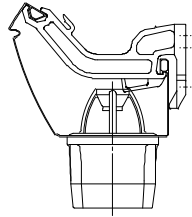
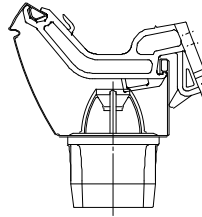
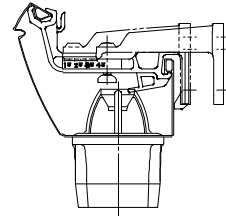
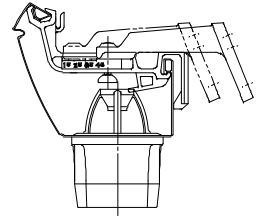
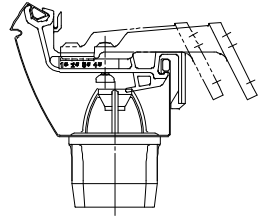
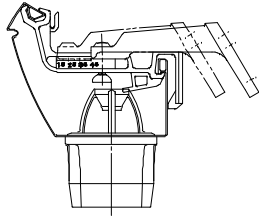
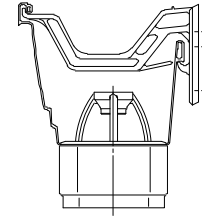
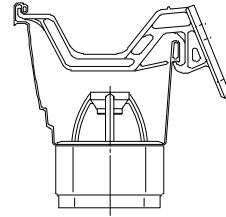
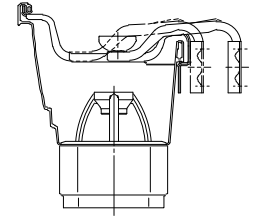
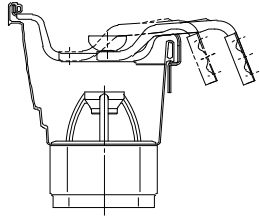
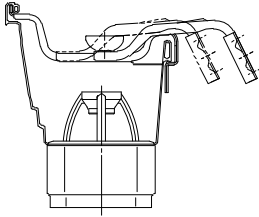
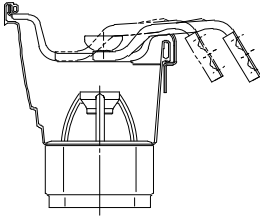
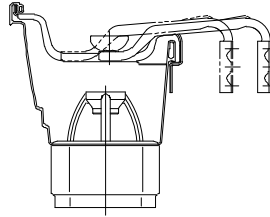
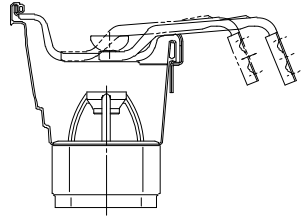
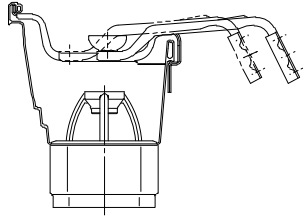
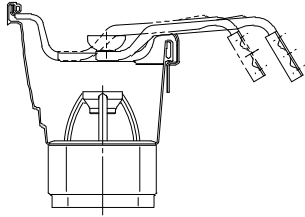
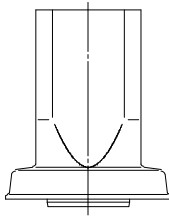
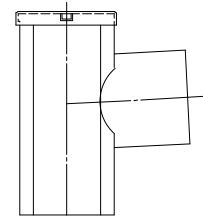
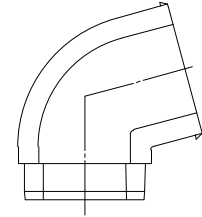
| | | | | |
|---|---|--|---|---|
| C50-85.DXF | C50-86.DXF | C50-87.DXF | C50-88.DXF | C50-89.DXF |
|  |  |  |  |  |
| C77-01.DXF | C77-02.DXF | C77-03.DXF | C77-04.DXF | C77-05.DXF |
|  |  |  |  |  |
| C77-06.DXF | C77-07.DXF | C77-08.DXF | C77-09.DXF | C77-10.DXF |
|  |  |  |  |  |
| C77-11.DXF | C77-12.DXF | C77-47.DXF | C77-48.DXF | CVERP050.DXF |
|  |  |  |  |  |
| CVERP065.DXF | CVERP075.DXF | CVERP100.DXF | CVERT050.DXF | CVERT065.DXF |
|  |  |  |  |  |

| | | | | |
|--|--|--|---|--|
| <p>CVERT075.DXF</p>  | <p>CVERT100.DXF</p>  | <p>D11489.DXF</p>  | <p>D165140.DXF</p>  | <p>D7560.DXF</p>  |
| <p>D9075.DXF</p>  | <p>DL050.DXF</p>  | <p>DL065.DXF</p>  | <p>DL075.DXF</p>  | <p>DL100.DXF</p>  |
| <p>DL125.DXF</p>  | <p>DL150.DXF</p>  | <p>DL200.DXF</p>  | <p>DS050.DXF</p>  | <p>DS065.DXF</p>  |
| <p>DS075.DXF</p>  | <p>DS100.DXF</p>  | <p>DS125.DXF</p>  | <p>DS150.DXF</p>  | <p>DS200.DXF</p>  |
| <p>DT050.DXF</p>  | <p>DT065.DXF</p>  | <p>DT065050.DXF</p>  | <p>DT075.DXF</p>  | <p>DT075050.DXF</p>  |

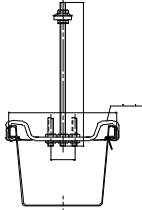
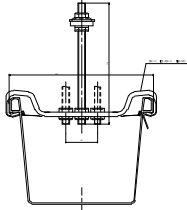
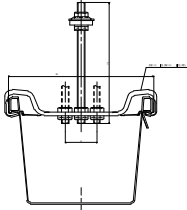
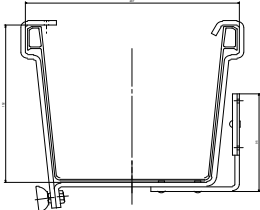
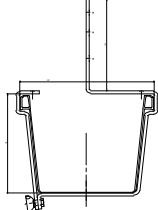
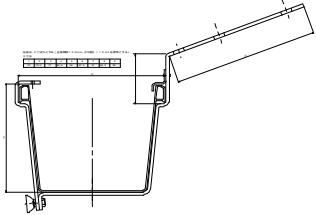
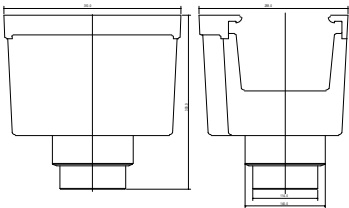
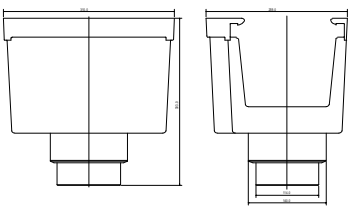

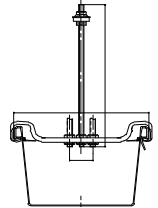
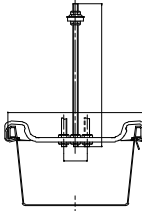
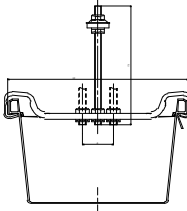
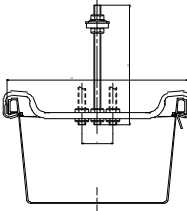
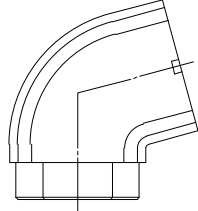
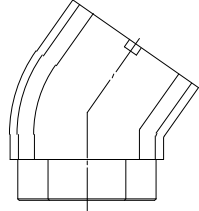
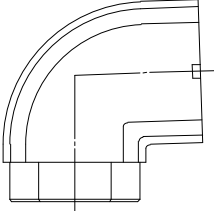
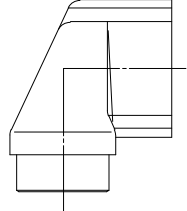
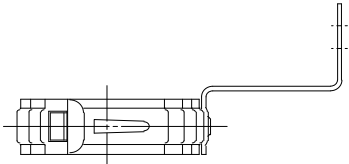
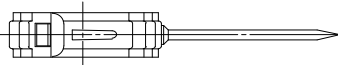
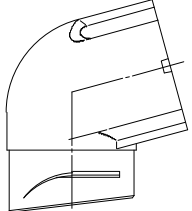
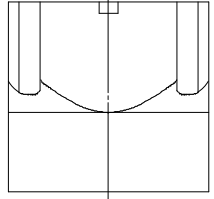
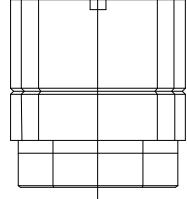
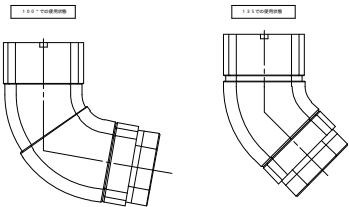

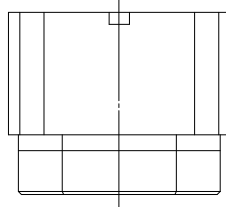
| | | | | |
|---------------------|---------------------|---------------------|---------------------|---------------------|
| <p>HEVA075.DXF</p> | <p>HEVA100.DXF</p> | <p>HIKAE050.DXF</p> | <p>HIKAE065.DXF</p> | <p>HIKAE075.DXF</p> |
| <p>HIKAE100.DXF</p> | <p>IN065050.DXF</p> | <p>IN075065.DXF</p> | <p>IN100075.DXF</p> | <p>IN125100.DXF</p> |
| <p>IN150125.DXF</p> | <p>J70-01.DXF</p> | <p>J70-02.DXF</p> | <p>J70-03.DXF</p> | <p>J70-04.DXF</p> |
| <p>J70-05.DXF</p> | <p>J70-06.DXF</p> | <p>J70-07.DXF</p> | <p>J70-08.DXF</p> | <p>J70-09.DXF</p> |
| <p>J70-10.DXF</p> | <p>J70-11.DXF</p> | <p>J70-12.DXF</p> | <p>J70-13.DXF</p> | <p>J70-14.DXF</p> |

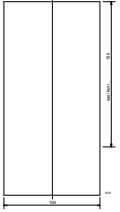
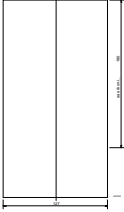
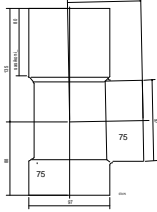
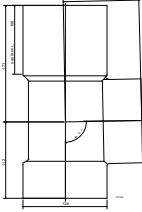
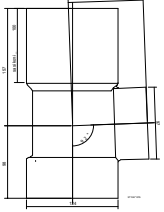
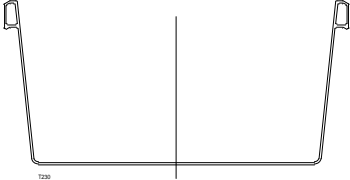
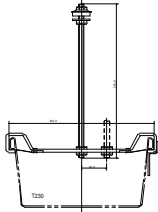
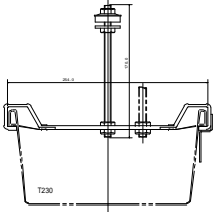
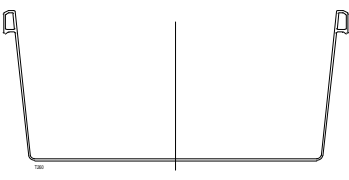
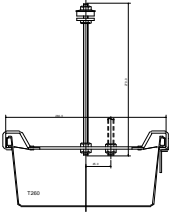
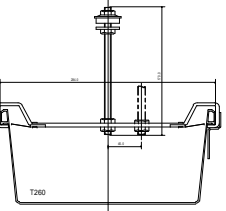
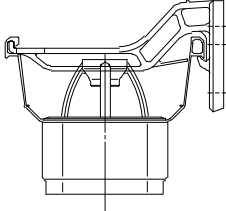
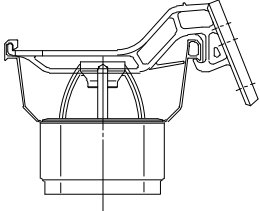
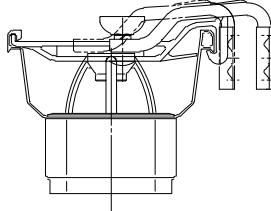
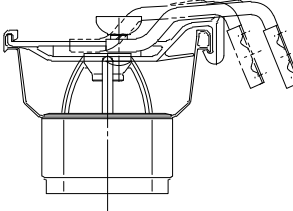
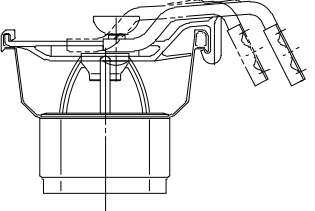
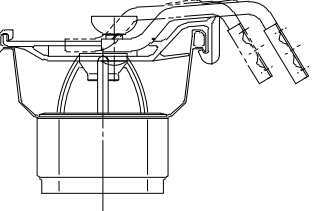
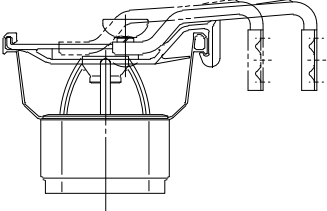
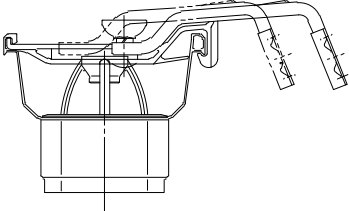
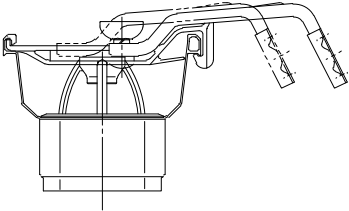
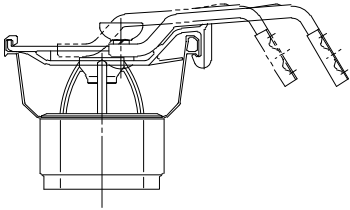
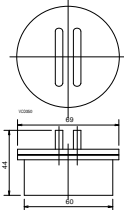
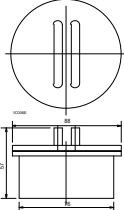
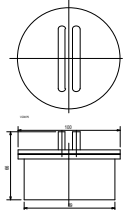
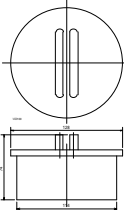
| | | | | |
|--|---|---|---|--|
| J70-15.DXF  | J70-16.DXF  | J70-17.DXF  | J70-18.DXF  | J70-19.DXF  |
| J70-20.DXF  | J70-21.DXF  | J70-27.DXF  | J70-28.DXF  | J70-29.DXF  |
| J70-30.DXF  | K7560.DXF  75*60 | K9075.DXF  90*75 | KVPU075.DXF  VP75*VU75 | M130WN.DXF  |
| M130WTM.DXF  | M130WTMZ.DXF  | M130WTN.DXF  | M130WTNZ.DXF  | M130WTSI.DXF  |
| M130WTSIZ.DXF  | M130WTSR.DXF  | M130WTSRZ.DXF  | M130WTSs.DXF  | M130WTSsZ.DXF  |

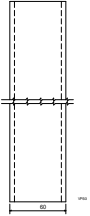
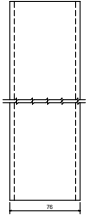
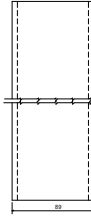
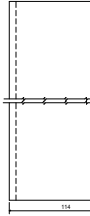
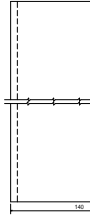
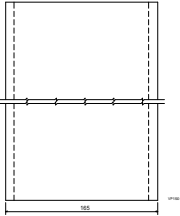
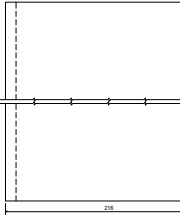
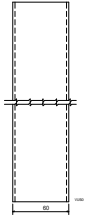
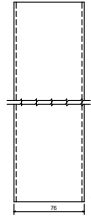
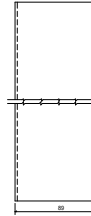
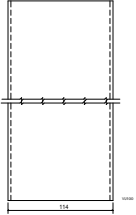
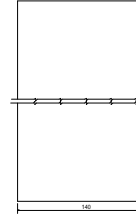
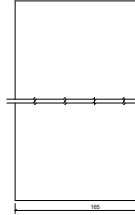
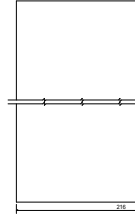
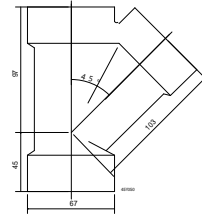
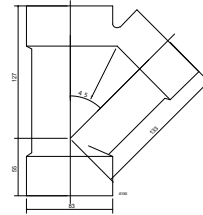
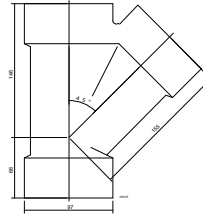
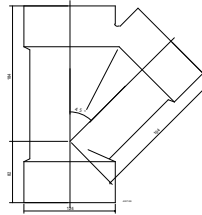
| | | | | |
|--|---|--|--|---|
| M130WUM.DXF  | M130WUN.DXF  | M130WURSR.DXF  | M130WUSR.DXF  | M130WUY.DXF  |
| M13WSU.DXF  | M13WSUJ.DXF  | M165WN.DXF  | M165WTM.DXF  | M165WTMZ.DXF  |
| M165WTN.DXF  | M165WTNZ.DXF  | M165WTSI.DXF  | M165WTSIZ.DXF  | M165WTSR.DXF  |
| M165WTSRZ.DXF  | M165WTSs.DXF  | M165WTSsZ.DXF  | M165WUM.DXF  | M165WUN.DXF  |
| M165WURSR.DXF  | M165WUSR.DXF  | M16WSUJ.DXF  | M20WN.DXF  | M20WTSLS.DXF  |

| | | | | |
|--|--|---|---|--|
| <p>M20WTSU.DXF</p>  | <p>M20WTSSS.DXF</p>  | <p>M20WTSSU.DXF</p>  | <p>MVPU075.DXF</p>  | <p>MVPU100.DXF</p>  |
| <p>MVPU125.DXF</p>  | <p>NF1-K0.DXF</p>  | <p>NF1-K4.DXF</p>  | <p>NF1-S0.DXF</p>  | <p>NF1-S4.DXF</p>  |
| <p>NF1-S5.DXF</p>  | <p>NF1-S6.DXF</p>  | <p>P60-K0.DXF</p>  | <p>P60-K4.DXF</p>  | <p>P60-S10.DXF</p>  |
| <p>P60-S14.DXF</p>  | <p>P60-S15.DXF</p>  | <p>P60-S16.DXF</p>  | <p>P60-S20.DXF</p>  | <p>P60-S24.DXF</p>  |
| <p>P60-S25.DXF</p>  | <p>P60-S26.DXF</p>  | <p>PC30-KHK.DXF</p>  | <p>PC30-KTF.DXF</p>  | <p>PC30-YE.DXF</p>  |

| | | | | |
|-------------------|------------------|-------------------|------------------|-------------------|
| S1201N.DXF | S1201TM.DXF | S1201TMZ.DXF | S1201TNZ.DXF | S1201TSI.DXF |
| S1201TSIZ.DXF | S1201TSR.DXF | S1201TSRZ.DXF | S1201TSs.DXF | S1201TSsZ.DXF |
| S1201UM.DXF | S1201UN.DXF | S1201USR.DXF | S121SU.DXF | S121SUJ.DXF |
| S1501N.DXF | S1501TSI.DXF | S1501TSIZ.DXF | S1501TSs.DXF | S1501TSsZ.DXF |
| S1501UM.DXF | S1501UN.DXF | S1501USR.DXF | S1502N.DXF | S1502TSI.DXF |

| | | | | |
|--|---|--|---|---|
| S1502TSIZ.DXF  | S1502TSs.DXF  | S1502TSsZ.DXF  | S1502UM.DXF  | S1502UN.DXF  |
| S1502USR.DXF  | S151SUJ.DXF  | S152SUJ.DXF  | S2001N.DXF  | S2001TSI.DXF  |
| S2001TSIZ.DXF  | S2001TSs.DXF  | S2001TSsZ.DXF  | S30-E105.DXF  | S30-E145.DXF  |
| S30-E90.DXF  | S30-HE.DXF  | S30-HT.DXF  | S30-HU.DXF  | S30-KE.DXF  |
| S30-KMT.DXF  | S30-KT.DXF  | S30-ME.DXF  | S30-T.DXF  | S30-TT.DXF  |

| | | | | |
|---|---|---|---|---|
| SS075.DXF  | SS100.DXF  | ST075.DXF  | ST100.DXF  | ST100075.DXF  |
| T230N.DXF  | T230TSL.DXF  | T230TSS.DXF  | T260N.DXF  | T260TSL.DXF  |
| T260TSS.DXF  | U105-K0.DXF  | U105-K4.DXF  | U105-S10.DXF  | U105-S14.DXF  |
| U105-S15.DXF  | U105-S16.DXF  | U105-S20.DXF  | U105-S24.DXF  | U105-S25.DXF  |
| U105-S26.DXF  | VCO050.DXF  | VCO065.DXF  | VCO075.DXF  | VCO100.DXF  |

| | | | | |
|---|---|---|--|--|
| <p>VP050.DXF</p>  | <p>VP065.DXF</p>  | <p>VP075.DXF</p>  | <p>VP100.DXF</p>  | <p>VP125.DXF</p>  |
| <p>VP150.DXF</p>  | <p>VP200.DXF</p>  | <p>VU050.DXF</p>  | <p>VU065.DXF</p>  | <p>VU075.DXF</p>  |
| <p>VU100.DXF</p>  | <p>VU125.DXF</p>  | <p>VU150.DXF</p>  | <p>VU200.DXF</p>  | <p>Y050.DXF</p>  |
| <p>Y065.DXF</p>  | <p>Y075.DXF</p>  | <p>Y100.DXF</p>  | | |
| | | | | |