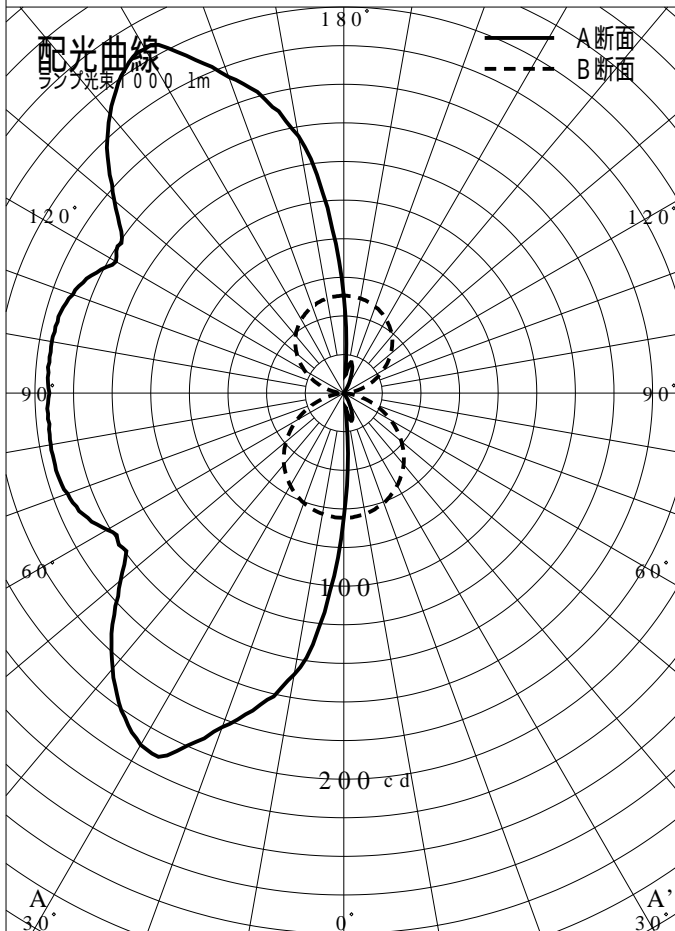
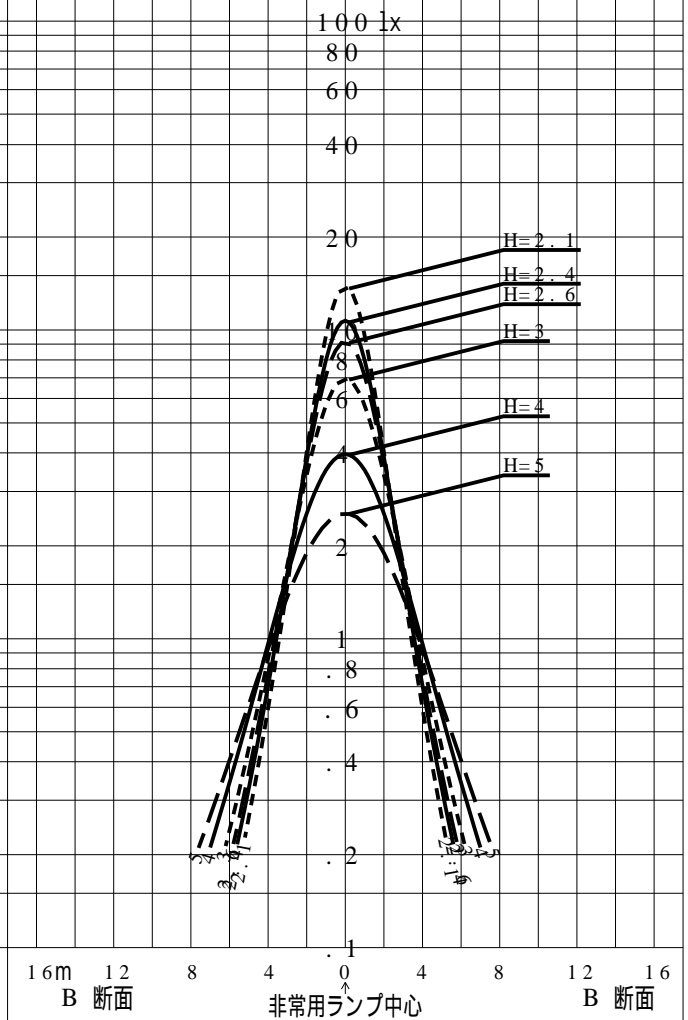


非常用照明器具特性



| | | | |
|------------|--------------------------|--------|--------|
| 品番 | NNFF41860P | | |
| 名称 | | | |
| 光源 | LDL40S. N/ 29/ 38K(790) | | |
| 管理番号 | K0172855(4) DR1 | | |
| 光束 | 790mm x 1.00 | | |
| 保守率 | 0.77 | | |
| 適用品番 | 設計照度Eを得るための読取照度 | | |
| | E= 2.0 | E= 1.0 | E= 0.5 |
| NNFF41860P | 3.3 | 1.6 | 0.8 |
| 備考 | 非常点灯時の照度 (60 分後) | | |



| | | | |
|------|--------------------------|----|-----------------|
| 品番 | NNFF41860P | | |
| 名称 | | | |
| 光源 | LDL40S. N/ 29/ 38K(790) | | |
| 管理番号 | K0172855(4) DR 1 | | |
| 光束 | 790.0 1 m * 1.00 | 備考 | 非常点灯時の照度 (60分後) |
| 保守率 | 0.77 | | |

非常灯配置表

| | | | | | | | | | | | | | | | | | | | | |
|-------------|--|--|--|--|--|--|--|--|--|--|--|--|--|--|--|--|--|--|--|--|
| 器具取付高さ (m) | | | | | | | | | | | | | | | | | | | | |
| 単体配置 | | | | | | | | | | | | | | | | | | | | |
| | | | | | | | | | | | | | | | | | | | | |
| 直線配置 | | | | | | | | | | | | | | | | | | | | |
| 四角配置 | | | | | | | | | | | | | | | | | | | | |
| 壁からの距離 (最大) | | | | | | | | | | | | | | | | | | | | |

| | | | | | | | | | | | | | | | | | | | | |
|-------------|--|--|--|--|--|--|--|--|--|--|--|--|--|--|--|--|--|--|--|--|
| 器具取付高さ (m) | | | | | | | | | | | | | | | | | | | | |
| 単体配置 | | | | | | | | | | | | | | | | | | | | |
| | | | | | | | | | | | | | | | | | | | | |
| 直線配置 | | | | | | | | | | | | | | | | | | | | |
| 四角配置 | | | | | | | | | | | | | | | | | | | | |
| 壁からの距離 (最大) | | | | | | | | | | | | | | | | | | | | |

| | | | | | | | | | | | | | | | | | | | | |
|-------------|--|--|--|--|--|--|--|--|--|--|--|--|--|--|--|--|--|--|--|--|
| 器具取付高さ (m) | | | | | | | | | | | | | | | | | | | | |
| 単体配置 | | | | | | | | | | | | | | | | | | | | |
| | | | | | | | | | | | | | | | | | | | | |
| 直線配置 | | | | | | | | | | | | | | | | | | | | |
| 四角配置 | | | | | | | | | | | | | | | | | | | | |
| 壁からの距離 (最大) | | | | | | | | | | | | | | | | | | | | |

階段配置表

| | | | | | | | | | | | | | | | | | | | | | |
|------------|--------|----|-----|-----|-----|-----|-----|-----|-----|--|--|--|--|--|--|--|--|--|--|--|--|
| 器具取付高さ (m) | | | 1.0 | 1.5 | 2.0 | 2.5 | 3.0 | 4.0 | | | | | | | | | | | | | |
| Y=1.0 (m) | 2.0 Lx | X+ | 3.2 | 3.6 | 3.7 | 3.8 | 3.9 | 4.1 | | | | | | | | | | | | | |
| | | X- | 0.2 | 0.1 | 0.1 | 0.1 | 0.1 | 0.1 | 0.0 | | | | | | | | | | | | |
| | 1.0 Lx | X+ | 4.2 | 4.8 | 5.1 | 5.4 | 5.5 | 5.5 | | | | | | | | | | | | | |
| | | X- | 2.9 | 3.3 | 3.5 | 3.6 | 3.7 | | | | | | | | | | | | | | |
| Y=1.5 (m) | 2.0 Lx | X+ | 0.1 | 0.1 | 0.1 | 0.1 | 0.1 | | | | | | | | | | | | | | |
| | | X- | 4.0 | 4.6 | 5.0 | 5.2 | 5.3 | | | | | | | | | | | | | | |
| Y=2.0 (m) | | X+ | | | | | | | | | | | | | | | | | | | |
| | | X- | | | | | | | | | | | | | | | | | | | |